

CABLE 375 RF: I-PEX MHF + SMA STRAIGHT BULKHEAD JACK WITH O-RING RATED TO IP67/68 + MULTIPLE CABLE OPTIONS, 6GHz

SPECIFICATIONS :

- I-PEX MHF PLUG, P/N:
20278-112R-08 (FOR $\phi 0.81$ MM CABLE)
20278-112R-13 (FOR $\phi 1.13$ MM CABLE)
20278-112R-18 (FOR RG178 CABLE)
- COAXIAL CABLE, SEE P/N OPTIONS.
- SMA STRAIGHT BULKHEAD JACK WITH O-RING RATED TO IP67/68, P/N:
FOR $\phi 0.81$ MM CABLE: RFCT-SMA108-F08.
FOR $\phi 1.13$ MM & RG178 CABLE: RFCT-SMA069-F78.

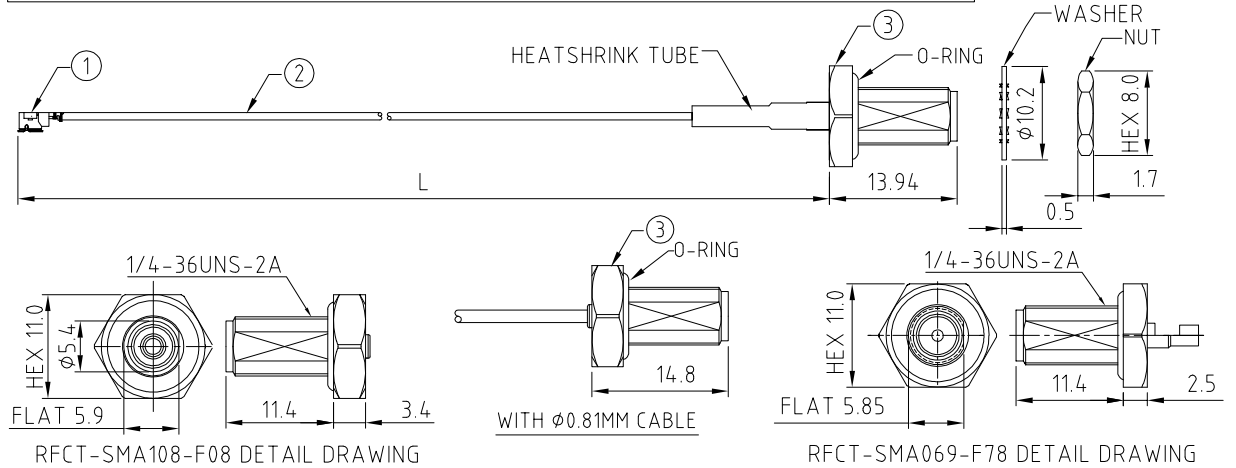
USAGE PRECAUTIONS: CABLES USING 'MICRO' COAX ARE DELICATE:
 (i) HANDLE WITH CARE.
 (ii) DO NOT TWIST; APPLY EXCESSIVE FORCES OR SHARP BENDS TO THE CABLE. DO NOT FORCEFULLY DEFORM WIRES.
 (iii) CONSULT CONNECTOR MANUFACTURER'S DATASHEETS FOR DETAILED NOTES ON HANDLING INSTRUCTIONS.

ENVIRONMENTAL:

- A. BULKHEAD MOUNTED CONNECTOR (RFCT-SMA108-F08 & RFCT-SMA069-F78) RATED TO THE FOLLOWING SPECIFICATION:
- IP6X - DUST TIGHT - NO PARTICLE INGRESS.
 - IPX7 WATERPROOF FOR 30 MINUTES UP TO 1 METER UNDERWATER.
 - IPX8 WATERPROOF FOR 48 HOURS AT 1 METER UNDERWATER.

NOTES:

- THE ORIENTATION OF CONNECTORS ON DRAWING IS FOR REFERENCE ONLY, IF THE ORDER IS LEFT BLANK THE CONNECTOR WILL NOT HAVE FIXED ORIENTATION.
- FIXED ORIENTATION IS SUGGESTED FOR CABLE LENGTH 50MM TO 100MM. PLEASE SPECIFY THE FIXED ORIENTATIONS FROM THE ORDER CODE (F1, F2, ETC)
- CONTACT GRADCONN IF THE ORIENTATION YOU REQUIRE IS NOT SHOWN.
- WORKING FREQUENCY RANGE: DC-6GHz.
- OPERATING TEMPERATURE: $-40^{\circ}\text{C} \sim +85^{\circ}\text{C}$.
- IMPEDANCE: 50 Ohm.



HOW TO ORDER

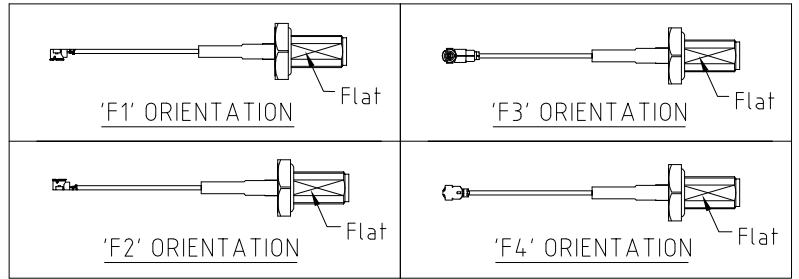
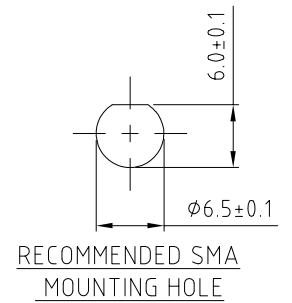
CABLE 375 RF - X X X - X X - X - X

"L" LENGTH IN MM:
 eg: 100MM = 100
 (MIN. 050-MAX.400)
 STANDARD = 100, 150, 200
 Tolerance: 50-200mm: ± 5 mm.
 201-400mm: ± 7 mm.

CABLE SIZE OPTIONS:
 1 = $\phi 0.81$ MM CABLE, COLOR: GREY
 2 = $\phi 1.13$ MM CABLE, COLOR: GREY
 3 = RG178 CABLE, COLOR: BROWN

WASHER AND NUT OPTIONS:
 BLANK = SEPARATELY PACKED (STANDARD)
 A = ASSEMBLED WITH CONNECTOR

ORIENTATION OPTIONS:
 BLANK = DOES NOT HAVE A FIXED ORIENTATION
 F1 = MHF CONNECTION DOWN (L=50-200MM)
 F2 = MHF CONNECTION UP (L=50-200MM)
 F3 = MHF CONNECTION AND D FLAT SAME ORIENTATION (L=50-200MM)
 F4 = MHF CONNECTION AND D FLAT OPPOSITE ORIENTATION (L=50-200MM)
 (SEE NOTES 1, 2, 3 AND DIAGRAMS FOR MORE INFORMATION)



REV.	DATE & DRN
10	10/07/20 - NYW RELEASE
11	06/02/20 - AJO
12	06/02/20 - NYW
13	14/07/20 - NYW
14	06/02/23 - NYW
15	06/02/23 - NYW

Scale: NTS	THIRD ANGLE	Unstated X XX XXX ANGLES	Tolerances: N/A N/A N/A N/A
Drawn: NYW			
App'd: XXX	Title CABLE ASSEMBLY		
Date: 8 AUG '23	Revision: 15	Unit: mm	

IP67/68 Rated Cables

www.gradconn.com

Type: Cable 375 RF
CABLE 375 RF
Drawing Number:
Sheet 1 of 1
Drawing © E and O E