

**WRAP AROUND LABEL DETAIL**  
(25MM X 25MM TEXT AREA)

MOLEX  
PART NO.  
SERIAL NO.  
BARCODE

FORMAT: YY DDD L SSSS  
(SEE NOTE 5)

- NOTES:
- MATERIALS:**  
HOUSING: LIQUID CRYSTAL POLYMER 94V-0, COLOR BLACK  
OVERMOLD: THERMOPLASTIC POLYAMIDE HOT MELT  
CONTACT MATERIAL: COPPER ALLOY  
CABLE WRAP: WOVEN POLYESTER FIBER, BLACK  
CABLE SPINE: PC/ABS, COLOR: BLUE, PMS: 641
  - CONTACT PLATING: GOLD OVER NICKEL
  - CABLE: 30AWG 90OHM TWINAX
  - RoHS COMPLIANT, NO EXEMPTIONS
  - SERIAL NO. AND BARCODE DEFINITION IS AS FOLLOWS:  
YY = YEAR  
DDD = DAY  
L = LOCATION ( 1 = USA, 2 = MEXICO )  
SSSS = SERIAL NO. FROM 0000 - 9999 AND WILL RESET EVERYDAY
  - CABLE ORGANIZER ONLY USED FOR SHIPPING AND IDENTIFICATION PURPOSES.
  - COLOR WRAP START TO BE LOCATED NO MORE THAN 2MM DIRECTLY BEHIND THE IMPEL AND THE STRAIN RELIEF OF THE ZQSFP.
  - NO EXPOSED TWINAX ALLOWED.
  - ACETATE TAPE TO BE USED TO COVER EXPOSED TWINAX FOR BREAKOUT OF LARGE WOVEN WRAP TO INDIVIDUAL ZQSFP CABLES.

SYMBOLS	THIS DRAWING CONTAINS INFORMATION THAT IS PROPRIETARY TO MOLEX ELECTRONIC TECHNOLOGIES, LLC AND SHOULD NOT BE USED WITHOUT WRITTEN PERMISSION		CURRENT REV DESC:		<b>molex</b>
	DIMENSION UNITS	SCALE			
▽ = 0	mm	1:1			ZQSFP TO IMPEL CABLE HARNESS ASSY OPEN19
▽ = 0	GENERAL TOLERANCES (UNLESS SPECIFIED)		EC NO: 635252		PRODUCT CUSTOMER DRAWING
▽ = 0	ANGULAR TOL	± °	DRWN: RWHIPPLE	2020/03/31	
▽ = 0	4 PLACES	±	CHK'D: SMILLER	2020/04/02	DOCUMENT NUMBER
▽ = 0	3 PLACES	±	APPR: SMILLER	2020/04/02	
▽ = 0	2 PLACES	± 0.13	INITIAL REVISION:		DOC TYPE
▽ = 0	1 PLACE	±	DRWN: MPETROVICH	2019/05/21	PSD
▽ = 0	0 PLACES	±	APPR: SMILLER	2019/08/05	000
□ = 0	DRAFT WHERE APPLICABLE MUST REMAIN WITHIN DIMENSIONS		THIRD ANGLE PROJECTION	DRAWING	REVISION
▽ = 0			D-SIZE	SERIES	C2
			203387	MATERIAL NUMBER	CUSTOMER
				2033879200	SHEET NUMBER
					1 OF 3

BLUE		S01
ZQSFP+	SIGNAL	IMPEL
-	-	A1
-	-	B1
-	-	C1
-	-	D1
18	Rx1-	E1
17	Rx1+	F1
37	Tx1-	G1
36	Tx1+	H1
-	-	A2
-	-	B2
-	-	C2
-	-	D2
21	Rx2-	E2
22	Rx2+	F2
2	Tx2-	G2
3	Tx2+	H2

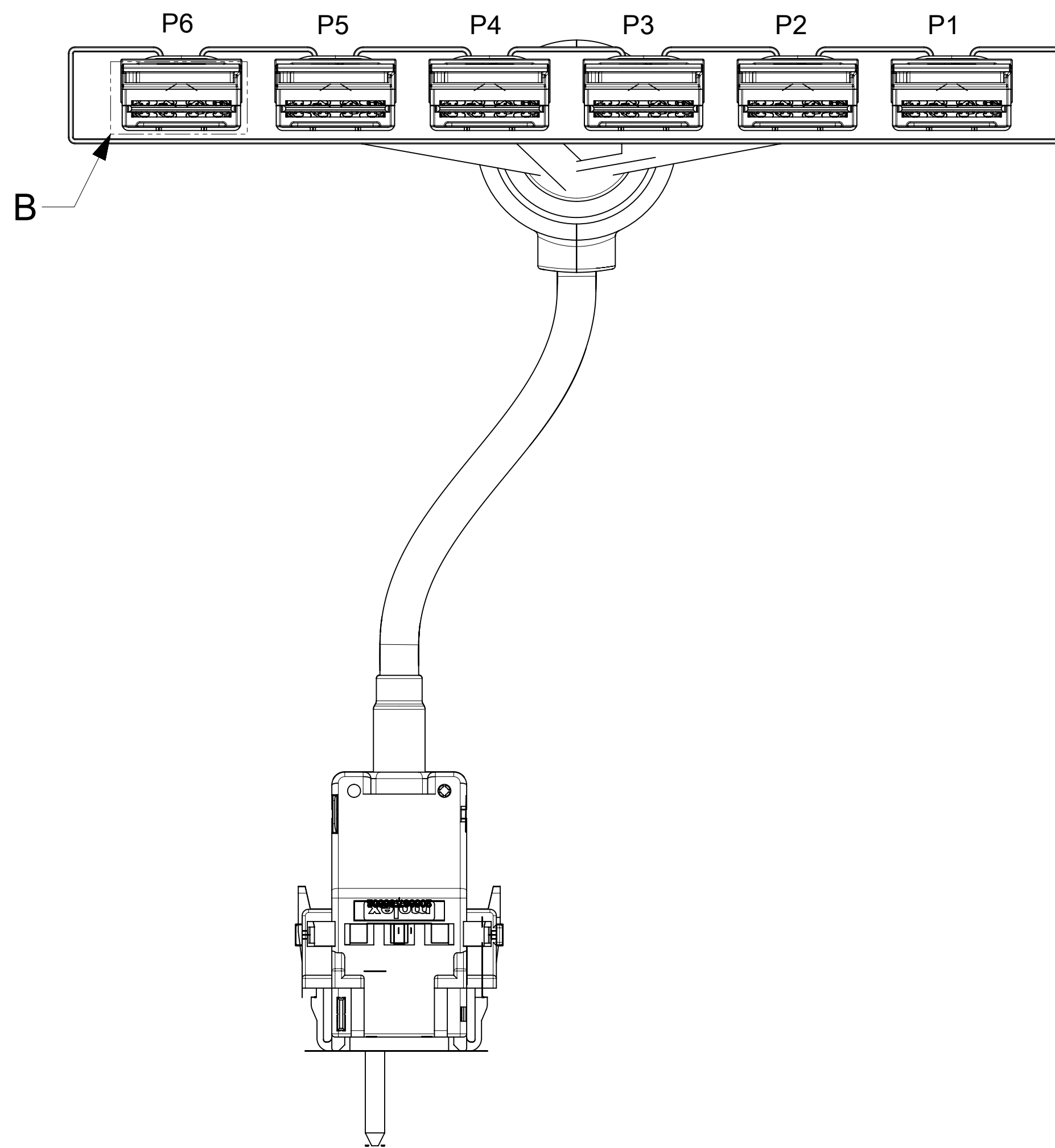
BLUE		S02
ZQSFP+	SIGNAL	IMPEL
-	-	A1
-	-	B1
-	-	C1
-	-	D1
15	Rx3-	E1
14	Rx3+	F1
34	Tx3-	G1
33	Tx3+	H1
-	-	A2
-	-	B2
-	-	C2
-	-	D2
24	Rx4-	E2
25	Rx4+	F2
5	Tx4-	G2
6	Tx4+	H2

GREEN		S03
ZQSFP+	SIGNAL	IMPEL
-	-	A1
-	-	B1
-	-	C1
-	-	D1
18	Rx5-	E1
17	Rx5+	F1
37	Tx5-	G1
36	Tx5+	H1
-	-	A2
-	-	B2
-	-	C2
-	-	D2
21	Rx6-	E2
22	Rx6+	F2
2	Tx6-	G2
3	Tx6+	H2

GREEN		S04
ZQSFP+	SIGNAL	IMPEL
-	-	A1
-	-	B1
-	-	C1
-	-	D1
15	Rx7-	E1
14	Rx7+	F1
34	Tx7-	G1
33	Tx7+	H1
-	-	A2
-	-	B2
-	-	C2
-	-	D2
24	Rx8-	E2
25	Rx8+	F2
5	Tx8-	G2
6	Tx8+	H2

ORANGE		S05
ZQSFP+	SIGNAL	IMPEL
-	-	A1
-	-	B1
-	-	C1
-	-	D1
18	Rx9-	E1
17	Rx9+	F1
37	Tx9-	G1
36	Tx9+	H1
-	-	A2
-	-	B2
-	-	C2
-	-	D2
21	Rx10-	E2
22	Rx10+	F2
2	Tx10-	G2
3	Tx10+	H2

ORANGE		S06
ZQSFP+	SIGNAL	IMPEL
-	-	A1
-	-	B1
-	-	C1
-	-	D1
15	Rx11-	E1
14	Rx11+	F1
34	Tx11-	G1
33	Tx11+	H1
-	-	A2
-	-	B2
-	-	C2
-	-	D2
24	Rx12-	E2
25	Rx12+	F2
5	Tx12-	G2
6	Tx12+	H2



PINK		S07
ZQSFP+	SIGNAL	IMPEL
-	-	A1
-	-	B1
-	-	C1
-	-	D1
18	Rx13-	E1
17	Rx13+	F1
37	Tx13-	G1
36	Tx13+	H1
-	-	A2
-	-	B2
-	-	C2
-	-	D2
21	Rx14-	E2
22	Rx14+	F2
2	Tx14-	G2
3	Tx14+	H2

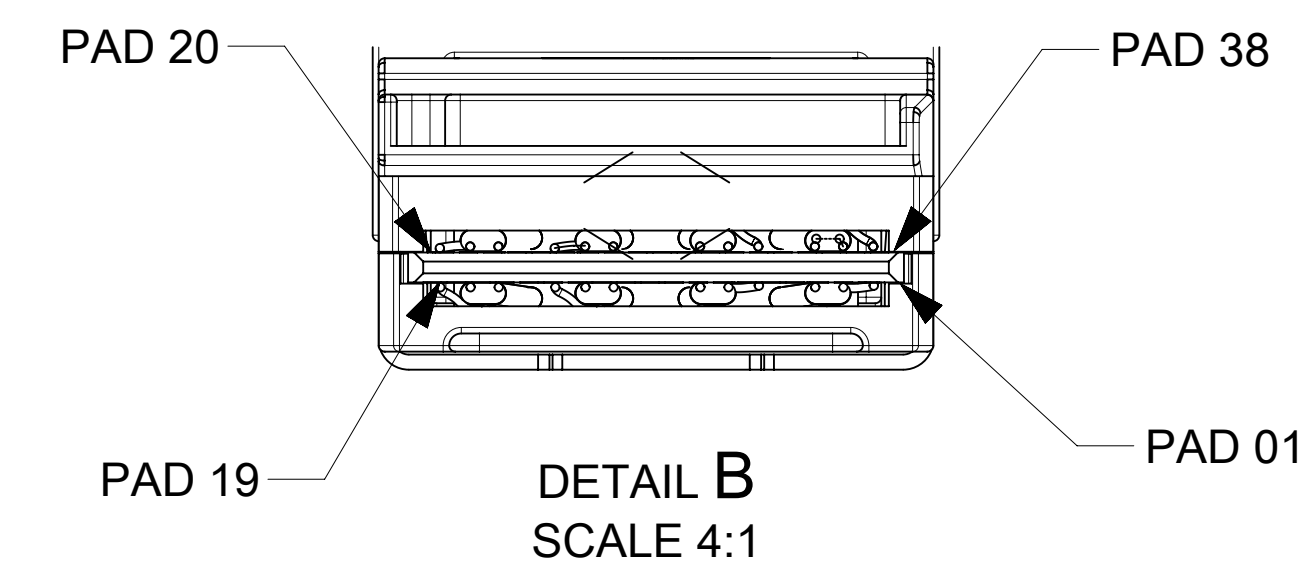
PINK		S08
ZQSFP+	SIGNAL	IMPEL
-	-	A1
-	-	B1
-	-	C1
-	-	D1
15	Rx15-	E1
14	Rx15+	F1
34	Tx15-	G1
33	Tx15+	H1
-	-	A2
-	-	B2
-	-	C2
-	-	D2
24	Rx16-	E2
25	Rx16+	F2
5	Tx16-	G2
6	Tx16+	H2

YELLOW		S09
ZQSFP+	SIGNAL	IMPEL
-	-	A1
-	-	B1
-	-	C1
-	-	D1
18	Rx17-	E1
17	Rx17+	F1
37	Tx17-	G1
36	Tx17+	H1
-	-	A2
-	-	B2
-	-	C2
-	-	D2
21	Rx18-	E2
22	Rx18+	F2
2	Tx18-	G2
3	Tx18+	H2

YELLOW		S10
ZQSFP+	SIGNAL	IMPEL
-	-	A1
-	-	B1
-	-	C1
-	-	D1
15	Rx19-	E1
14	Rx19+	F1
34	Tx19-	G1
33	Tx19+	H1
-	-	A2
-	-	B2
-	-	C2
-	-	D2
24	Rx20-	E2
25	Rx20+	F2
5	Tx20-	G2
6	Tx20+	H2

PURPLE		S11
ZQSFP+	SIGNAL	IMPEL
-	-	A1
-	-	B1
-	-	C1
-	-	D1
18	Rx21-	E1
17	Rx21+	F1
37	Tx21-	G1
36	Tx21+	H1
-	-	A2
-	-	B2
-	-	C2
-	-	D2
21	Rx22-	E2
22	Rx22+	F2
2	Tx22-	G2
3	Tx22+	H2

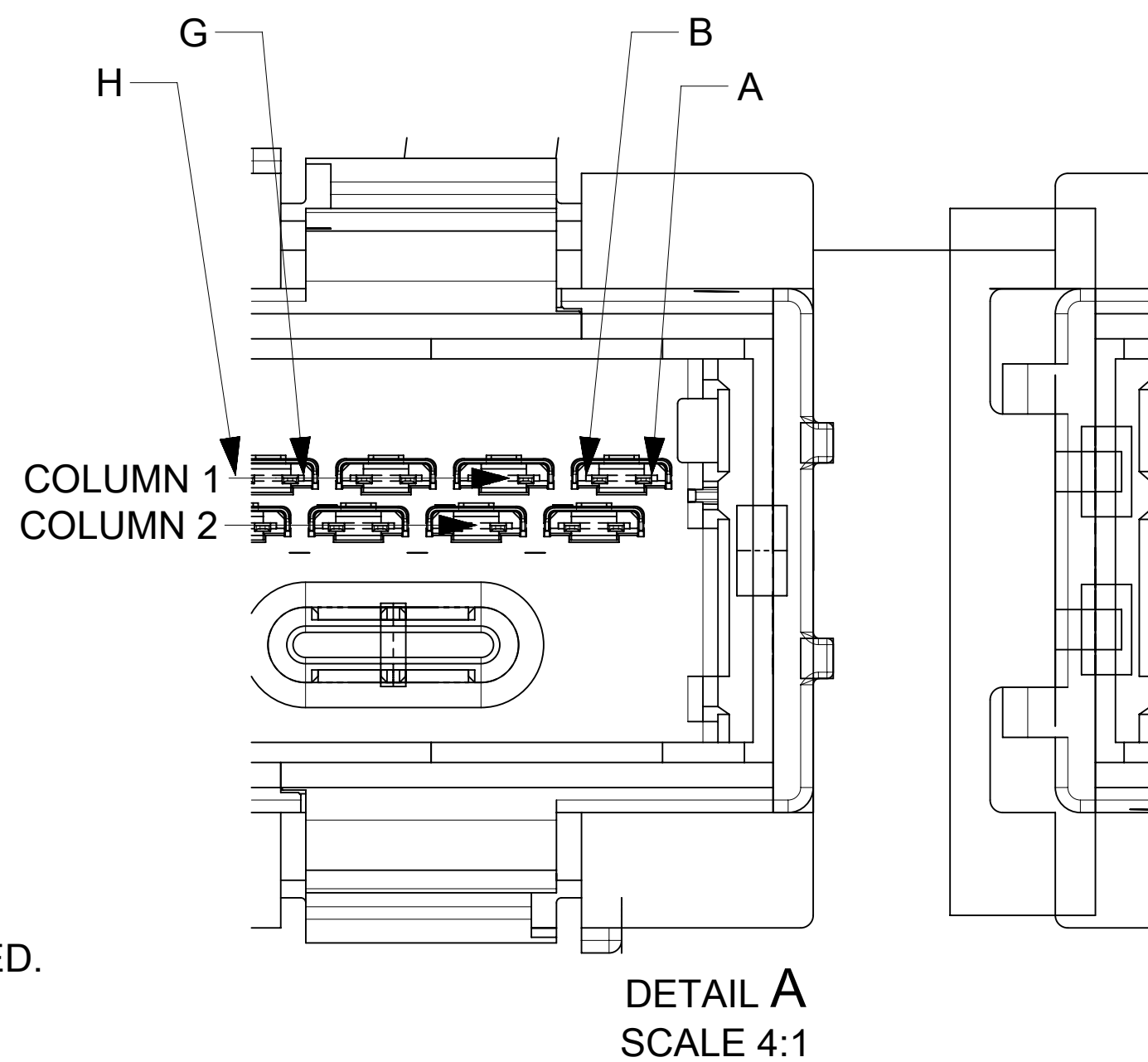
PURPLE		S12
ZQSFP+	SIGNAL	IMPEL
-	-	A1
-	-	B1
-	-	C1
-	-	D1
15	Rx23-	E1
14	Rx23+	F1
34	Tx23-	G1
33	Tx23+	H1
-	-	A2
-	-	B2
-	-	C2
-	-	D2
24	Rx24-	E2
25	Rx24+	F2
5	Tx24-	G2
6	Tx24+	H2



\*SERVER PINOUT IS REPEATED FOR S01-S12

	Column 2	Column 1
H	Tx2+	Tx1+
G	Tx2-	Tx1-
F	Rx2+	Rx1+
E	Rx2-	Rx1-
D	-	-
C	-	-
B	-	-
A	-	-

NOTE:  
A1, B1, C1, D1 AND A2, B2, C2, D2 ON IMPEL END ARE "OPEN CIRCUIT" IN CABLE HEADER.  
LABELING IS ONLY ON THE ORGANIZER, WHICH IS REMOVED DURING INSTALLATION.  
THE COLORS ON THE PRODUCT ARE THE ONLY LABELING AFTER THE ORGANIZER IS REMOVED.



SYMBOLS	THIS DRAWING CONTAINS INFORMATION THAT IS PROPRIETARY TO MOLEX ELECTRONIC TECHNOLOGIES, LLC AND SHOULD NOT BE USED WITHOUT WRITTEN PERMISSION		CURRENT REV DESC:	
	DIMENSION UNITS	SCALE		
▽ = 0	mm	1.5:1		
▽ = 0	GENERAL TOLERANCES (UNLESS SPECIFIED)			
▽ = 0	ANGULAR TOL	± °		
▽ = 0	4 PLACES	±		
▽ = 0	3 PLACES	±		
▽ = 0	2 PLACES	± 0.13		
▽ = 0	1 PLACE	±		
▽ = 0	0 PLACES	±		
■ = 0	DRAFT WHERE APPLICABLE MUST REMAIN WITHIN DIMENSIONS		THIRD ANGLE PROJECTION	
▽ = 0			DRAWING	SERIES
			D-SIZE	203387
EC NO: 635252		2020/03/31		ZQSFP TO IMPEL CABLE HARNESS ASSY OPEN19
DRWN: RWHIPPLE		2020/04/02		
CHK'D: SMILLER		2020/04/02		PRODUCT CUSTOMER DRAWING
APPR: SMILLER		2020/04/02		
INITIAL REVISION:				DOCUMENT NUMBER
DRWN: MPETROVICH		2019/05/21		
APPR: SMILLER		2019/08/05		DOC TYPE
2033879200		PSD 000 C2		DOC PART
MATERIAL NUMBER		CUSTOMER		SHEET NUMBER
2033879200				
				2 OF 3

