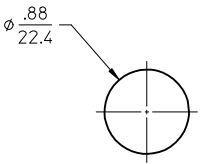
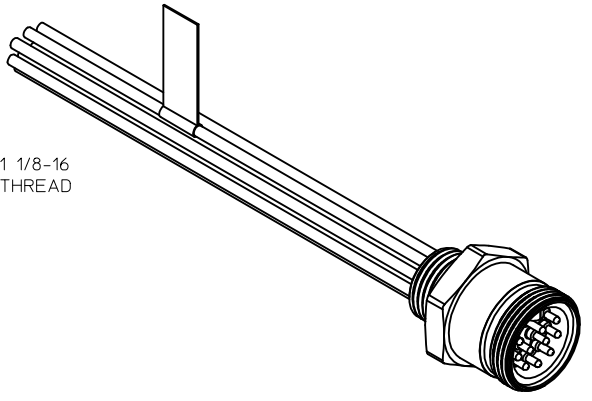
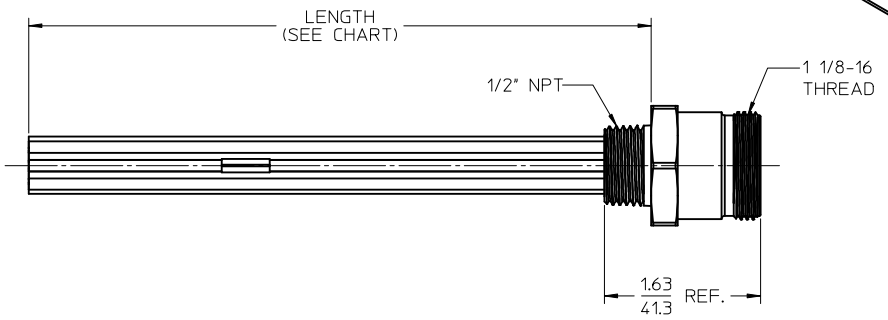


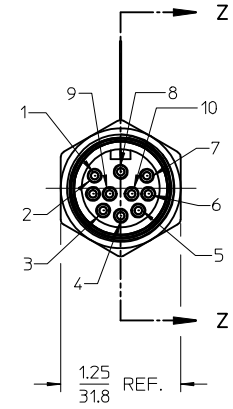
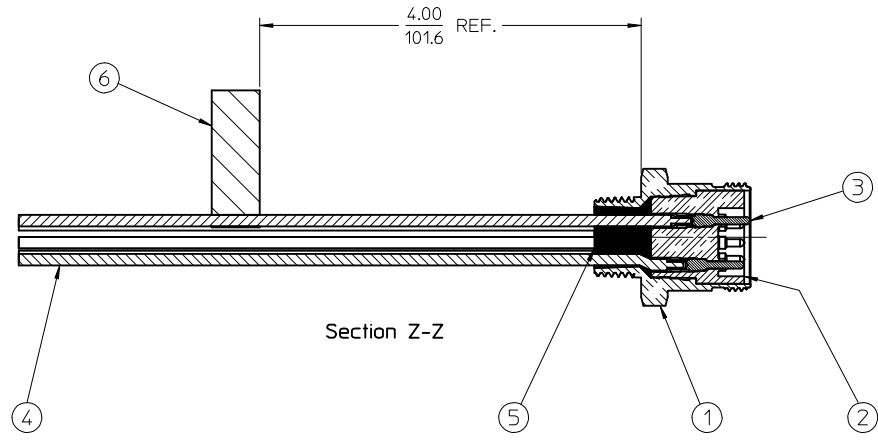
MATERIAL NO.	ENGINEERING NO.	LENGTH
1300150044	3R1006A20A120	12' +.75-0 [305mm +19.0-0]
1300150049	3R1006A20F060	6'0' +2.19-0 [1.8M +55.6-0]



REF. KNOCK-OUT HOLE



- NOTES:
1. MATERIAL: SEE TABLE
 2. FINISHES: SEE TABLE
 3. MATES WITH: NONE
 4. ELECTRICAL SPECIFICATIONS:
VOLTAGE RATING: 600V AC/DC
CURRENT RATING: 7 AMPS
 5. RoHS COMPLIANT



1	ORANGE
2	BLUE
3	WHITE-BLACK
4	RED-BLACK
5	GREEN-BLACK
6	ORANGE-BLACK
7	RED
8	GREEN-YELLOW
9	BLACK
10	WHITE

WIRING DIAGRAM

ITEM	QTY.	DESCRIPTION	MATERIAL	FINISH
6	1	LABEL	PLASTIC FILM	BLACK/YELLOW
5	1	POTTING	EPOXY	
4	10	WIRE, 16 AWG (UL 1015)	PVC INSULATED	SEE WIRE DIAGRAM
3	10	CONTACT PIN	BRASS	GOLD PLATED
2	1	INSERT	PVC	YELLOW
1	1	RECEPCTACLE SHELL	ZINC ALLOY	BLACK

RELEASED
EC NO: MNA2010-0101
DRAWN BY: DRWINRSTONE 2009/08/17
CHKD BY: WOODMAN
APPR: J. MURPHY 2009/08/21

QUALITY SYMBOLS
▽=0
▽=0

GENERAL TOLERANCES (UNLESS SPECIFIED)

	mm	INCH
4 PLACES	± .005	± .0005
3 PLACES	± .005	± .0005
2 PLACES	± .01	± .001
1 PLACE	± 0.3	± .012

ANGULAR ±1/2°

DRAFT WHERE APPLICABLE
MUST REMAIN
WITHIN DIMENSIONS

DIMENSION STYLE
IN/MM

DRAWN BY: R. STONE
DATE: 2009/08/14

CHECKED BY: B. WOODMAN
DATE: 2009/08/17

APPROVED BY: J. MURPHY
DATE: 2009/08/20

MATERIAL NO.
SEE CHART

SIZE
C

SCALE 1:1
DESIGN UNITS INCH
THIRD ANGLE PROJECTION

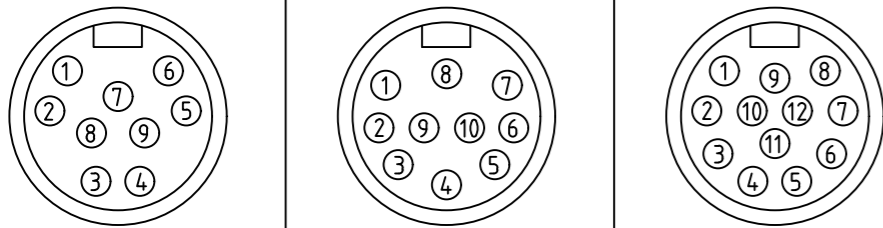
TITLE
MC RECEPTACLE, MALE
10 POLE, 1/2" NPT

MOLEX INCORPORATED

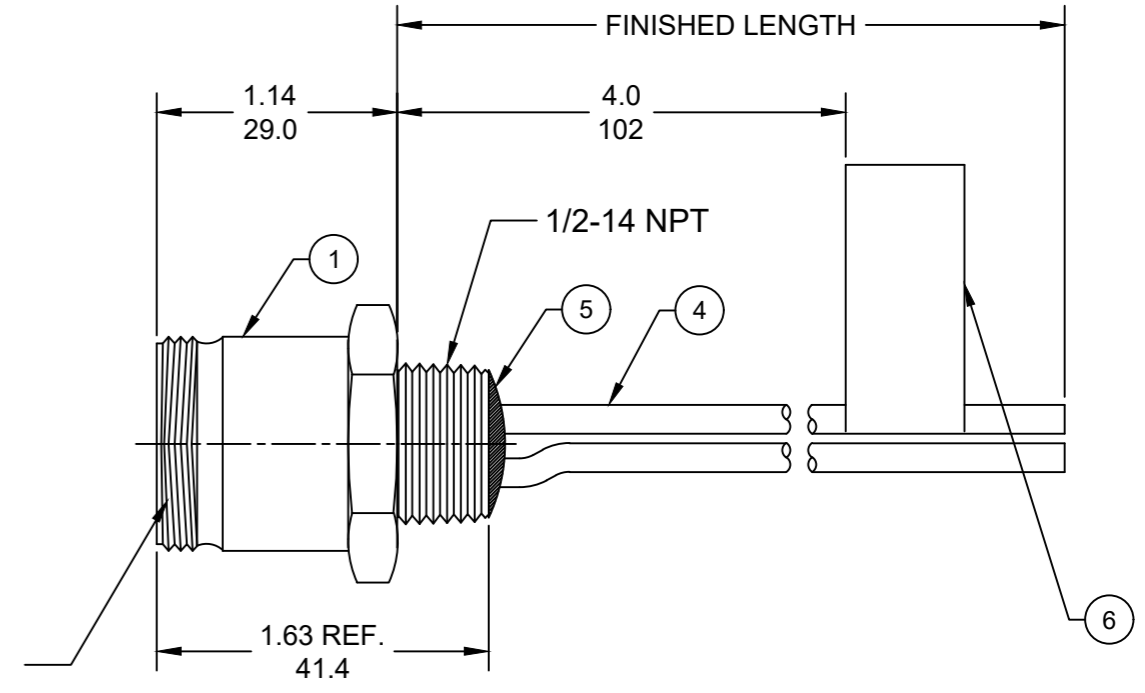
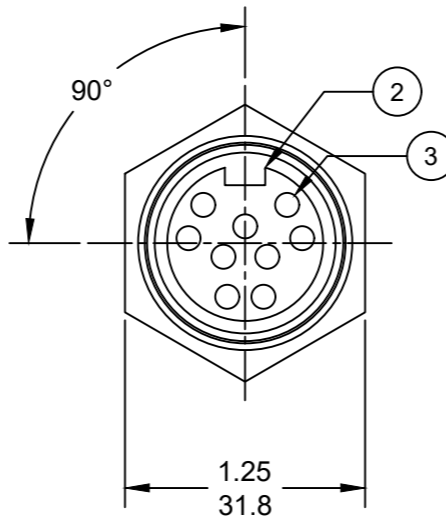
DOCUMENT NO. SD-130015-004
SHEET NO. 1 OF 1

THIS DRAWING CONTAINS INFORMATION THAT IS PROPRIETARY TO MOLEX INCORPORATED AND SHOULD NOT BE USED WITHOUT WRITTEN PERMISSION

FACE VIEW-MALE INSERT

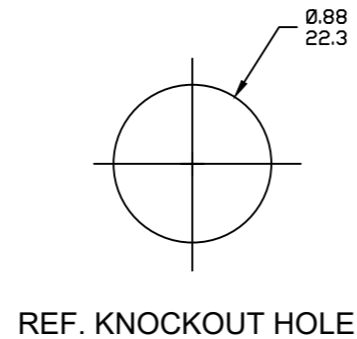


1 ORANGE 2 BLUE 3 RED/BLACK 4 GREEN/BLACK 5 WHITE 6 RED 7 GREEN/YELLOW 8 WHITE/BLACK 9 BLACK	1 ORANGE 2 BLUE 3 WHITE/BLACK 4 RED/BLACK 5 GREEN/BLACK 6 ORANGE/BLACK 7 RED 8 GREEN/YELLOW 9 BLACK 10 WHITE	1 ORANGE 2 BLUE 3 WHITE/BLACK 4 RED/BLACK 5 GREEN/BLACK 6 ORANGE/BLACK 7 BLUE/BLACK 8 BLACK/WHITE 9 GREEN/YELLOW 10 RED 11 WHITE 12 BLACK
--	---	--



PART NO	ENGINEERING NO.	FINISHED LENGTH
1300150137	3R9006A20A120	12 IN [0.3M]
1300150051	3R1006A20F120	12 FT [3.6M]
1300150091	3R2006A20M050	5.0M [16 FT 5 IN]

- NOTES:
- MATERIAL: AS NOTED
 - FINISH: AS NOTED
 - ELECTRICAL:
VOLTAGE: 320V PER IEC60664
600V PER UL2238
CURRENT: 9 POLE: 7A
10 POLE: 7A
12 POLE: 5A
 - TEMP RATING: -20°TO +105°C
 - PROTECTION: IP67 (WHEN MATED)
 - UL RECOGNIZED, FILE: E152210
CSA CERTIFIED, FILE: LR6837
 - ALL DIMENSIONS ARE FOR REFERENCE UNLESS TOLERANCED OR NOTED OTHERWISE



PART NO. MATRIX
3R1006A20F010

LENGTH:
A120= 12 INCHES
F001= .1 FT
F020= 2 FT
F200= 20 FT

M005= 0.5 METER
M010= 1 METER
M100= 10 METER

POLES
9= 9 POLES
1=10 POLES
2=12 POLES

CABLE LENGTH TOLERANCES	
>.3M [1FT]:	+19mm-0 [+.75in-0]
.3 - .9M [1 - 3FT]:	+44.5mm-0 [+1.75in-0]
.9 - 1.8M [3 - 6FT]:	+55.6mm-0 [+2.19in-0]
1.8 - 3.7M [6 - 12FT]:	+88.9mm-0 [+3.50in-0]
3.7 - 7.3M [12 - 24FT]:	+165.1mm-0 [+6.50in-0]
7.3-14.6M [24 - 48FT]:	+317.5mm-0 [+12.50in-0]
14.6 - 30.5M [48-100FT]:	+622.3mm-0 [+24.50in-0]
OVER 30M [100FT]	+2% OF FINISHED LENGTH

ITEM	DESCRIPTION	MATERIAL	FINISH
6	FLAG LABEL	VINYL	BLACK/YELLOW
5	POTTING MATERIAL	EPOXY	
4	WIRE, 16 AWG UL (1015)	PVC INSULATION	SEE CHART
3	CONTACT PIN	COPPER ALLOY	GOLD PLATED
2	MALE INSERT (C-SIZE)	TPE	YELLOW
1	RECEPTACLE SHELL	ZINC DIE-CAST	BLACK

FUNCTIONAL SYMBOLS $F=0$ $C=0$ $P=0$	THIS DRAWING CONTAINS INFORMATION THAT IS PROPRIETARY TO MOLEX ELECTRONIC TECHNOLOGIES, LLC AND SHOULD NOT BE USED WITHOUT WRITTEN PERMISSION		molex MINI-CHANGE RECEPTACLE, C-SIZE, 9, 10 & 12 POLE, MALE, STRAIGHT, SINGLE KEY, 16 AWG	
	DIMENSION UNITS: INCH/MM SCALE: NTS			
	GENERAL TOLERANCES (UNLESS SPECIFIED)		EC NO: 641453 DRWN: ABENJAMINLW 2020/06/25 CHK'D: RSTONE 2020/07/20 APPR: BWOODMAN 2020/07/27	
	DIVISIONAL SYMBOLS 4 PLACES ±--- ±--- 3 PLACES ±--- ±--- 2 PLACES ±--- ±--- 1 PLACE ±--- ±--- 0 PLACES ±--- ±---		INITIAL REVISION: DRWN: RSTONE 2016/12/08 APPR: BWOODMAN 2017/02/02	
ANGULAR TOL ± --- °		PRODUCT CUSTOMER DRAWING		
DRAFT WHERE APPLICABLE MUST REMAIN WITHIN DIMENSIONS		DOCUMENT NUMBER: SD-130015-027 DOC TYPE: PSD DOC PART: 001 REVISION: B		
THIRD ANGLE PROJECTION		MATERIAL NUMBER: SEE_CHART CUSTOMER: GENERAL MARKET SHEET NUMBER: 1 OF 1		