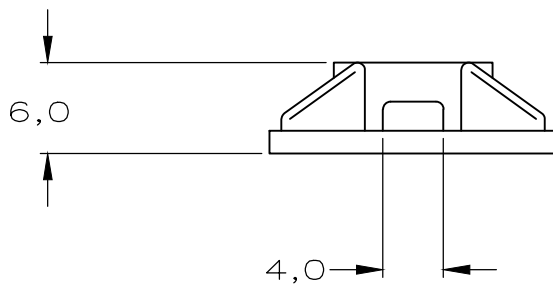
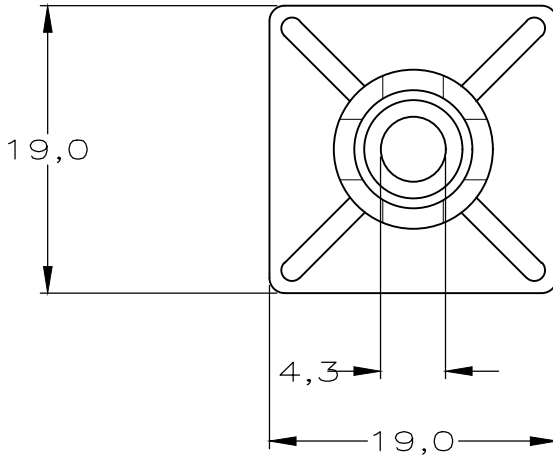


REVISIONS

P	LTR	DESCRIPTION	DATE	DWN	APVD
	0	H-9856	09-06-92	JvdH	RV
	A	OBSOLETE PN 2-100693-1	14MAR2018	SH	NG

NOTES:

- 1 MAX. CABLE TIE WIDTH 3,6.
- 2 TENSILE STRENGTH 415 kPa
- 3 APPL. TEMP. RANGE +10 - +38° C.
- 4 OBSOLETE



RELEASED FOR PUBLICATION

ALL RIGHTS RESERVED.

THIS DRAWING IS UNPUBLISHED.

COPYRIGHT - TE Connectivity Ltd.

BLACK	POLYAMIDE 6/6	2-100693-2	100
NATURAL	POLYAMIDE 6/6	2-100693-1 4	100
FINISH	MATERIAL	PART NUMBER	QTY

DIMENSIONS: mm	DWN J.V.D.HEIJDEN.	09-06-92	MATERIAL -	FINISH -			
	CHK R.VOS.	-	TE Connectivity				
TOLERANCES UNLESS OTHERWISE SPECIFIED:	APVD L.V.SOEST.	-			NAME MOUNTING BASE.		
0 PLC ± -	PRODUCT SPEC	-	SIZE	CAGE CODE	DRAWING NO	RESTRICTED TO	
1 PLC ± -	APPLICATION SPEC	-	A4	00779	C-100693	-	
2 PLC ± -	WEIGHT	-	CUSTOMER DRAWING		SCALE	SHEET 1 OF 1	REV A
3 PLC ± -							
4 PLC ± -							
ANGLES ± -							