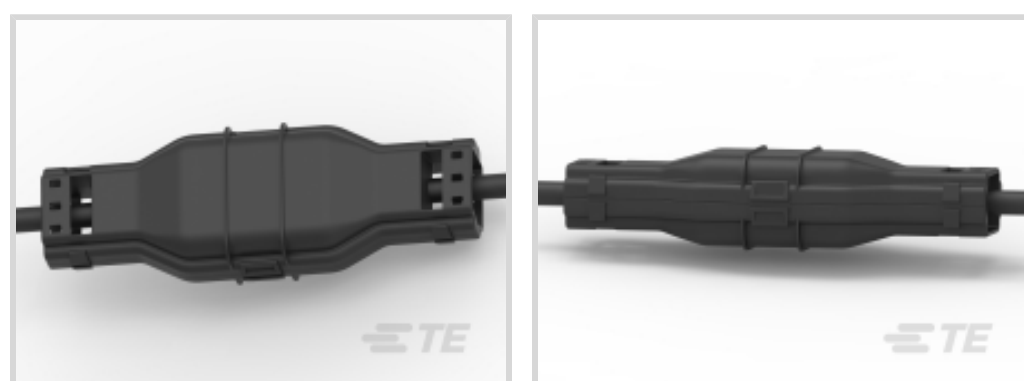




Energy & Power > Power Cable Accessories > Joints & Splices



Joints & Splice Product Availability: **EMEA**

Installation Instruction: **English**

Joints & Splice Technology: **Cold Applied**

Joints & Splice Voltage Class: **≤ 1 kV**

Joint & Splice Application Type: **Inline**

## Features

### Product Type Features

Shelf Life	Unlimited
Filler	PowerGel
Component Design	PowerGel Sealing Gel
Cable Seal	Gel
Joints & Splice Technology	Cold Applied
Joints & Splice Product Type	LV Gel Joint
Cable Shield Style	Inline
Mechanical Connectors Included	Yes
Closing Method	Snap
Connector Type	Mechanical
Product Family	GILS

### Configuration Features

Number of Main Wires (Max)	1
----------------------------	---

### Electrical Characteristics

Joints & Splice Voltage Class	≤ 1 kV
-------------------------------	--------

### Body Features

Color	Black
-------	-------

### Dimensions



Width (Installed)	51 mm[2 in]
Length (Installed)	108 mm[4.25 in]
Cross-Section Range	50 – 150 mm <sup>2</sup> [#2 – 4/0 AWG/kcmil]

### Usage Conditions

Environmental Resistance	Yes
Operating Temperature Range	-40 – 90 °C

### Operation/Application

Emission Free Label-Free Acc (REACH & CLP)	Yes
Halogen Free	Yes
Mechanical Resistance	Against Mechanical Impact
UV-Stabilized	Yes
Joint & Splice Application Type	Inline
Free of Lead, Cadmium, Heavy Metals	Yes

### Industry Standards

Standards	ANSI C119.1
-----------	-------------

### Product Availability

Joints & Splice Product Availability	EMEA
--------------------------------------	------

### Packaging Features

Standard Pack	18
---------------	----

### Other

Product Use	PowerGel-filled box for LV underground & overhead inline splices.
Installation Instruction	English

### Product Compliance

[For compliance documentation, visit the product page on TE.com>](#)

EU RoHS Directive 2011/65/EU	Compliant
EU ELV Directive 2000/53/EC	Compliant
China RoHS 2 Directive MIIT Order No 32, 2016	No Restricted Materials Above Threshold
EU REACH Regulation (EC) No. 1907/2006	Current ECHA Candidate List: JUNE 2023 (235) Candidate List Declared Against: JAN 2021 (211) Does not contain REACH SVHC

Halogen Content

Low Halogen - Br, Cl, F, I < 900 ppm per homogenous material. Also BFR/CFR/PVC Free

Solder Process Capability

Not applicable for solder process capability

Product Compliance Disclaimer

This information is provided based on reasonable inquiry of our suppliers and represents our current actual knowledge based on the information they provided. This information is subject to change. The part numbers that TE has identified as EU RoHS compliant have a maximum concentration of 0.1% by weight in homogenous materials for lead, hexavalent chromium, mercury, PBB, PBDE, DBP, BBP, DEHP, DIBP, and 0.01% for cadmium, or qualify for an exemption to these limits as defined in the Annexes of Directive 2011/65/EU (RoHS2). Finished electrical and electronic equipment products will be CE marked as required by Directive 2011/65/EU. Components may not be CE marked. Additionally, the part numbers that TE has identified as EU ELV compliant have a maximum concentration of 0.1% by weight in homogenous materials for lead, hexavalent chromium, and mercury, and 0.01% for cadmium, or qualify for an exemption to these limits as defined in the Annexes of Directive 2000/53/EC (ELV). Regarding the REACH Regulation, the information TE provides on SVHC in articles for this part number is based on the latest European Chemicals Agency (ECHA) 'Guidance on requirements for substances in articles' posted at this URL: <https://echa.europa.eu/guidance-documents/guidance-on-reach>

## Compatible Parts



TE Part # E25218-000  
GILS-350(B18)

## Customers Also Bought



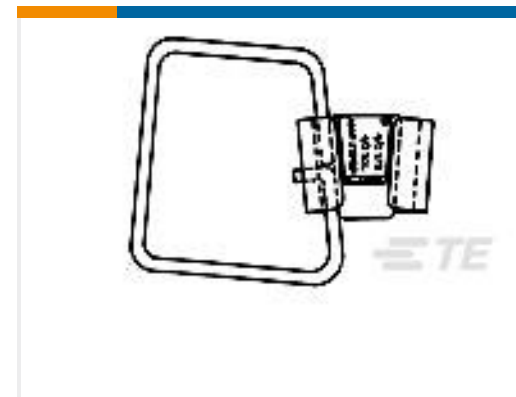
TE Part #842515-000  
Wraparound Sleeve for Cable Repair



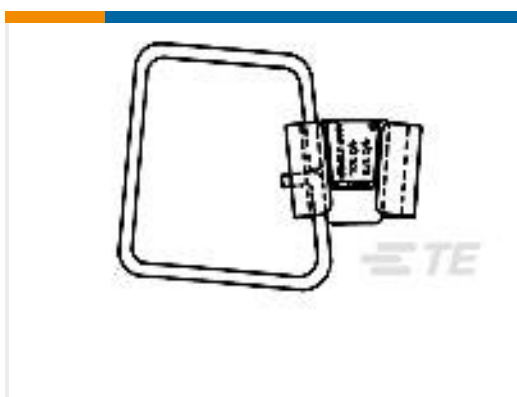
TE Part #EE0458-000  
Thick-Wall Heat Shrink Tubing



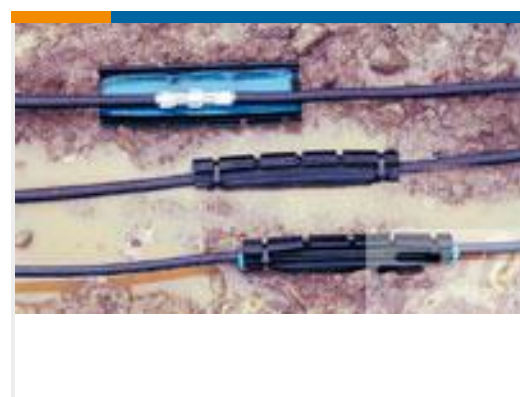
TE Part #1710723-6  
15kILD-KS9C-w/T-556.5



TE Part #600464  
AMPACT STIRRUP ASSY



TE Part #600469  
AMPACT STIRRUP ASSY



TE Part #A36570-000  
GELWRAP-33/10-250(B6)



TE Part #1710725-4  
15kILD-KR9C-T336.4-397.5



TE Part #028630-000  
HVT-354-SG



## Documents

### Datasheets & Catalog Pages

[GILS RAYCHEM GEL IN-LINE SPLICE KIT](#)

English

---

### Instruction Sheets

[Instruction Sheet \(U.S.\)](#)

English