

PART NO.	ENGINEERING NO.	FINISHED LENGTH	REF. CABLE	CABLE COLOR	CABLE DIA.
1300680103	TC40301A56M010G	3FT 3IN [1.0M]	A56 (STANDARD)	BLACK	.59 [15.0]
1300680111	TC40301K27M010G	3FT 3IN [1.0M]	K27 (HI FLEX 10 MIL)	BLACK	.40 [10.2]
1300680112	TC40301K27M040G	13FT 1.4IN [4.0M]	K27 (HI FLEX 10 MIL)	BLACK	.40 [10.2]
1300680114	TC40301K27M035G	11FT 6 IN [3.5M]	K27 (HI FLEX 10 MIL)	BLACK	.40 [10.2]

CABLE LENGTH TOLERANCES

<.3M [1FT]: +19mm-0 [+ .75in-0]

.3 - .9M [1 - 3FT]: +44.5mm-0 [+1.75in-0]

.9 - 1.8M [3 - 6FT]: +55.6mm-0 [+2.19in-0]

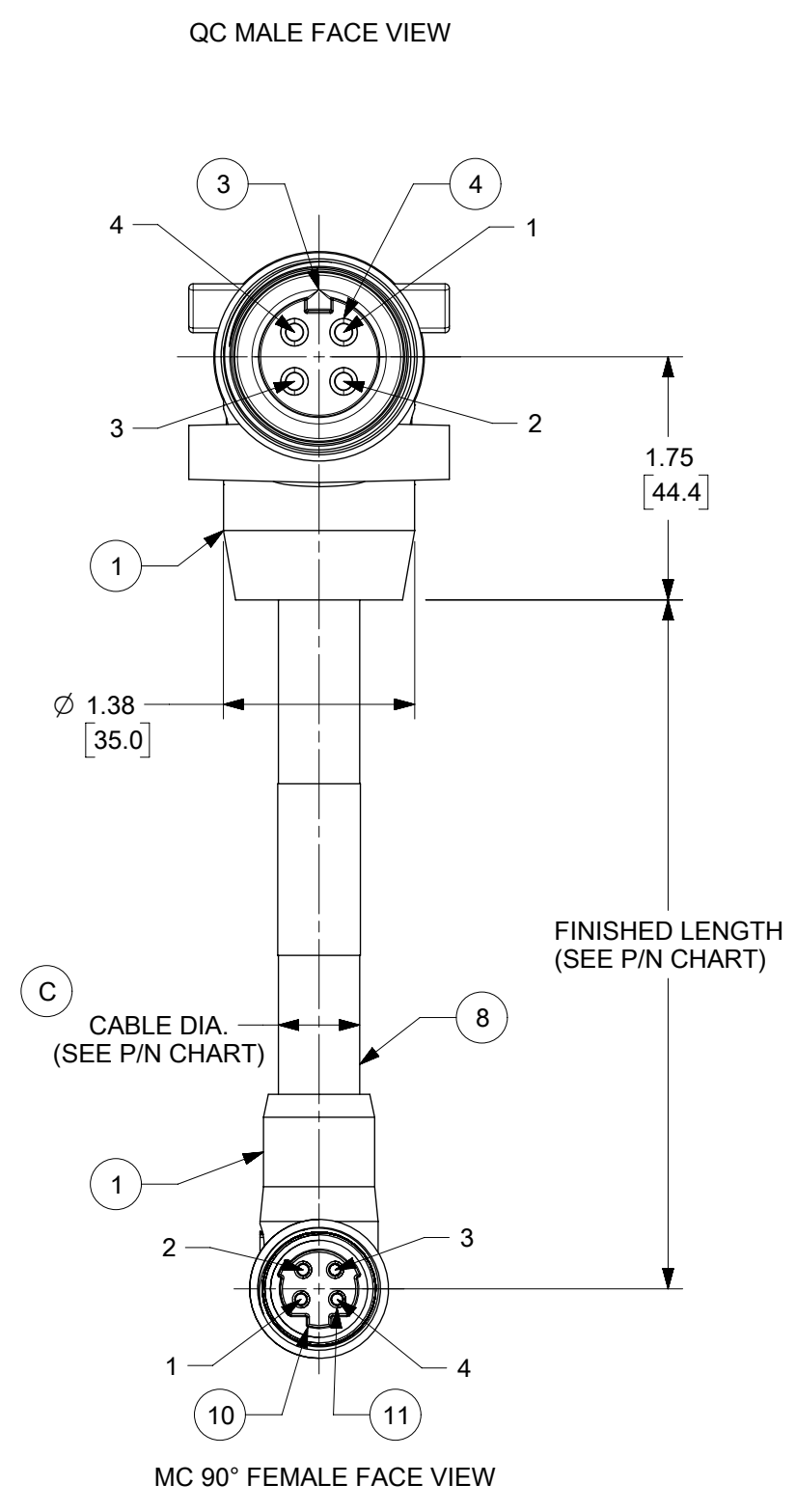
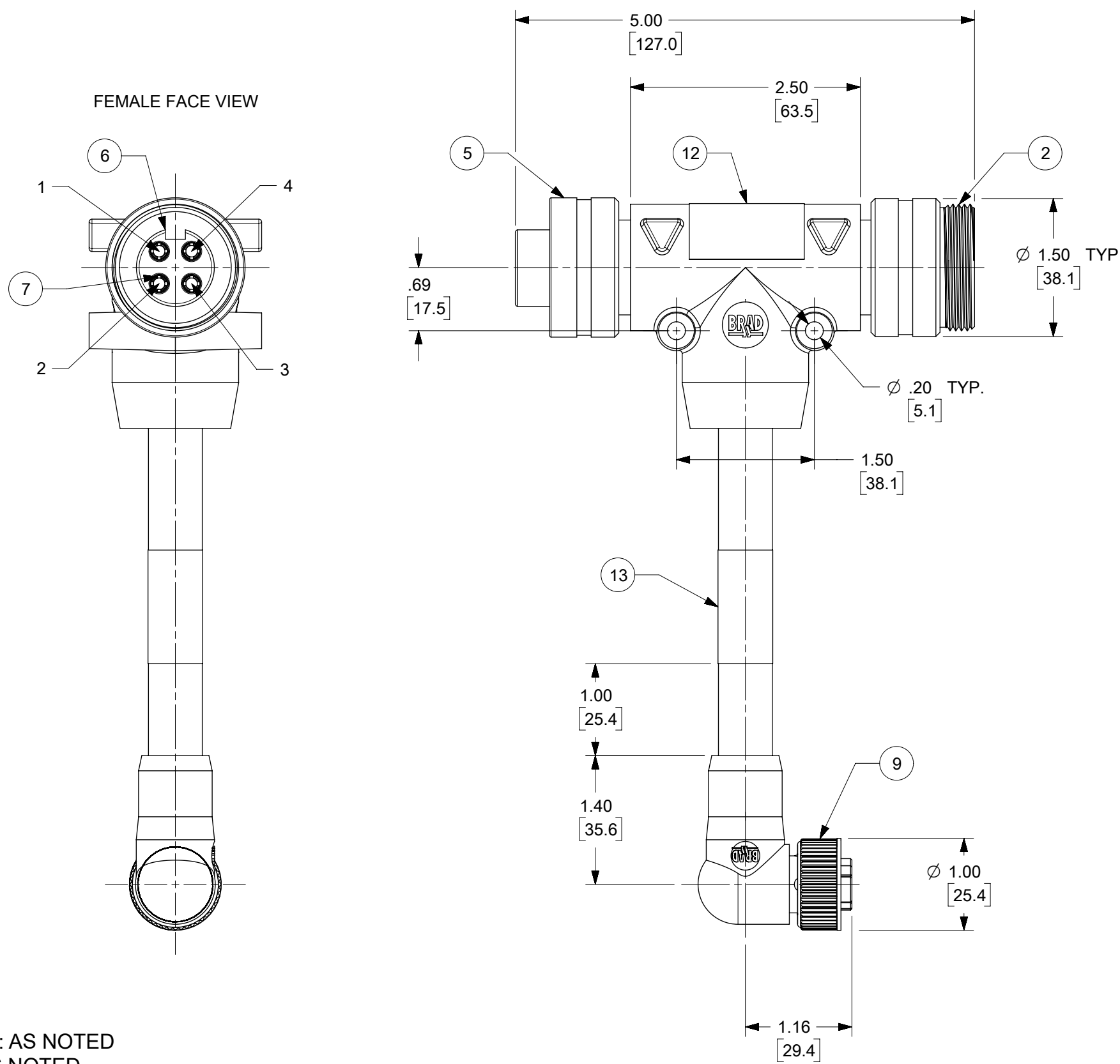
1.8 - 3.7M [6 - 12FT]: +88.9mm-0 [+3.50in-0]

3.7 - 7.3M [12 - 24FT]: +165.1mm-0 [+6.50in-0]

7.3-14.6M [24 - 48FT]: +317.5mm-0 [+12.50in-0]

14.6 - 30.5M [48-100FT]: +622.3mm-0 [+24.50in-0]

OVER 30M [100FT] +2% OF FINISHED LENGTH



PART NUMBER LEGEND

TC40301A56M010G

LENGTH

M001 = .1 METERS

M010 = 1.0 METERS

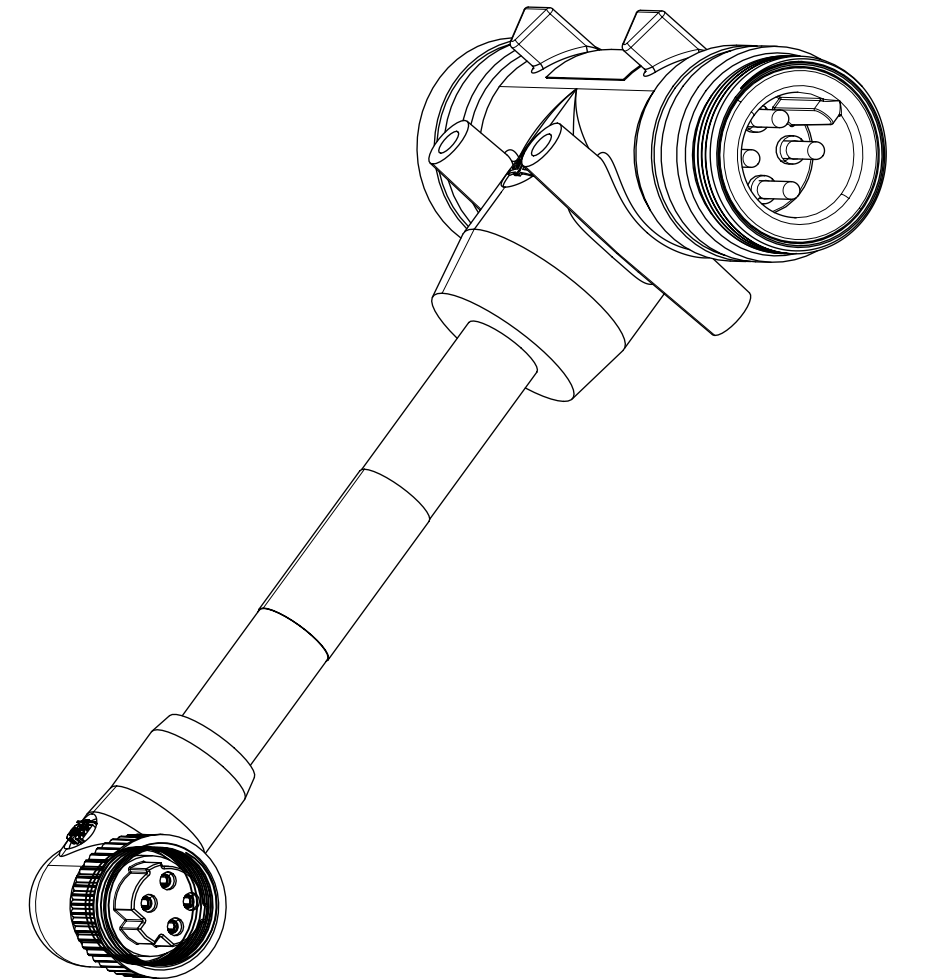
M100 = 10 METERS

CABLE TYPE:

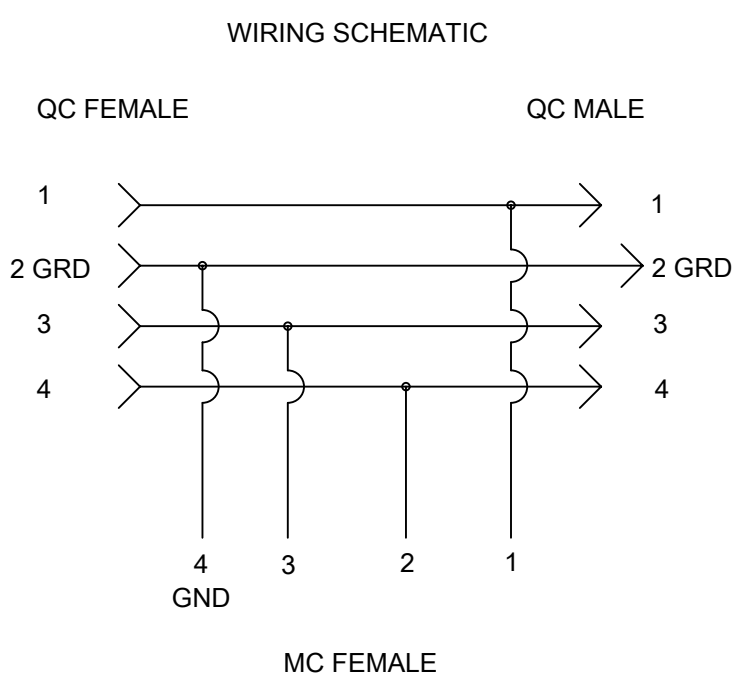
A56 - 14AWG TC-ER BLACK TPE

A79 - 14AWG TC-ER GRAY TPE-FLEX RATED

K27 - 14AWG TC-ER BLACK TPE-HI FLEX



- NOTES:**
- MATERIAL: AS NOTED
 - FINISH: AS NOTED
 - ELECTRICAL:
VOLTAGE: 500V PER IEC60664
600V PER UL2237
MAX THRU CURRENT: 32A
MAX DROP CURRENT: 15A
 - TEMP RATING: -20°C TO +90°C
 - PROTECTION: IP67 (WHEN MATED)
 - COUPLING THREAD:
QC (M35): 1 3/8-16UN
MC: 7/8-16 UN
 - UL LISTED FILE: E258922
 - ALL DIMS ARE FOR REFERENCE UNLESS TOLERANCED OR NOTED OTHERWISE



#	DESCRIPTION	MATERIAL	FINISH
13	MC WARNING LABEL	VINYL	BLACK/YELLOW
12	QC WARNING LABEL	POLYESTER	BLACK/ORANGE
11	MC SOCKET CONTACT	CU ALLOY	GOLD PLATED
10	MC FEMALE INSERT	TPE	BLACK
9	MC COUPLING NUT	ZINC ALLOY	BLACK E-COAT
8	CABLE, 14 AWG-4 TYPE TC-ER, STOOV	PVC	SEE CHART
7	QC SOCKET CONTACT	CU ALLOY	GOLD PLATED
6	QC FEMALE INSERT	TPE	BLACK
5	QC FEMALE COUPLING NUT	ALUMINUM	CLEAR ANODIZE
4	QC PIN CONTACT	CU ALLOY	GOLD PLATED
3	QC MALE INSERT	TPE	BLACK
2	QC MALE COUPLING NUT	ALUMINUM	CLEAR ANODIZE
1	OVERMOLDS	TPE	BLACK
#	DESCRIPTION	MATERIAL	FINISH

FUNCTIONAL SYMBOLS		THIS DRAWING CONTAINS INFORMATION THAT IS PROPRIETARY TO MOLEX ELECTRONIC TECHNOLOGIES, LLC AND SHOULD NOT BE USED WITHOUT WRITTEN PERMISSION		CURRENT REV DESC: INSERT AND O-MOLD CHANGED TO TPE, REV NOTES, ADD NOTE 7, ADD CABLE DIA.	
DIMENSION UNITS		SCALE		EC NO: 690918	
IN/mm		1:1.333333		DRWN: RSTONE 2022/01/06	
GENERAL TOLERANCES (UNLESS SPECIFIED)				CHK'D: MZIELINSKI 2022/01/27	
4 PLACES ±		MM INCH		APPR: BWOODMAN 2022/02/02	
3 PLACES ±				INITIAL REVISION:	
2 PLACES ±				DRWN: RSTONE 2013/05/16	
1 PLACE ±				APPR: BWOODMAN 2013/06/21	
0 PLACES ±				THIRD ANGLE PROJECTION	
ANGULAR TOL ± °				DRAWING SERIES	
DRAFT WHERE APPLICABLE MUST REMAIN WITHIN DIMENSIONS				C-SIZE 130068	
DOCUMENT STATUS		P1		RELEASE DATE 2022/02/02 23:12:59	
DOCUMENT NUMBER		SD-130068-019		DOC TYPE DOC PART REVISION	
MATERIAL NUMBER		SEE P/N CHART		CUSTOMER GENERAL MARKET	
SHEET NUMBER		1 OF 1			