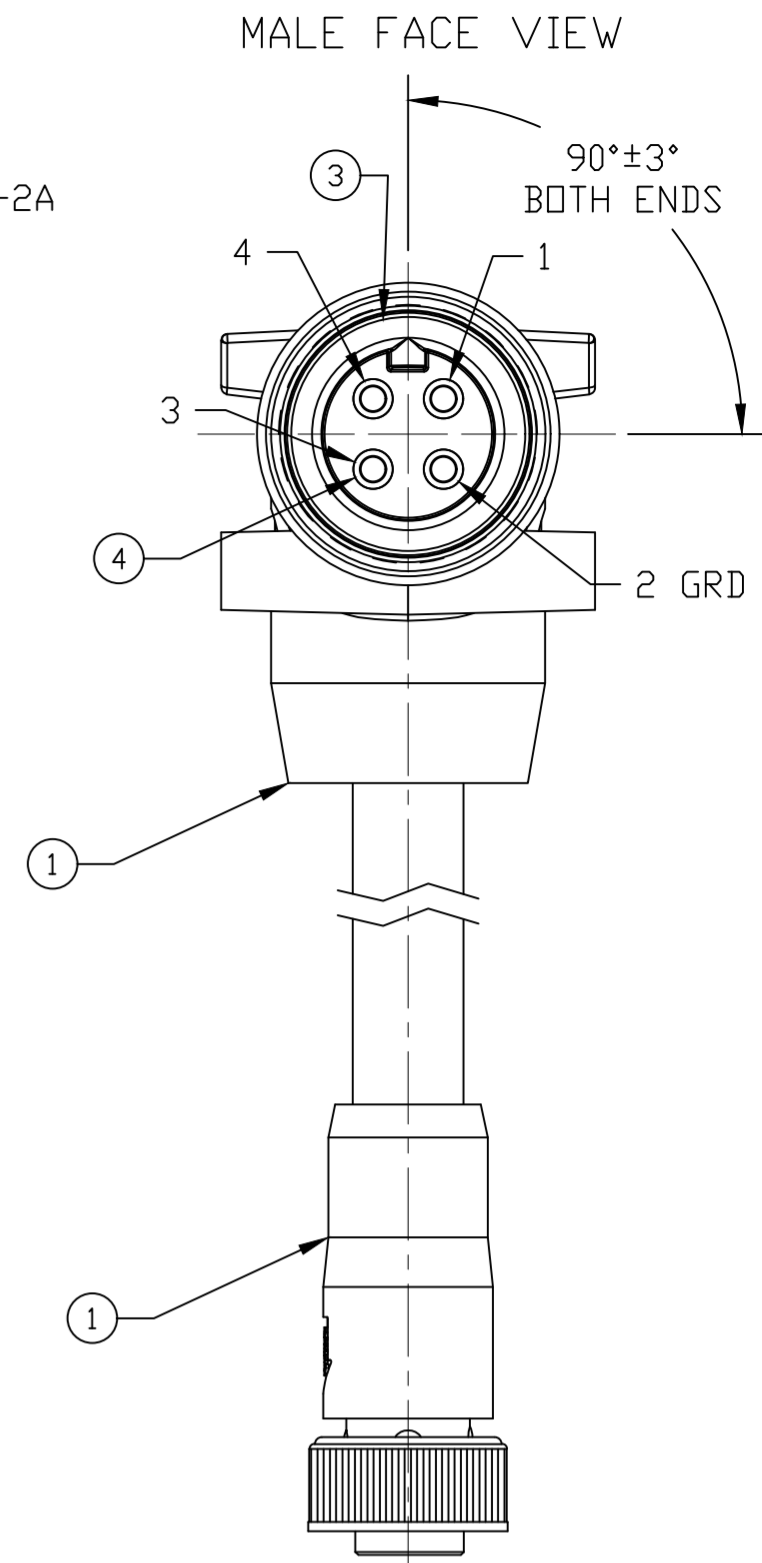
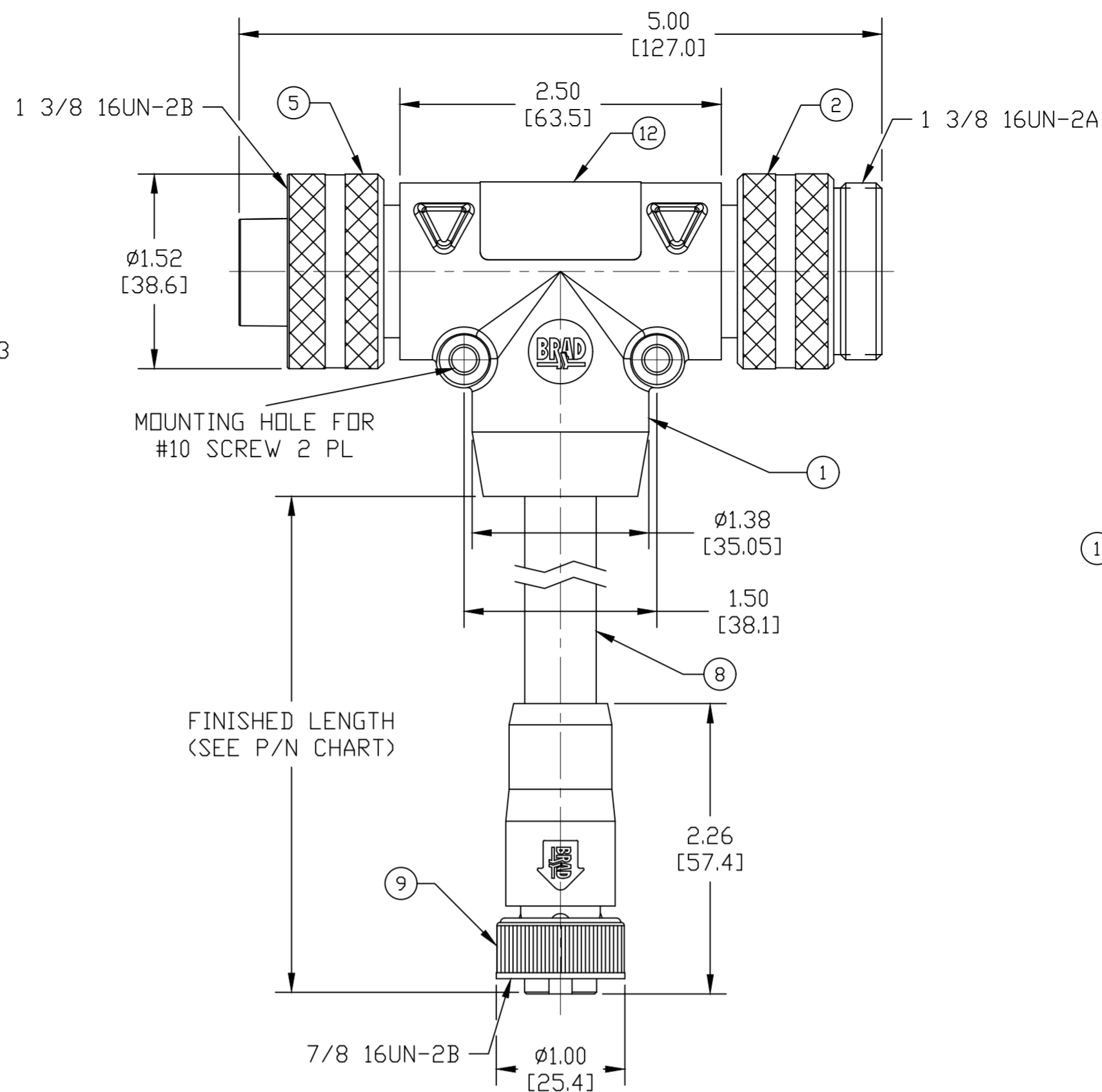
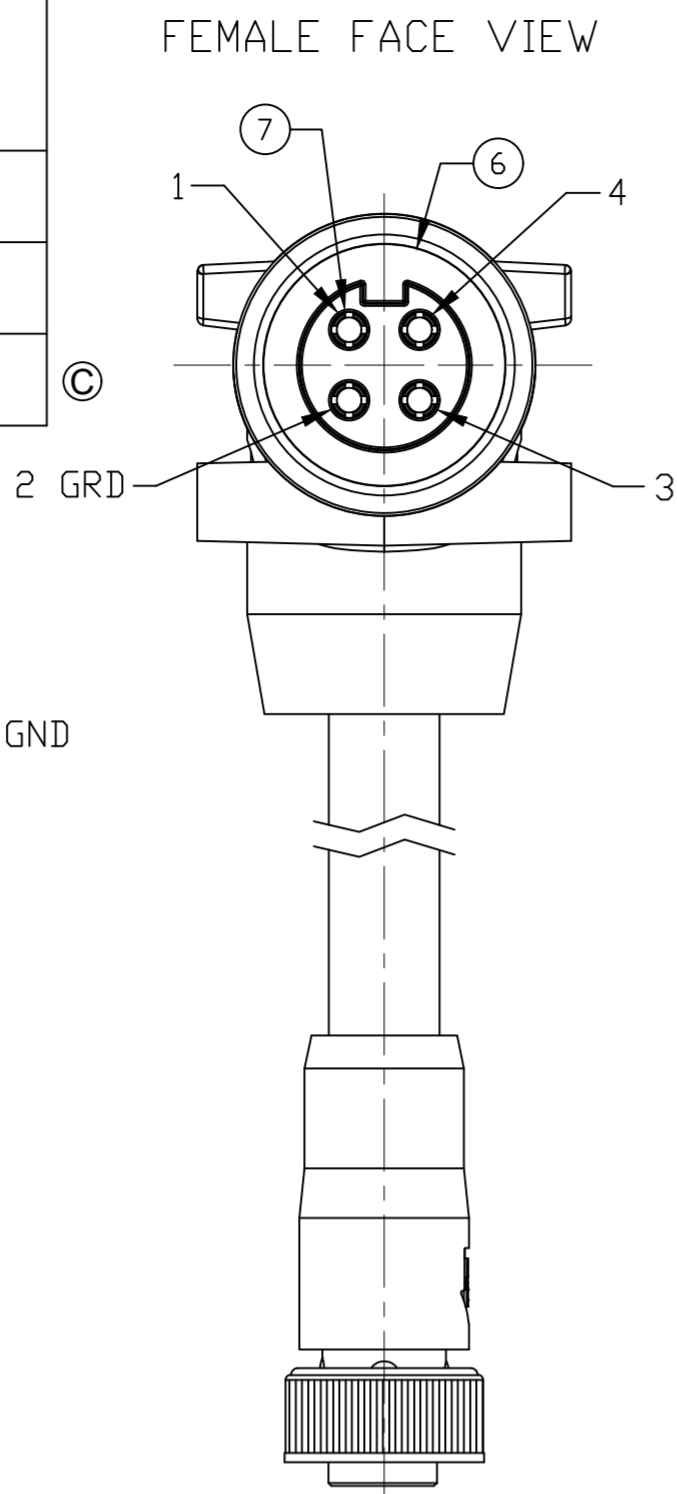
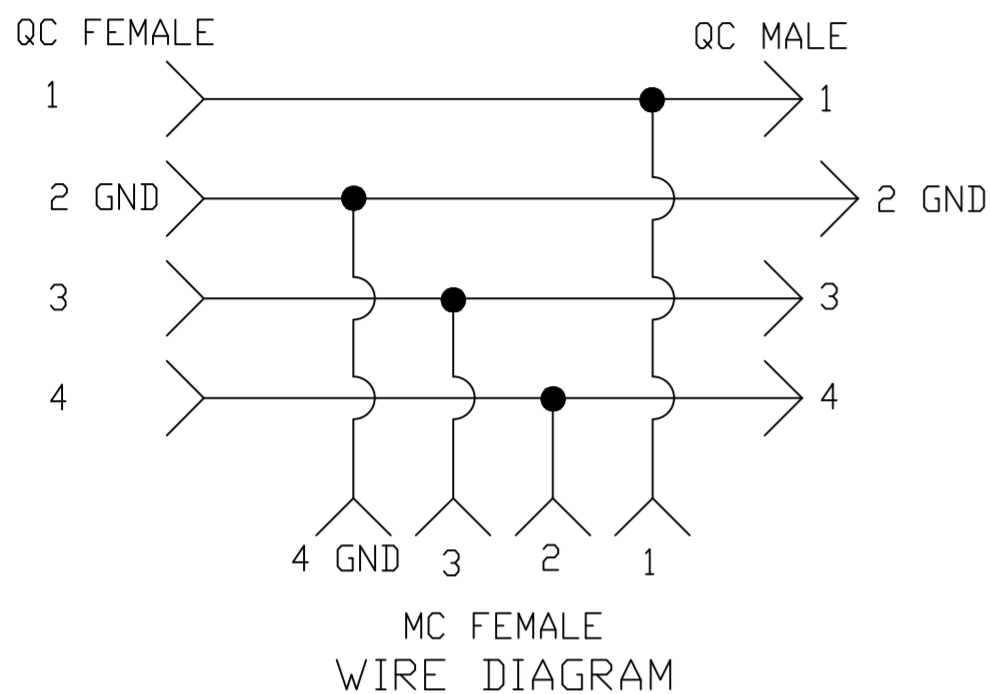


PART NUMBER	ENGINEERING NUMBER	FINISHED LENGTH
1300680116	TC40200K21M010G	3' 3" [1M]
1300680120	TC40200K21M030G	9' 10" [3M]
1300680121	TC40200K21M020G	6' 6.7" [2M]



- NOTES:**
- MATERIAL: AS NOTED
  - FINISH: AS NOTED
  - ELECTRICAL:  
VOLTAGE: 483V PER IEC60664  
600V PER UL2237  
MAX THRU CURRENT: 32A  
MAX DROP CURRENT: 15A
  - TEMP RATING: -20° TO +90°C
  - PROTECTION: IP67 (WHEN MATED)
  - CERTIFICATION:  
UL LISTED FILE NO: E258922 (PENDING)
  - DIMS SHOWN ARE FOR REFERENCE UNLESS TOLERANCED OR NOTED OTHERWISE

**PART NUMBER LEGEND**

TC40200K21M010G

FINISHED LENGTH:  
F010= 1.0 FEET  
F100= 10.0 FEET  
M005= 0.5 METER  
M010= 1.0 METER  
M100= 10. METER

ITEM	DESCRIPTION	MATERIAL	FINISH
12	LABEL	POLYESTER	BLACK/DRANGE
11	MC SOCKET CONTACT	COPPER ALLOY	GOLD PLATED
10	MC FEMALE INSERT	TPE	BLACK
9	MC COUPLING NUT	ZINC ALLOY	BLACK E-COAT
8	CABLE, 14AWG-3 TYPE TC-ER, STOOD	TPE	BLACK
7	QC SOCKET CONTACT	COPPER ALLOY	GOLD PLATED
6	QC FEMALE INSERT	TPE	BLACK
5	QC FEMALE COUPLING NUT	ALUMINUM	CLEAR ANODIZE
4	QC PIN CONTACT	COPPER ALLOY	GOLD PLATED
3	QC MALE INSERT	TPE	BLACK
2	QC MALE COUPLING NUT	ALUMINUM	CLEAR ANODIZE
1	OVERMOLDS	TPE	BLACK

**CABLE LENGTH TOLERANCES**

>.3M [1FT]: +19mm-0 [ +.75in-0]
.3 - .9M [1 - 3FT]: +44.5mm-0 [+1.75in-0]
.9 - 1.8M [3 - 6FT]: +55.6mm-0 [+2.19in-0]
1.8 - 3.7M [6 - 12FT]: +88.9mm-0 [+3.50in-0]
3.7 - 7.3M [12 - 24FT]: +165.1mm-0 [+6.50in-0]
7.3-14.6M [24 - 48FT]: +317.5mm-0 [+12.50in-0]
14.6 - 30.5M [48-100FT]: +622.3mm-0 [+24.50in-0]
OVER 30M [100FT] +2% OF FINISHED LENGTH

SYMBOLS		THIS DRAWING CONTAINS INFORMATION THAT IS PROPRIETARY TO MOLEX ELECTRONIC TECHNOLOGIES, LLC AND SHOULD NOT BE USED WITHOUT WRITTEN PERMISSION	
▽ = 0	DIMENSION UNITS	SCALE	CURRENT REV DESC: ADD NEW LENGTH
▽ = 0	INCH	NTS	
▽ = 0	GENERAL TOLERANCES (UNLESS SPECIFIED)		
▽ = 0		mm	INCH
▽ = 0	4 PLACES	±----	±----
▽ = 0	3 PLACES	±----	±----
▽ = 0	2 PLACES	±----	±----
▽ = 0	1 PLACE	±----	±----
▽ = 0	0 PLACES	±----	±----
▽ = 0	ANGULAR TOL ± ---- °		
▽ = 0	DRAFT WHERE APPLICABLE MUST REMAIN WITHIN DIMENSIONS		
▽ = 0	THIRD ANGLE PROJECTION	DRAWING	SERIES
		C-SIZE	130068
	EC NO: 635413	DRWN: CCHRSTKA	2020/04/06
	CHK'D: ALEON01	APPR: BWOODMAN	2020/04/09
	INITIAL REVISION:	DRWN: RSTONE	2019/09/20
		APPR: BWOODMAN	2019/10/09
	DOCUMENT NUMBER	DOC TYPE	DOC PART
	1300680116	PSD	000
	CUSTOMER	SHEET NUMBER	
	GENERAL MARKET	1 OF 1	