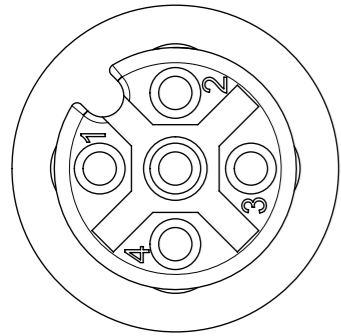


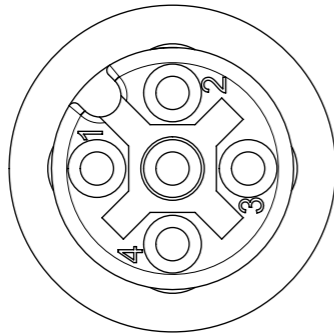
# M12 4 POLE FEMALE



VIEW FROM THE FRONT SIDE

Pin	Kolor przewodu	
1	BROWN	BN
2	WHITE	WH
3	BLUE	BU
4	BLACK	BK

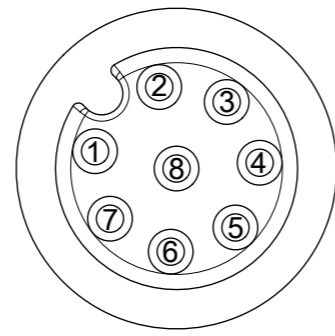
# M12 5 POLE FEMALE



VIEW FROM THE FRONT SIDE

Pin	Kolor przewodu	
1	BROWN	BN
2	WHITE	WH
3	BLUE	BU
4	BLACK	BK
5	GREY	GY

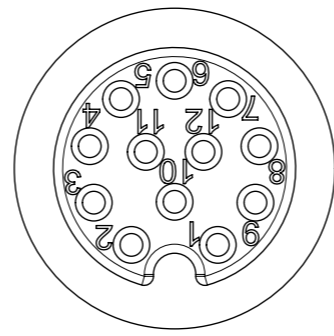
# M12 8 POLE FEMALE



VIEW FROM THE FRONT SIDE

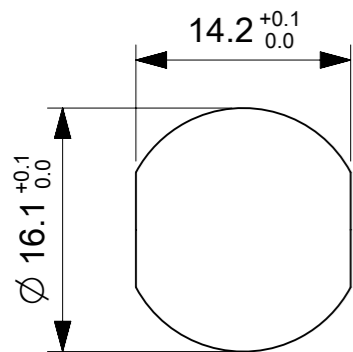
Pin	Kolor przewodu	
1	WHITE	WH
2	BROWN	BN
3	GREEN	GN
4	YELLOW	YE
5	GREY	GY
6	PINK	PK
7	BLUE	BU
8	RED	RD

# M12 12 POLE FEMALE

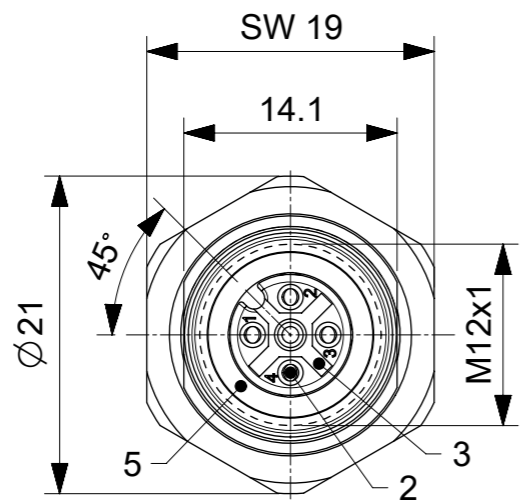


VIEW FROM THE FRONT SIDE

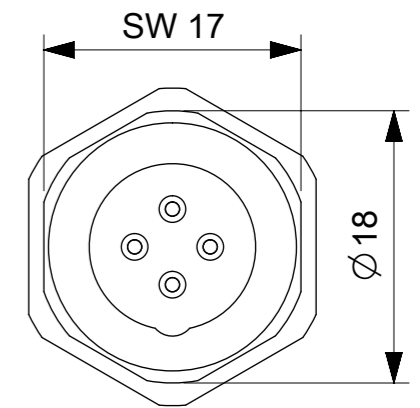
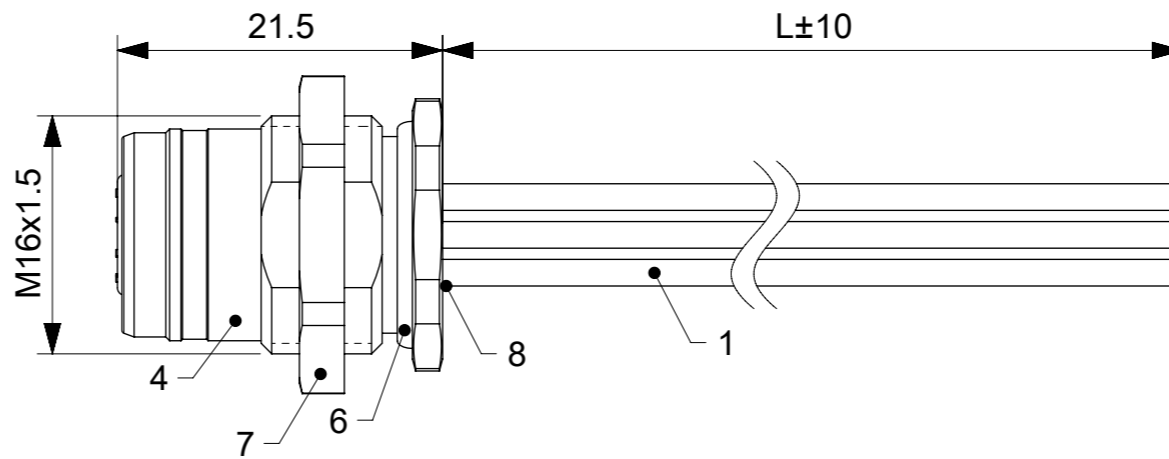
Pin	Kolor przewodu	
1	WHITE	WH
2	BROWN	BN
3	GREEN	GN
4	YELLOW	YE
5	GREY	GY
6	PINK	PK
7	BLUE	BU
8	RED	RD
9	BLACK	BK
10	VIOLET	VT
11	GREY/PINK	GY/PK
12	RED/BLUE	RD/BU



PANEL CUT OUT



VIEW FROM THE FRONT SIDE



VIEW FROM THE WIRES SIDE

## BILL OF MATERIALS

ITEM	QTY.	DESCRIPTION	MATERIAL	FINISH
8	-	POTTING MATERIAL	WEVO	-
7	1	LOCKNUT M16x1.5	BRASS	Ni
6	1	O-RING BK	NBR	-
5	1	GASKET RD	FPM	-
4	1	SHELL M12x1 M16x1.5	BRASS/STAINLESS STEEL	Ni/-
3	1	INSERT 4/5/8/12P FE AC	ELASTOLLAN	-
2	4/5/8/12	CONTACT FEMALE	BRASS	AU
1	-	WIRE 20/22/24/26 AWG UL1569	PVC	-
ITEM	QTY.	DESCRIPTION	MATERIAL	FINISH

THIS DRAWING CONTAINS INFORMATION THAT IS PROPRIETARY TO MOLEX ELECTRONIC TECHNOLOGIES, LLC AND SHOULD NOT BE USED WITHOUT WRITTEN PERMISSION

DIMENSION UNITS	SCALE	CURRENT REV DESC: OBSOLETE PART NUMBERS AS PER PCN#506884	<b>molex</b>				
mm	2:1						
GENERAL TOLERANCES (UNLESS SPECIFIED)			REC M12 XP AC FE PVC XM M16 BM				
ANGULAR TOL	± 1.0 °	EC NO: 662770	PRODUCT CUSTOMER DRAWING				
4 PLACES	±	DRWN: SUGEEB	2021/03/02				
3 PLACES	±	CHK'D: GGA	2021/06/02				
2 PLACES	± 0.05	APPR: GGA	2021/06/02				
1 PLACE	± 0.3	INITIAL REVISION:		DOCUMENT NUMBER			
0 PLACES	± 0.5	DRWN: KKALICIAK	2016/09/27	1200848135	DOC TYPE DOC PART REVISION		
DRAFT WHERE APPLICABLE MUST REMAIN WITHIN DIMENSIONS		THIRD ANGLE PROJECTION	DRAWING	SERIES	MATERIAL NUMBER	CUSTOMER	SHEET NUMBER
			A3-SIZE	120084	SEE SHEET 2	GENERAL MARKET	1 OF 2

ENGINEERING No. - NUMERICAL CODE (Available parts see PART LIST table. Others parts available upon request)

W R X U 4 0 X X X X X X X X

OPTIONS

WR = U12 REC

Poles:  
4 = 4 Poles  
5 = 5 Poles  
8 = 8 Poles  
C = 12 Poles

Shell Type

Wires  
E01 = 26AWG PVC  
E02 = 24AWG PVC  
E03 = 22AWG PVC  
E04 = 20AWG PVC


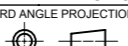
Units:  
M = Meters  
C = Centimeters

Length  
Examples:  
005 = 0.5 unit  
010 = 1 unit  
100 = 10 units

Shell Material  
blank, 3 = Brass  
8 = Stainless Steel

PART LIST

Molex PN	Engineering No.	L [mm]
1200848135	WR4U40E04C3003	300
1200845097	WR8U40E02C300	300
1200848069	WR8U40E02C500	500
1200848059	WR8U40E02M010	1000
1200845016	WRCU40E01C200	200
1200845017	WRCU40E01C300	300
1200848058	WRCU40E01M010	1000
1200845038	WR4U40E03C3003	300
1200845160	WR5U40E03C3003	300
1200848180	WR5U40E03M0103	1000
1200848192	WR5U40E03C300	300
1200848219	WR4U40E03C650	650

THIS DRAWING CONTAINS INFORMATION THAT IS PROPRIETARY TO MOLEX ELECTRONIC TECHNOLOGIES, LLC AND SHOULD NOT BE USED WITHOUT WRITTEN PERMISSION									
DIMENSION UNITS	SCALE	CURRENT REV DESC: OBSOLETE PART NUMBERS AS PER PCN#506884							
mm	1:1	 REC M12 XP AC FE PVC XM M16 BM PRODUCT CUSTOMER DRAWING							
GENERAL TOLERANCES (UNLESS SPECIFIED)									
ANGULAR TOL	± 1.0 °	EC NO: 662770	2021/03/02		2021/06/02		2021/06/02		DOCUMENT NUMBER
4 PLACES	±	DRWN: SUGEEB							1200848135
3 PLACES	±	CHK'D: GGA							PSD
2 PLACES	± 0.05	APPR: GGA							000
1 PLACE	± 0.3	INITIAL REVISION:		2016/09/27		2016/10/25		A5	REVISION
0 PLACES	± 0.5	DRWN: KKALICIAK							
DRAFT WHERE APPLICABLE MUST REMAIN WITHIN DIMENSIONS		THIRD ANGLE PROJECTION	DRAWING	SERIES	MATERIAL NUMBER	CUSTOMER	SHEET NUMBER		
			A3-SIZE	120084	SEE PART LIST	GENERAL MARKET	2 OF 2		