



RAYCHEM Soldersleeve Device for Space Applications

TE Internal #: EM7795-000

SolderSleeve Shield Terminators, 6.35 mm [.25 in] Expanded Inside,
RAYCHEM Soldersleeve Device for Space Applications

[View on TE.com >](#)

Wire Protection & Management > Interconnect Devices > SolderSleeve Shield Terminators



Operating Temperature (Max): 150 °C

Expanded Inside Diameter (Min): 6.35 mm [.25 in]

Recovered Inside Diameter (Max): 6.35 mm [.25 in]

Pre-Installed Lead: **No**

Wire Temperature (Max): 150 °C

Features

Product Type Features

Interconnect Device Splice Type	SolderSleeve
Temperature Indicator	No
Temperature Indicator Type	None

Configuration Features

Pre-Installed Lead	No
--------------------	----

Dimensions

Expanded Inside Diameter (Min)	6.35 mm [.25 in]
Recovered Inside Diameter (Max)	6.35 mm [.25 in]

Usage Conditions

Operating Temperature (Max)	150 °C
Wire Temperature (Max)	150 °C

Product Compliance

[For compliance documentation, visit the product page on TE.com>](#)

EU RoHS Directive 2011/65/EU	Not Compliant
EU ELV Directive 2000/53/EC	Not Compliant
China RoHS 2 Directive MIIT Order No 32, 2016	Restricted Materials Above Threshold
EU REACH Regulation (EC) No. 1907/2006	



Current ECHA Candidate List: JUNE 2023
(235)

Candidate List Declared Against: JUNE
2023 (235)

SVHC > Threshold:

Pb (37% in Solder)

Article Safe Usage Statements:

Do not eat, drink or smoke when using this product. Wash thoroughly after handling. Recycle if possible and dispose of the article by following all applicable governmental regulations relevant to your geographic location.

Halogen Content	Low Bromine/Chlorine - Br and Cl < 900 ppm per homogenous material. Also BFR /CFR/PVC Free
Solder Process Capability	Not applicable for solder process capability

Product Compliance Disclaimer

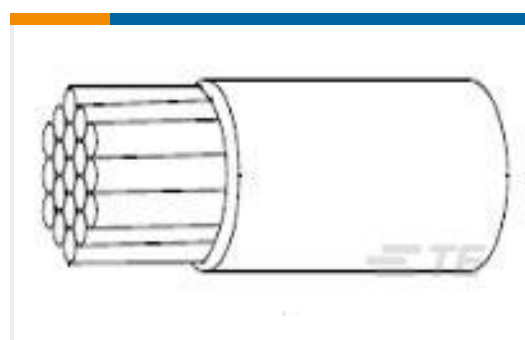
This information is provided based on reasonable inquiry of our suppliers and represents our current actual knowledge based on the information they provided. This information is subject to change. The part numbers that TE has identified as EU RoHS compliant have a maximum concentration of 0.1% by weight in homogenous materials for lead, hexavalent chromium, mercury, PBB, PBDE, DBP, BBP, DEHP, DIBP, and 0.01% for cadmium, or qualify for an exemption to these limits as defined in the Annexes of Directive 2011/65/EU (RoHS2). Finished electrical and electronic equipment products will be CE marked as required by Directive 2011/65/EU. Components may not be CE marked. Additionally, the part numbers that TE has identified as EU ELV compliant have a maximum concentration of 0.1% by weight in homogenous materials for lead, hexavalent chromium, and mercury, and 0.01% for cadmium, or qualify for an exemption to these limits as defined in the Annexes of Directive 2000/53/EC (ELV). Regarding the REACH Regulation, the information TE provides on SVHC in articles for this part number is based on the latest European Chemicals Agency (ECHA) 'Guidance on requirements for substances in articles' posted at this URL: <https://echa.europa.eu/guidance-documents/guidance-on-reach>

Also in the Series | RAYCHEM Soldersleeve Device for Space Applications



SolderSleeve Shield Terminators(3)

Customers Also Bought



TE Part #216027-008
55A0111-26-9



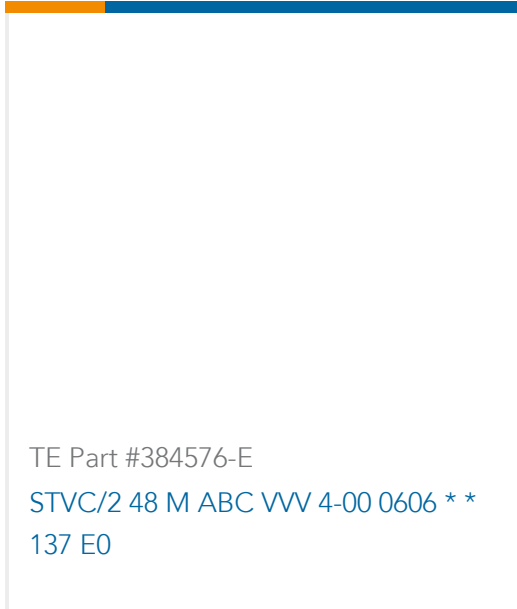
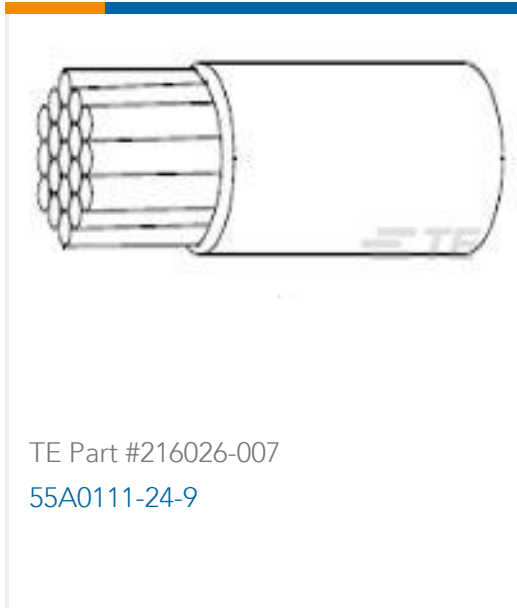
TE Part #8-2176363-2
RQ 0402 3K01 0.1% 10PPM 5K RL



TE Part #53401-1
TERMINAL,PIDG PVF2 R 26-24 4



TE Part #CV21104001
RW-175-E-1/4-X-SP



Documents

Product Drawings

S01-8-R

English

Datasheets & Catalog Pages

1654025_Sec8_B-155_CWT_SO63_S01to03_SO96

English

SolderSleeve for Space

English