

G-INS-M40-M68N-PNES-LG - Cable gland



1417656

<https://www.phoenixcontact.com/us/products/1417656>

Please be informed that the data shown in this PDF document is generated from our online catalog. Please find the complete data in the user documentation. Our general terms of use for downloads are valid.



Cable gland, material for screw connection: PA, external cable diameter 19 mm ... 28 mm, shielding: no, connecting thread: M40 x 1.5, color: lightgrey RAL 7035

Your advantages

- Plastic material conforms to UL 746C f1

Commercial data

Item number	1417656
Packing unit	1 pc
Minimum order quantity	5 pc
Sales key	BF68
Product key	BF7DCX
Catalog page	Page 686 (C-2-2019)
GTIN	4055626120997
Weight per piece (including packing)	48.76 g
Weight per piece (excluding packing)	48.76 g
Customs tariff number	39269097
Country of origin	TR

G-INS-M40-M68N-PNES-LG - Cable gland



1417656

<https://www.phoenixcontact.com/us/products/1417656>

Technical data

Mounting

Assembly instructions	1) Mount screw connection support in the housing using the correct torque 2) Insert cable 3) Tighten union nut using the correct torque
-----------------------	---

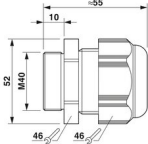
Product properties

Product type	Full screw connection
No. of conductors	1
Manufacturer	BIMED
Manufacturer Designation	BM-EN-15
Shielded	no
Execution of the strain relief	A

Characteristics

Category of shock impact	4
Design, Strain relief	A

Dimensions

Dimensional drawing	
Length	55 mm
Length of the connecting thread	10 mm
Hole diameter	40.1 mm ... 40.3 mm
Wrench size, union nut	46 mm
Wrench size, support	46 mm
Hexagon angular dimension	52 mm
Thread type connection side	M40 x 1.5
Thread pitch	1.5 mm

Material specifications

Flammability rating according to UL 94	V2
Seal material Cable seal	CR
Material for screw connection	PA

Cable/line

External cable diameter (Cable 1)	19 mm ... 28 mm
External cable diameter ()	19 mm ... 28 mm (for UL 514 B)

Environmental and real-life conditions

G-INS-M40-M68N-PNES-LG - Cable gland



1417656

<https://www.phoenixcontact.com/us/products/1417656>

Ambient conditions

Degree of protection	IP66
	IP68 (5 bar / 0.5 h)
Ambient temperature (operation)	-40 °C ... 100 °C (static)

G-INS-M40-M68N-PNES-LG - Cable gland

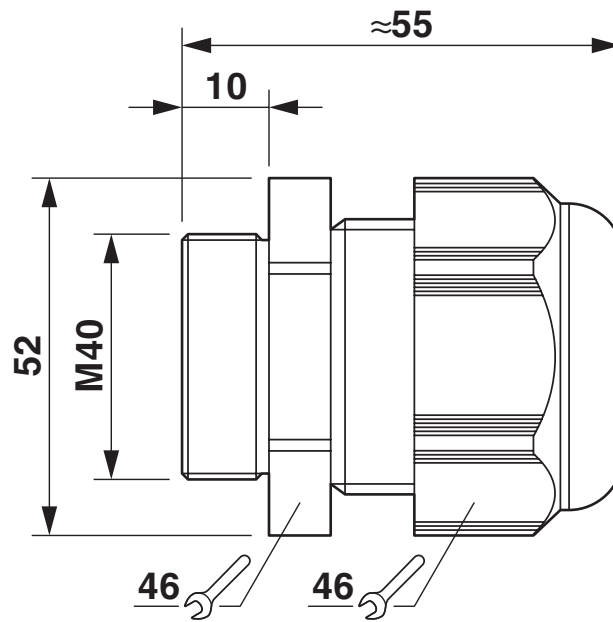


1417656

<https://www.phoenixcontact.com/us/products/1417656>

Drawings

Dimensional drawing



Dimensional drawing


G-INS-M40-M68N-PNES-LG - Cable gland



1417656

<https://www.phoenixcontact.com/us/products/1417656>

Approvals

 To download certificates, visit the product detail page: <https://www.phoenixcontact.com/us/products/1417656>

DNV

Approval ID: TAE00003WX



UL Listed

Approval ID: E199260

G-INS-M40-M68N-PNES-LG - Cable gland



1417656

<https://www.phoenixcontact.com/us/products/1417656>

Classifications

ECLASS

ECLASS-11.0	27144432
ECLASS-12.0	27140801
ECLASS-13.0	27140801

ETIM

ETIM 8.0	EC000441
----------	----------

UNSPSC

UNSPSC 21.0	39121300
-------------	----------

G-INS-M40-M68N-PNES-LG - Cable gland



1417656

<https://www.phoenixcontact.com/us/products/1417656>

Environmental product compliance

China RoHS	Environmentally friendly use period: unlimited = EFUP-e
	No hazardous substances above threshold values

G-INS-M40-M68N-PNES-LG - Cable gland



1417656

<https://www.phoenixcontact.com/us/products/1417656>

Accessories

A-INL-M40-P-LG - Counter nut

1417664

<https://www.phoenixcontact.com/us/products/1417664>

Counter nut, for threads M40 x 1.5, color: light grey



SEALING PLUG 25X30 RD - Closing cap

1421863

<https://www.phoenixcontact.com/us/products/1421863>

Closing cap, color: red



Phoenix Contact 2023 © - all rights reserved

<https://www.phoenixcontact.com>

Phoenix Contact USA
586 Fulling Mill Road
Middletown, PA 17057, United States
(+717) 944-1300
info@phoenixcon.com