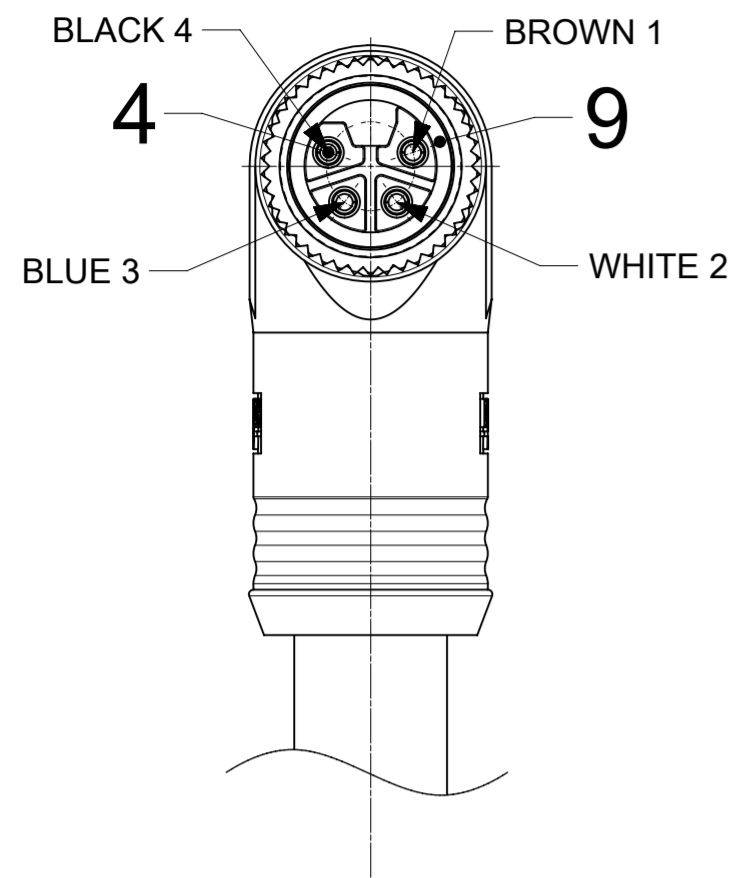
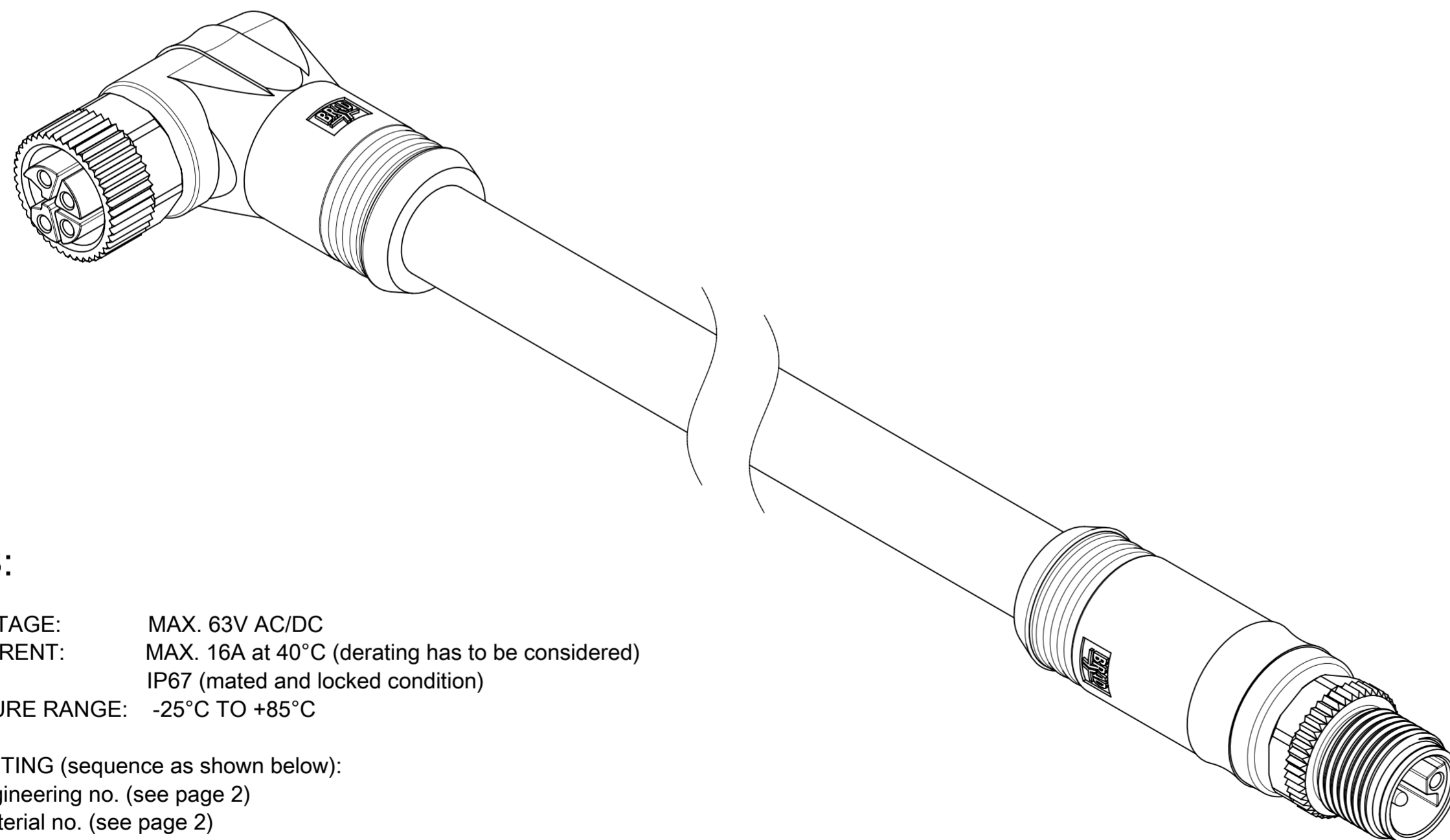
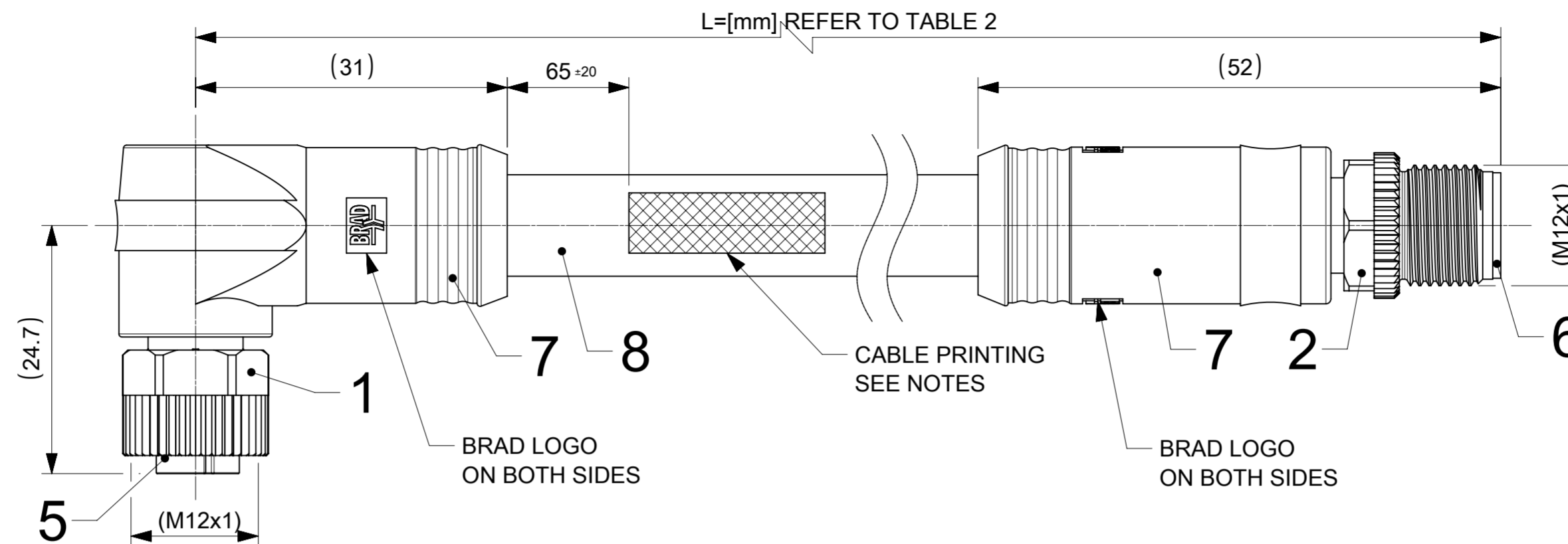
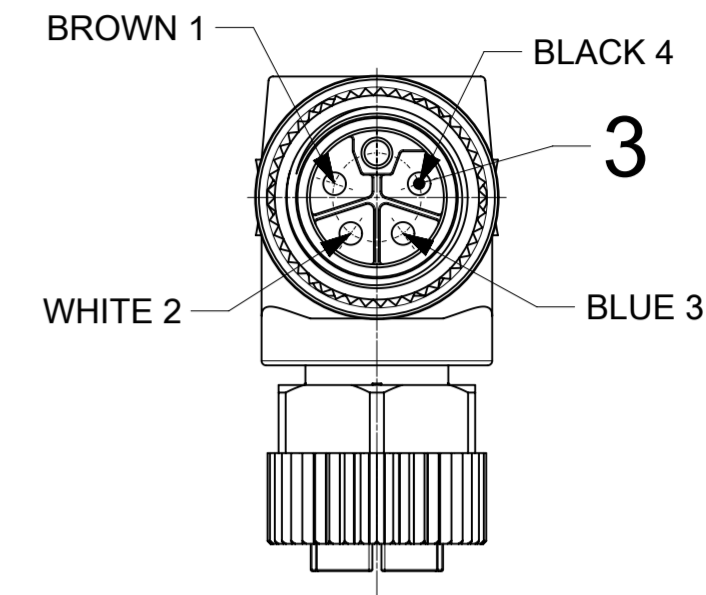


MATING SIDE
FEMALE CONNECTOR



MATING SIDE
MALE CONNECTOR



NOTES:

RATED VOLTAGE: MAX. 63V AC/DC
 RATED CURRENT: MAX. 16A at 40°C (derating has to be considered)
 IP RATING: IP67 (mated and locked condition)
 TEMPERATURE RANGE: -25°C TO +85°C

CABLE PRINTING (sequence as shown below):

- MOLEX engineering no. (see page 2)
- MOLEX material no. (see page 2)
- MOLEX MAX. 63V AC/DC MAX. 16 A USL
- MOLEX AND DATE OF MANUFACTURING (YY=YEAR; WW=WEEK): MXYWW
- Not for current interrupting
- PROFINET 24V Power 4x2,5

PART ACCORDING PRODUCT SPEC: 1205010169
 PACKAGING ACCORDING PACKAGING SPEC: 1201202000

TABLE 1

POS	DESCRIPTION	MATERIAL	FINISH
1	NUT M12 FE	BRASS	Ni
2	NUT M12 MA	BRASS	Ni
3	CONTACT 15 MA	BRASS	Au
4	CONTACT 15 FE	BRASS	Au
5	INSERT FEMALE	PA	BLACK
6	INSERT MALE	PA	BLACK
7	OVERMOLD	TPE	BLACK
8	CABLE 4x2.5 D10.1 WSOR	PUR	BLACK
9	GASKET OR 8.2X1.25	FKM	BLACK
OPTIONAL 10	ID CARRIER	-	-

THIS DRAWING CONTAINS INFORMATION THAT IS PROPRIETARY TO MOLEX ELECTRONIC TECHNOLOGIES, LLC AND SHOULD NOT BE USED WITHOUT WRITTEN PERMISSION									
FUNCTIONAL SYMBOLS	DIMENSION UNITS	SCALE	CURRENT REV DESC: UPDATED ATTRIBUTE TO GENERAL MARKET IN ECTR						
$\nabla_A = 0$	mm	2:1	EC NO: 735577 DRWN: NIKHIS3 2023/01/12 CHK'D: RSILLER APPR: RSILLER 2023/01/19 INITIAL REVISION: DRWN: FDAFERNER 2020/05/11 APPR: RSILLER 2021/10/05						
$\nabla_C = 0$	GENERAL TOLERANCES (UNLESS SPECIFIED)								
$\nabla_P = 0$	ANGULAR TOL $\pm 1.0^\circ$								
DIVISIONAL SYMBOLS	4 PLACES	\pm							
	3 PLACES	\pm	PRODUCT CUSTOMER DRAWING						
	2 PLACES	± 0.05	DOCUMENT NUMBER			DOC TYPE	DOC PART	REVISION	
	1 PLACE	± 0.3	1205010140			PSD	000	A2	
	0 PLACES	± 0.5	MATERIAL NUMBER		CUSTOMER	SHEET NUMBER			
	DRAFT WHERE APPLICABLE MUST REMAIN WITHIN DIMENSIONS		THIRD ANGLE PROJECTION	DRAWING	SERIES	SEE TABLE 2	GENERAL MARKET	1 OF 2	

ENGINEERING NO - NUMERICAL CODE (Available parts see PART LIST table. Other parts available upon request).

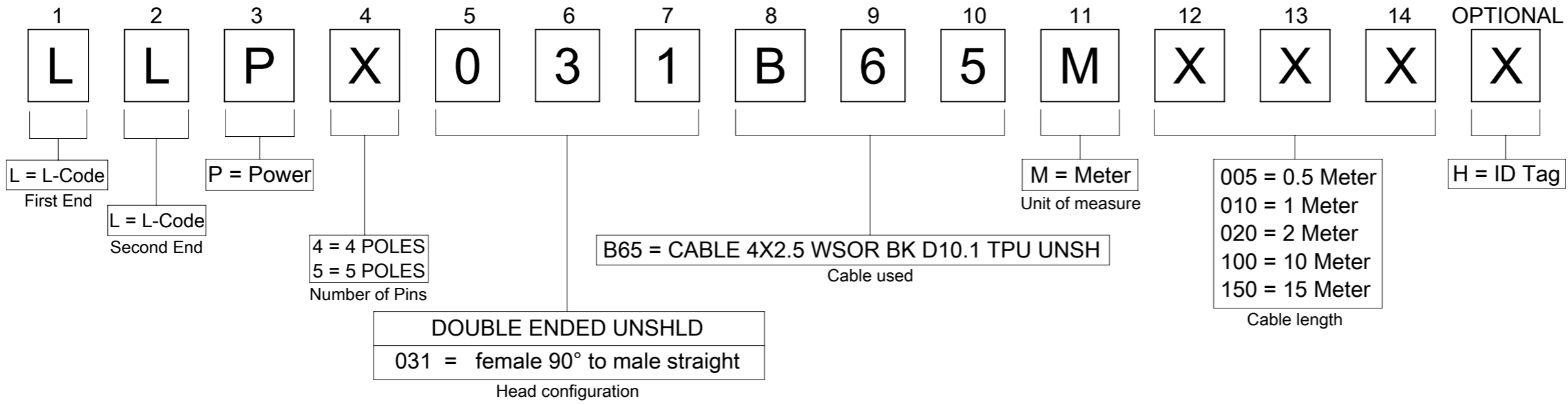


TABLE 2

NOMINAL SECTION 2,5mm ²			
MATERIAL NO.	ENGINEERING NO.	L [mm]	TOLERANCE [mm]
1205010140	LLP4031B65M005	500	+40
1205010141	LLP4031B65M010	1000	+40
1205010142	LLP4031B65M020	2000	+60
1205010143	LLP4031B65M030	3000	+60
1205010144	LLP4031B65M050	5000	+60
1205010145	LLP4031B65M100	10000	+80
1205010146	LLP4031B65M150	15000	+140
1205010147	LLP4031B65M200	20000	+140

FUNCTIONAL SYMBOLS	THIS DRAWING CONTAINS INFORMATION THAT IS PROPRIETARY TO MOLEX ELECTRONIC TECHNOLOGIES, LLC AND SHOULD NOT BE USED WITHOUT WRITTEN PERMISSION		
	DIMENSION UNITS mm	SCALE 1:1	CURRENT REV DESC: UPDATED ATTRIBUTE TO GENERAL MARKET IN ECTR
DIVISIONAL SYMBOLS	GENERAL TOLERANCES (UNLESS SPECIFIED) ANGULAR TOL ± 1.0°		
	4 PLACES ± 3 PLACES ± 2 PLACES ± 0.05 1 PLACE ± 0.3 0 PLACES ± 0.5	EC NO: 735577 DRWN: NIKHIS3 CHK'D: RSILLER APPR: RSILLER	2023/01/12 2023/01/19 2023/01/19
DRAFT WHERE APPLICABLE MUST REMAIN WITHIN DIMENSIONS		THIRD ANGLE PROJECTION	DRAWING A3-SIZE
SERIES 120501		MATERIAL NUMBER SEE TABLE 2	CUSTOMER GENERAL MARKET
DOCUMENT NUMBER 1205010140		DOC TYPE PSD	DOC PART 000
REVISION A2		SHEET NUMBER 2 OF 2	