

**NOTES:**

RATED VOLTAGE: MAX. 63V AC/DC  
 RATED CURRENT: MAX. 16A at 40°C (derating has to be considered)  
 IP RATING: IP67 (mated and locked condition)  
 TEMPERATURE RANGE: -25°C TO +85°C

CABLE PRINTING (sequence as shown below):

- MOLEX engineering no. (see page 2)
- MOLEX material no. (see page 2)
- MOLEX MAX. 63V AC/DC MAX. 16 A USR
- MOLEX AND DATE OF MANUFACTURING (YY=YEAR; WW=WEEK): MXYWW
- Not for current interrupting
- PROFINET 24V Power 4x2,5 + FE

PART ACCORDING PRODUCT SPEC: 1205010169  
 PACKAGING ACCORDING PACKAGING SPEC: 1201202000

TABLE 1

POS	DESCRIPTION	MATERIAL	FINISH
1	NUT M12 FE	BRASS	Ni
2	CONTACT 15 MA	BRASS	Au
3	CONTACT 15 FE	BRASS	Au
4	INSERT	PA	GREY
5	OVERMOLD	TPE	BLACK
6	CABLE 5x2.5 D11.3 WSOR	PUR	GREY
7	GASKET OR 8.2X1.25	FKM	BLACK
OPTIONAL 8	ID-CARRIER	-	-

FUNCTIONAL SYMBOLS	THIS DRAWING CONTAINS INFORMATION THAT IS PROPRIETARY TO MOLEX ELECTRONIC TECHNOLOGIES, LLC AND SHOULD NOT BE USED WITHOUT WRITTEN PERMISSION			
	DIMENSION UNITS: mm SCALE: 2:1 GENERAL TOLERANCES (UNLESS SPECIFIED): ANGULAR TOL ± 1.0° 4 PLACES ± 3 PLACES ± 2 PLACES ± 0.05 1 PLACE ± 0.3 0 PLACES ± 0.5	EC NO: 735577 DRWN: MARUTD 2023/01/12 CHK'D: RSILLER 2023/01/19 APPR: RSILLER 2023/01/19		
DIVISIONAL SYMBOLS	DRAFT WHERE APPLICABLE MUST REMAIN WITHIN DIMENSIONS THIRD ANGLE PROJECTION 		PRODUCT CUSTOMER DRAWING DOCUMENT NUMBER: 1205000200 DOC TYPE: PSD DOC PART: 000 REVISION: A1	
INITIAL REVISION: DRWN: FDAFERNER 2020/01/24 APPR: RSILLER 2021/03/15		MATERIAL NUMBER: SEE TABLE 2 CUSTOMER: GENERAL MARKET SHEET NUMBER: 1 OF 2		

# ENGINEERING NO - NUMERICAL CODE (Available parts see PART LIST table. Other parts available upon request).

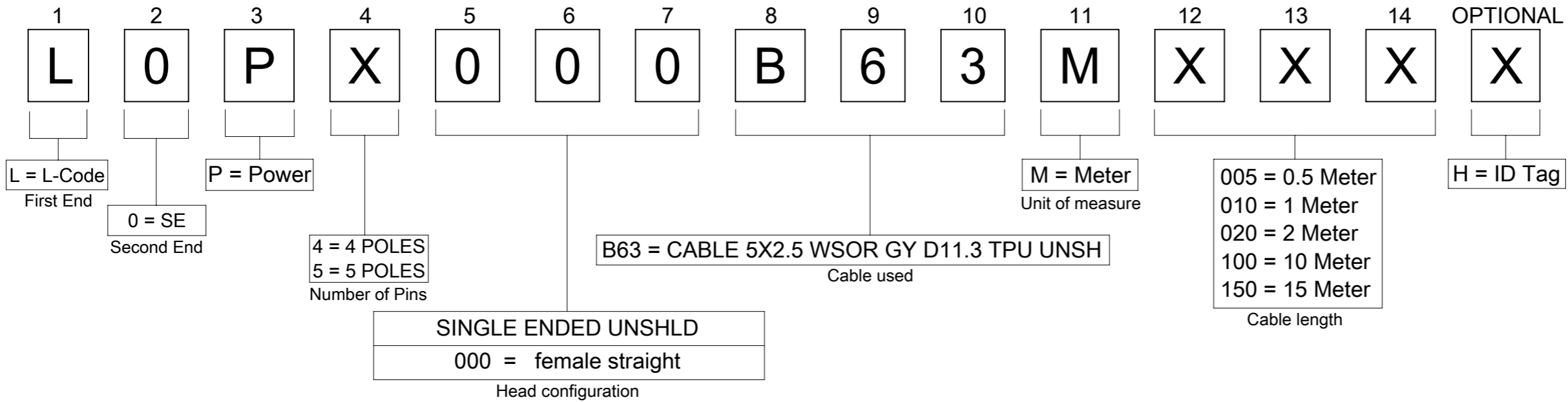


TABLE 2

NOMINAL SECTION 2,5mm <sup>2</sup>			
MATERIAL NO.	ENGINEERING NO.	L [mm]	TOLERANCE [mm]
1205000200	L0P5000B63M010	1000	+40
1205000201	L0P5000B63M020	2000	+60
1205000202	L0P5000B63M030	3000	+60
1205000203	L0P5000B63M050	5000	+60
1205000204	L0P5000B63M100	10000	+80
1205000205	L0P5000B63M150	15000	+140
1205000206	L0P5000B63M200	20000	+140

FUNCTIONAL SYMBOLS	THIS DRAWING CONTAINS INFORMATION THAT IS PROPRIETARY TO MOLEX ELECTRONIC TECHNOLOGIES, LLC AND SHOULD NOT BE USED WITHOUT WRITTEN PERMISSION		
	$\nabla_A = 0$ $\nabla_B = 0$ $\nabla_C = 0$	DIMENSION UNITS: <b>mm</b> SCALE: <b>1:1</b>	CURRENT REV DESC: UPDATED ATTRIBUTE TO GENERAL MARKET IN ECTR
DIVISIONAL SYMBOLS	GENERAL TOLERANCES (UNLESS SPECIFIED)		<b>molex</b> CSE M12 5P LC FE STR WSOR GY XM UNSH
	ANGULAR TOL $\pm 1.0^\circ$		
	4 PLACES $\pm$	EC NO: 735577	PRODUCT CUSTOMER DRAWING
	3 PLACES $\pm$	DRWN: MARUTD 2023/01/12	
2 PLACES $\pm 0.05$	CHK'D: RSILLER 2023/01/19	DOCUMENT NUMBER: <b>1205000200</b>   DOC TYPE: PSD   DOC PART: 000   REVISION: A1	
1 PLACE $\pm 0.3$	APPR: RSILLER 2023/01/19		
0 PLACES $\pm 0.5$	INITIAL REVISION:		
DRAFT WHERE APPLICABLE MUST REMAIN WITHIN DIMENSIONS		DRWN: FDAFERNER 2020/01/24 APPR: RSILLER 2021/03/15	
THIRD ANGLE PROJECTION		DRAWING: <b>A3-SIZE</b>	SERIES: <b>120500</b>
		MATERIAL NUMBER: <b>1205000200</b>	CUSTOMER: <b>GENERAL MARKET</b>
		SHEET NUMBER: <b>2 OF 2</b>	