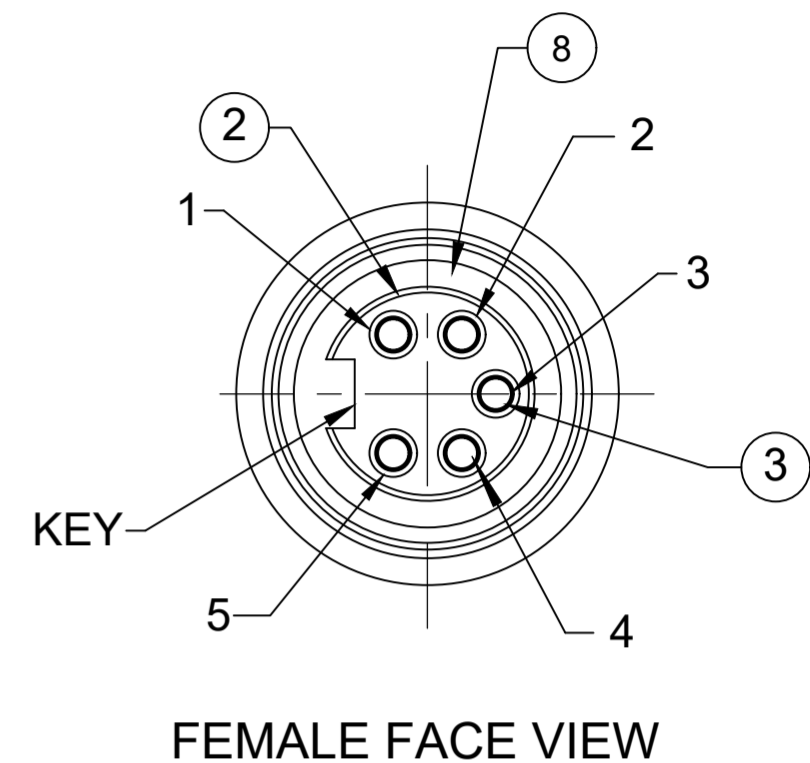
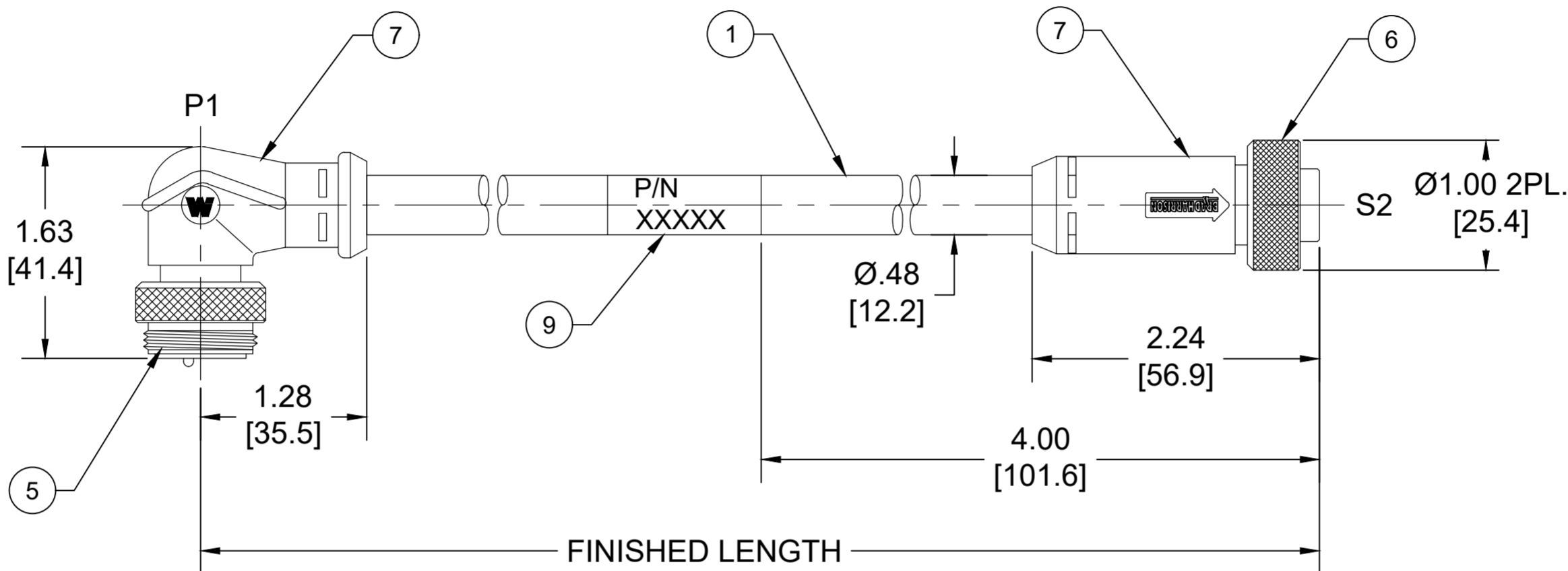
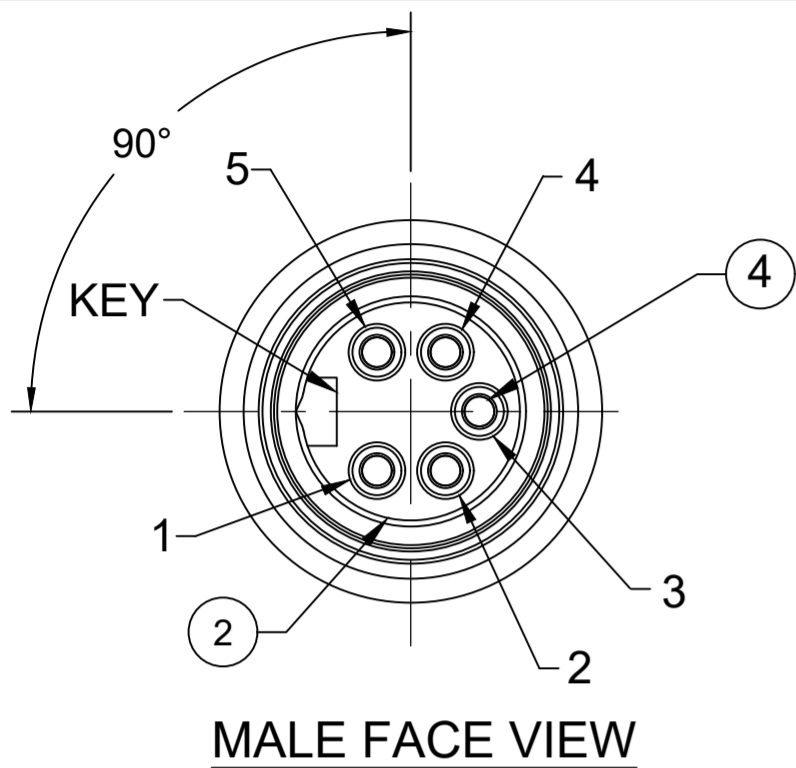


MATERIAL NUMBER	ENGINEERING NUMBER	FINISHED LENGTH
1300250153	DN19A-M005	0.5M [ 1FT 8 IN ]
1300250163	DN19A-M150	15M [ 49FT 2 IN ]
1300250170	DN19A-M300	30M [ 98FT 5 IN ]

### PART NUMBER LEGEND

**DN19A-M005**

FINISHED LENGTH:  
M005= 0.5 METER  
M010= 1 METER  
M100= 10 METER



**NOTES:**

- MATERIAL: AS NOTED
- FINISH: AS NOTED
- ELECTRICAL:  
VOLTAGE RATING PER IEC 60664: 300V  
VOLTAGE RATING PER UL: 300V  
CURRENT: 4A (B1)
- TEMP RATING: -20° TO +80°C (B1)
- PROTECTION: IP67 (WHEN MATED)
- COUPLING THREAD: 7/8-16
- UL RECOGNIZED FILE: E152210  
CSA CERTIFIED FILE: LR6837
- ALL DIMENSIONS ARE FOR REFERENCE UNLESS TOLERANCED OR NOTED OTHERWISE

P1		S2	
1	DRAIN	1	
2	RED	2	
3	BLACK	3	
4	WHITE	4	
5	BLUE	5	

**WIRING DIAGRAM**

**CABLE LENGTH TOLERANCES**

<.3M [1FT]: +19mm-0 [ +.75in-0]  
.3 - .9M [1 - 3FT]: +44.5mm-0 [+1.75in-0]  
.9 - 1.8M [3 - 6FT]: +55.6mm-0 [+2.19in-0]  
1.8 - 3.7M [6 - 12FT]: +88.9mm-0 [+3.50in-0]  
3.7 - 7.3M [12 - 24FT]: +165.1mm-0 [+6.50in-0]  
7.3-14.6M [24 - 48FT]: +317.5mm-0 [+12.50in-0]  
14.6 - 30.5M [48-100FT]: +622.3mm-0 [+24.50in-0]  
OVER 30M [100FT] +2% OF FINISHED LENGTH

9	WRAP LABEL	VINYL	BLACK/YELLOW
8	FRICTION RING	NYLON	WHITE
7	OVERMOLDS	TPE	GRAY
6	FEMALE COUPLING NUT	ZINC DIE CAST	BLACK E-COATED
5	MALE COUPLING NUT	ZINC DIE CAST	BLACK E-COATED
4	CONTACT PIN	COPPER ALLOY	GOLD OVER NICKEL
3	CONTACT SOCKET	COPPER ALLOY	GOLD OVER NICKEL
2	INSERTS	TPE	BLACK
1	CABLE-DEVICENET THICK CABLE 2/15 & 2/18 SHIELD PAIR	PVC	GRAY
ITEM	COMPONENT	MATERIAL	FINISH

FUNCTIONAL SYMBOLS	THIS DRAWING CONTAINS INFORMATION THAT IS PROPRIETARY TO MOLEX ELECTRONIC TECHNOLOGIES, LLC AND SHOULD NOT BE USED WITHOUT WRITTEN PERMISSION	
FA=0	DIMENSION UNITS	SCALE
FC=0	INCH/MM	NTS
FP=0	CURRENT REV DESC: INSERTS FINISH CHANGED FROM GRAY TO BLACK. ADDED FRICTION RING. CURRENT WAS 8A. MODIFIED TEMP RATING	
DIVISIONAL SYMBOLS	GENERAL TOLERANCES (UNLESS SPECIFIED)	
	mm	INCH
	4 PLACES	±--- ±---
	3 PLACES	±--- ±---
	2 PLACES	±--- ±---
	1 PLACE	±--- ±---
	0 PLACES	±--- ±---
	ANGULAR TOL ± --- °	
	DRAFT WHERE APPLICABLE MUST REMAIN WITHIN DIMENSIONS	THIRD ANGLE PROJECTION
		DRAWING C-SIZE
		SERIES 130025
		2017/05/02
		2017/06/14
		EC NO: 720800
		DRWN: ABENJAMINLW 2022/07/18
		CHK'D: RSTONE 2022/09/09
		APPR: BWOODMAN 2022/09/09
		INITIAL REVISION:
		DRWN: RSTONE 2017/05/02
		APPR: BWOODMAN 2017/06/14
		DOCUMENT NUMBER
		SD-130025-029
		DOC TYPE/DOC PART/REVISION
		PSD 001 B1
		MATERIAL NUMBER
		SEE CHART
		CUSTOMER
		GENERAL MARKET
		SHEET NUMBER
		1 OF 1