

Data sheet

OpDAT REG Splice Distributor for pre-terminated cables

Page 1/4

P/N

15024B10-E

EAN 4251122179716

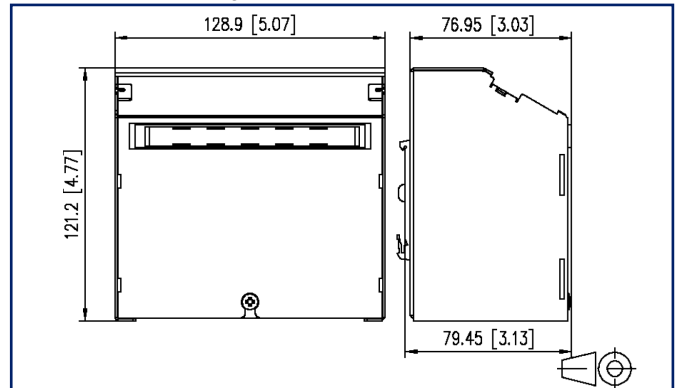
2023/04/14

Version: R

Illustrations



Dimensional drawing



See enlarged drawings at the end of document

Product specification

- Very compact splice distributor for TH35 rail
- Flat design with an inclined outlet (connections facing downward) and a large cabling space
- Great ease of use even with high cable channels in the immediate surroundings
- To mount pigtails or pre-terminated installation cables (VIKs)
- Modular design: housing, equipped front plate and splice tray are to be ordered separately
- Visible area with label strip
- The rail bracket can be mounted in different positions to the housing to allow for several mounting variants.
- Cable feed from top or bottom with a strain relief M20 (available as an option).
- Front plate (3RU/7HP) with LC-Quad, SC-Duplex, ST or E2000 adapters. Other types available on demand.
- 3 variants available:
 - OpDAT REG S V = for pre-terminated cables
 - OpDAT REG S Splice C = for 12 splices with crimp splice holders
 - OpDAT REG S Splice S = for 12 splices with shrink splice holders
- Particularly solid rail bracket
- With one captive screw of the cover
- Suitable for mixed equipment with fiber optic and copper based technology
- With a mounted blind plate it can be used on the rail as splice box only or also as a transit splice box with up to 12 (24) fibers



P | Cabling

Data sheet

Page 2/4

OpDAT REG Splice Distributor for pre-terminated cables

P/N

15024B10-E

EAN 4251122179716

2023/04/14

Version: R

Technical Data

General Data

| | |
|---|-----------------------------------|
| Mechanical measurement according to MICE | M1 |
| Ingress measurement according to MICE | I1 |
| Climatic measurement according to MICE | C1 |
| Electromagnetic measurement according to MICE | E3 |
| Design | Splice distributor |
| Color | gray |
| Dimensions | |
| Dimension (L x W x H) | 79.45 mm x 128.9 mm x 121.2 mm |
| Dimension (L x W x H) | 3.128 in. x 5.075 in. x 4.772 in. |
| Labeling option | label strip / labeling strip |

Connections/interfaces

| | |
|---------------------|---|
| Cable access/outlet | from top or bottom, with M20 gland (up to 2 possible) |
| Ground connection | grounding bolt M4 x10 with nut and lock washer |

Materials and material properties

| | |
|--------------------|-----------|
| Material - Housing | steel |
| Halogen free | yes |
| RoHS | compliant |

Classifications

| | |
|----------|----------|
| ETIM 6.0 | EC001130 |
| ETIM 7.0 | EC001130 |
| ETIM 8.0 | EC001130 |
| ETIM 9.0 | EC001130 |

Packing details

| | |
|---------------------|----------------------------------|
| Type of packaging | 1 pc(s) / box |
| Packaging dimension | 167 mm x 147 mm x 95 mm |
| Packaging dimension | 6.575 in. x 5.787 in. x 3.74 in. |

OpDAT REG Splice Distributor for pre-terminated cables

P/N
15024B10-E

EAN 4251122179716

2023/04/14

Version: R

Accessories

| P/N | Designation |
|--------------|--|
| 130810-01-E | Cover plate 3RU/7HP |
| 130B10E2E-E | Modul module frame 3RU, 7HP 6 port stainless steel unequipped |
| 130B20E2E-E | Keystone module frame 3RU, 7HP 6 port stainless steel unequipped |
| 150240M20Z-E | OpDAT REG strain relief M20 |
| 15024A0112-E | OpDAT REGpro front cover 12xST SM+MM |
| 15024A3112-E | OpDAT REGpro front cover 12xST MM |
| 15024A5812-E | OpDAT REGpro front cover 12xE2000-Simplex SM |
| 15024A5912-E | OpDAT REGpro front cover 12xE2000-Simplex APC OS2 |
| 15024A5A06-E | OpDAT REGpro front cover 6xE2000-Duplex MM |
| 15024A5B06-E | OpDAT REGpro front cover 3RU, 7HP 6xE2000-D SM (ceramic) |
| 15024A5C06-E | OpDAT REGpro front cover 6xE2000-Duplex APC OS2 |
| 15024A7203-E | OpDAT REGpro front cover 3RU, 7HP 3xLC-Q OM2 (ceramic, beige) |
| 15024A7903-E | OpDAT REGpro front cover 3xLC-Q OM4 |
| 15024AC206-E | OpDAT REGpro front cover 6xSC-Duplex MM |
| 15024AD204-E | OpDAT REGpro front cover 3RU, 7HP 6xSC-D OS2 (ceramic, metal) |
| 15024AD206-E | OpDAT REGpro front cover 6xSC-Duplex OS2 |
| 15090401-E | OpDAT crimp splice protection (12 pieces) |
| 15090402-I | OpDAT shrink splice protection |

P | Cabling

Data sheet

OpDAT REG Splice Distributor for pre-terminated cables

Page 4/4

P/N

15024B10-E

EAN 4251122179716

2023/04/14

Version: R

Illustrations

Dimensional drawing

