

Technical specification:

Rated voltage: IEC 61076-2-101	4pos 160 V
Current rating: IEC 61076-2-101	4 A at 40°C
Insulation resistance: IEC 60512	>=100 MΩ
Pollution degree: IEC 60664-1	3/2
Degree of protection: IEC 60529	IP 67, in mated condition
Temperature range: IEC 60664-1	-30°C ... +70°C
Mating cycles: IEC 60512-9a	>=100

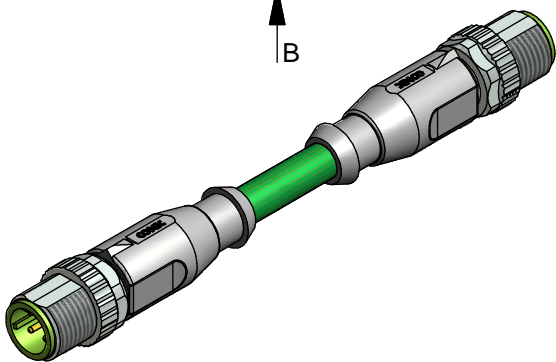
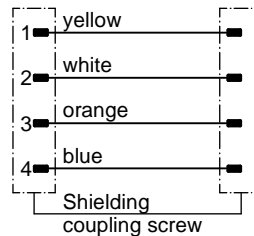
Materials:

Contact:	CuZn
Contact plating:	Nickel, gold plated
Contact carrier:	PBT GF, UL 94
Coupling screw:	GD-Zn, nickel plated
Moulding body:	TPU, UL 94, grey

Installation specification:

Recommended torque:	0,6 Nm
Conec installation tool:	Torque wrench: 36-000200 Insert across flats 13: 36-000220

Contact assignment:



Part no:	Description:	Length L:	Cable:
43-10948	SAL - 12D - RS4.2 - RS4.2 - 0,3 / G6	0,3m	TPU, UL, green, 4xAWG22 Cable: 781-G63400
43-10949	SAL - 12D - RS4.2 - RS4.2 - 0,6 / G6	0,6m	
43-10950	SAL - 12D - RS4.2 - RS4.2 - 1,5 / G6	1,5m	
43-10951	SAL - 12D - RS4.2 - RS4.2 - 3 / G6	3m	
43-xxxxx	SAL - 12D - RS4.2 - RS4.2 - ... / G6	x	

DO NOT ALTER CAD DRAWING BY HAND Directive 2002/95/EC RoHS compliant	Index: a 08.03.11 VF Ä3767 Coupling screw modified, spanner flats added, data sheet modified	dim. in mm	title: Connecting cable M12x1, male connector axial - male connector axial, Ethernet 100 MHz
	tolerance of cable: L ≤ 4m: L + 40mm L > 4m: L + 1%	date name drawn 08.03.07 Fromm appd. 08.03.07 Mankopf	
	general tolerance: 0 ± 0,50mm 0,0 ± 0,25mm 0,00 ± 0,10mm		part no: see table
	THIS DRAWING MAY NOT BE COPIED OR REPRODUCED IN ANY WAY, AND MAY NOT BE PASSED ON TO A THIRD PARTY WITHOUT WRITTEN PERMISSION. OWNERSHIP AND COPYRIGHT OF CONEC GmbH		