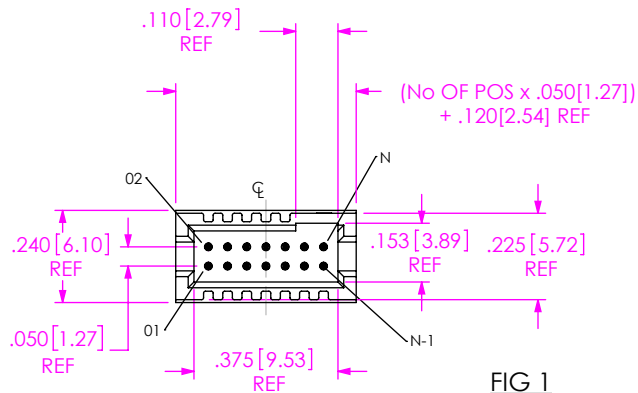


DO NOT SCALE FROM THIS PRINT



FEP CABLE OPTION
 -T: FEP
 (LEAVE BLANK FOR STANDARD
 PVC INSULATION)
 (SEE NOTE 9)

No OF POSITIONS
 -02 THRU -50 (PER ROW)

WIRE GAUGE (AWG)
 -28, -30

COLOR CODE
 LEAVE BLANK FOR ALL BLACK WIRE,
 C: COLOR CODED WIRE, SEE TABLE 2, SHEET 2
 (NOT AVAILABLE WITH FEP OPTION)

PLATING SPECIFICATION
 -H: 30µ" HEAVY GOLD IN CONTACT AREA,
 3µ" GOLD ON TAIL
 -G: 10µ" LIGHT GOLD IN CONTACT AREA,
 10µ" GOLD ON TAIL ON TAIL
 -F: 3µ" FLASH GOLD IN CONTACT AREA,
 3µ" GOLD ON TAIL
 (SEE NOTE 13)
 -GF: 3µ" FLASH GOLD IN CONTACT AREA,
 3µ" GOLD ON TAIL
 (-GF ONLY AVAILABLE TO EXISTING CUSTOMERS,
 SEE -F PLATING)

-NXX OPTION (END 2)
 (ONLY AVAILABLE WITH -D,-DL,-T,-TF,TR)
 (SEE SHEET 3 FOR -D PINOUT)
 (SEE SHEET 4 FOR -T PINOUT)
 -NUS: NOTCH UP, STRAIGHT
 -NDS: NOTCH DOWN, STRAIGHT
 -NUX: NOTCH UP, CROSSED
 -NDX: NOTCH DOWN, CROSSED

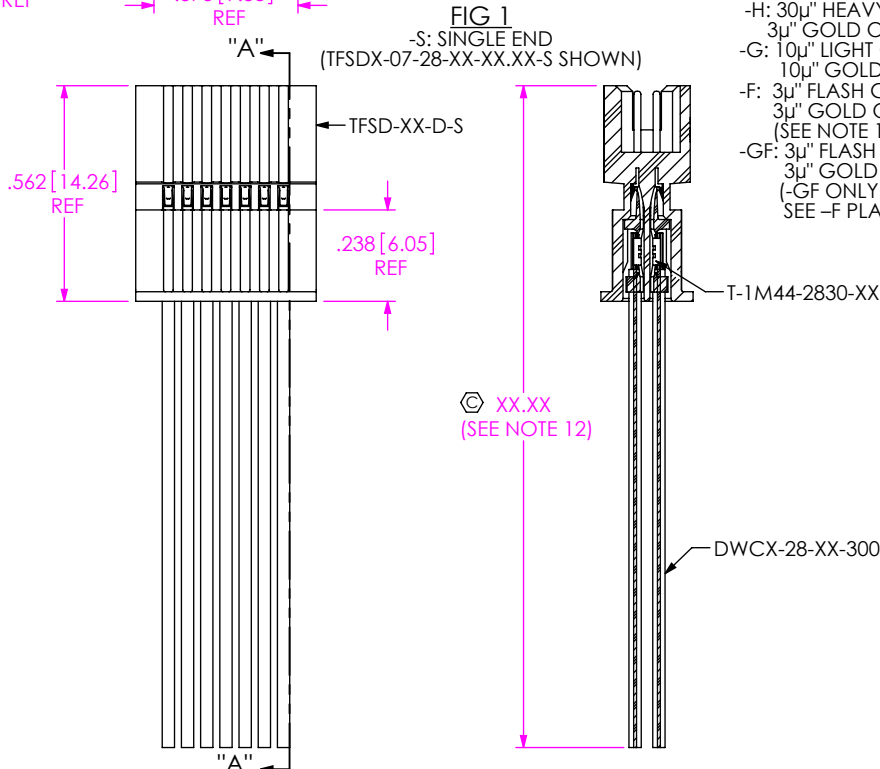
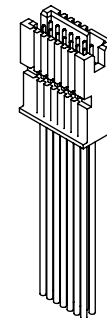
END OPTION

-S: SINGLE END
 *** -SL: SINGLE END WITH FRICTION LOCK
 (SEE SHEET 2, FIG 4)
 ** -D: DOUBLE END
 (SEE SHEET 2, FIG 2)
 ** -T: TRANSFER END
 (SEE SHEET 2, FIG 3 AND SHEET 4)
 *** -DL: DOUBLE END WITH FRICTION LOCK
 (SEE SHEET 2, FIG 5)
 *** -TF: TRANSFER END WITH FRICTION LOCK
 (SEE SHEET 2, FIG 6)
 ** -TR: TRANSFER END W/RETENTION LATCH (SEE
 SHEET 5) (MUST CHOOSE FROM -NXX OPTIONS)
 (ONLY AVAILABLE IN -05 THRU -50 POS)

ASSEMBLED LENGTH

SPECIFY IN INCHES
 (SINGLE END: 03.00 INCH [76.2mm] MINIMUM,
 DOUBLE OR TRANSFER END: 03.25 INCH [82.6mm]
 MINIMUM)

** MUST CHOOSE FROM -NXX OPTIONS
 *** ONLY AVAILABLE ON POS 5, 7, & 10 - 50



⊗ XX.XX
 (SEE NOTE 12)

SECTION "A"-"A"

NOTES:

- ⊗ REPRESENTS A CRITICAL DIMENSION.
- MINIMUM PULLOUT FORCE: 3 LBS [13.3 N].
- CONTACT MUST BE INSERTED UNTIL RETENTION FEATURE LOCKS INTO PLACE.
- ⊗ ALL FINISHED GOODS ARE TO BE ELECTRICAL TESTED INCLUDING HI-POT TEST @ 1000 VOLTS DC. AFTER FINAL ELECTRICAL TEST, MARK EACH ASSEMBLY PER INSTRUCTIONS REFERENCED IN CO-{AD-ID}-WI-3092-M.
- TINNED COPPER WIRE IS RoHS COMPLIANT.
- NOTE DELETED.
- END OF DISCRETE WIRE MUST BE IN THE RANGE AFTER CRIMP.
- REFER TO CRIMP SPECIFICATIONS PRINT FOR CRIMP AND STRIP DIMENSIONS, TOLERANCES, TOOLING AND ITS REQUIREMENTS.
- SINGLE ENDED ASSEMBLIES USING THE FEP OPTION ARE FOR CRIMP APPLICATIONS ONLY.
- NOTE DELETED.
- NOTE DELETED.
- FOR LENGTHS LESS THAN 12 IN, TOLERANCE SHALL BE ±.125[3.18]. FOR OTHER LENGTHS, TOLERANCES SHALL BE ±2%.
- USE C-203-XXXX-GF, T-1M44-XXXX-GF.
- CUT LENGTH IS ASSEMBLY LENGTH MINUS OVERALL LENGTH SUBTRACTOR.
- SEE PACKAGING MANUAL FOR PACKAGING DETAILS.

SERIES	WIRE GAUGE	WIRE	PIN	CONTACT (ONLY USED WITH -T, -TF & -TR END OPTIONS)
TFSD	28 AWG	DWC-28-XX-300	T-1M44-2830-XX	C-203-2830-XX
TFSD	30 AWG	DWC-30-XX-300	T-1M44-2830-XX	C-203-2830-XX
TFSDT	28 AWG	DWCT-28-XX-TC	T-1M44-2830-XX	C-203-2830-XX
TFSDT	30 AWG	DWCT-30-XX-TC	T-1M44-2830-XX	C-203-2830-XX

F:\DWG\MISC\MKTG\TFSDX-XX-XXX-XX-XX.XX-XX-XXX-MKT.SLDDRW

UNLESS OTHERWISE SPECIFIED,
 DIMENSIONS ARE IN INCHES.
 TOLERANCES ARE:
 DECIMALS ANGLES
 .XX: ±.01 [.3] 2°
 .XXX: ±.005 [.13]
 .XXXX: ±.0020 [.051]

PROPRIETARY NOTE
 THIS DOCUMENT CONTAINS CONFIDENTIAL AND PROPRIETARY INFORMATION AND ALL DESIGN, MANUFACTURING, REPRODUCTION, USE, PATENT RIGHTS AND SALES RIGHTS ARE EXPRESSLY RESERVED BY SAMTEC, INC. THIS DOCUMENT SHALL NOT BE DISCLOSED, IN WHOLE OR PART, TO ANY UNAUTHORIZED PERSON OR ENTITY NOR REPRODUCED, TRANSFERRED OR INCORPORATED IN ANY OTHER PROJECT IN ANY MANNER WITHOUT THE EXPRESS WRITTEN CONSENT OF SAMTEC, INC.



520 PARK EAST BLVD, NEW ALBANY, IN 47150
 PHONE: 812-944-6733 FAX: 812-948-5047
 e-Mail info@SAMTEC.com code 55322

MATERIAL: DO NOT SCALE DRAWING SHEET SCALE: 2:1
 INSULATOR: LCP, COLOR: BLACK
 CONTACT: BeCu
 CABLE INSULATION: SEE CALLOUT
 WIRE: DWC: TINNED COPPER
 DWCT: TIN PLATED COPPER
 (SEE TABLE 1)

DESCRIPTION:
 .050[1.27] SOCKET DISCRETE CABLE ASSEMBLY
 DWG. NO. TFSDX-XX-XXX-XX-XX.XX-XX-XXX
 BY: LENNY K 7/18/06 SHEET 1 OF 6

FIG 2
 -D: DOUBLE END
 (TFSDX-07-28-XX-XX.XX-D-NUS SHOWN)
 (DIFFERENT AS SHOWN,
 OTHERWISE SAME AS FIG 1)

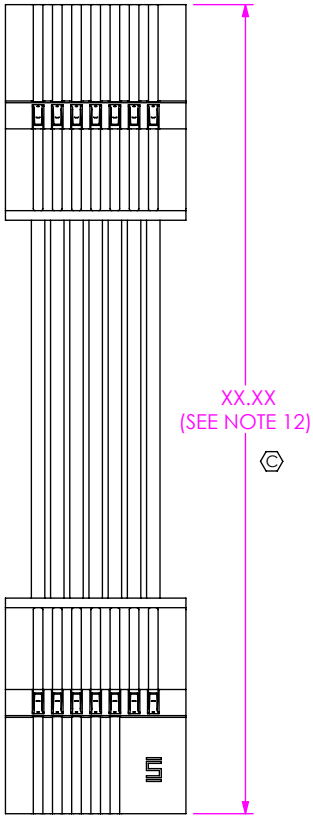


FIG 3
 -T: TRANSFER END
 (TFSDX-07-28-XX-XX.XX-T-NUS SHOWN)
 (DIFFERENT AS SHOWN,
 OTHERWISE SAME AS FIG 1)

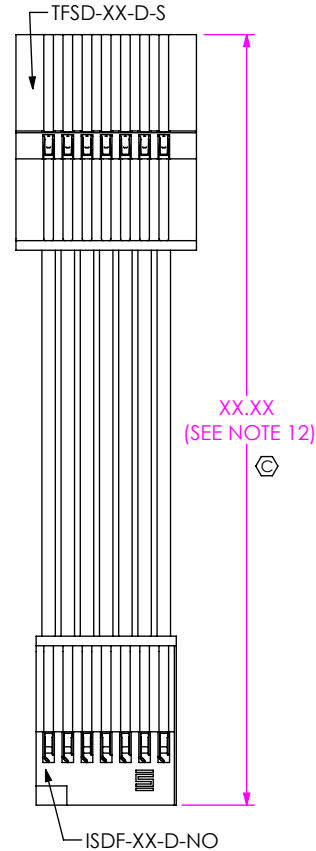


FIG 4
 -SL: SINGLE END WITH FRICTION LOCK
 (TFSDX-07-28-XX-XX.XX-SL SHOWN)
 (DIFFERENT AS SHOWN,
 OTHERWISE SAME AS FIG 1)

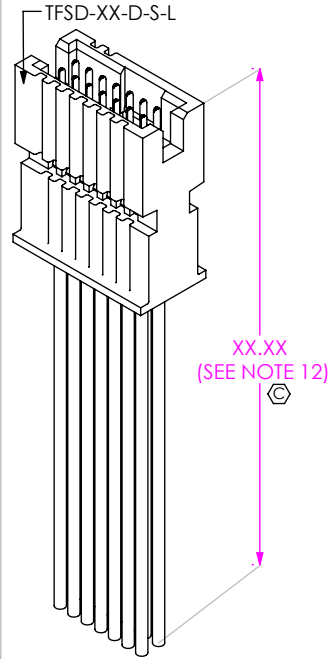


FIG 5
 -DL: DOUBLE END WITH FRICTION LOCK
 (TFSDX-07-28-XX-XX.XX-DL-NUS SHOWN)
 (DIFFERENT AS SHOWN,
 OTHERWISE SAME AS FIG 1)

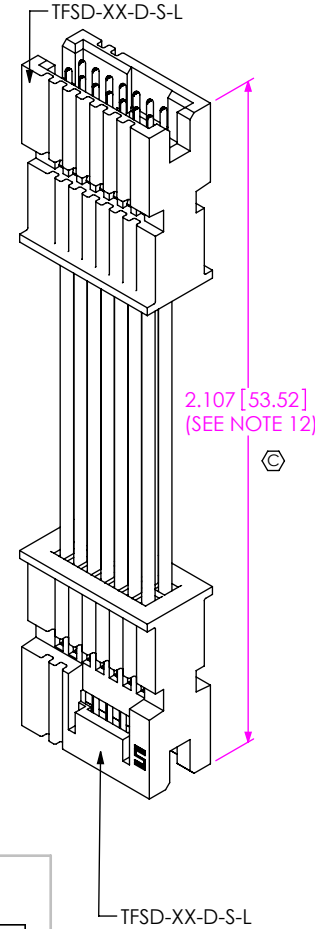


FIG 6
 -TF: TRANSFER END WITH FRICTION LOCK
 (TFSDX-07-28-XX-XX.XX-TF-NUS SHOWN)
 (DIFFERENT AS SHOWN,
 OTHERWISE SAME AS FIG 1)

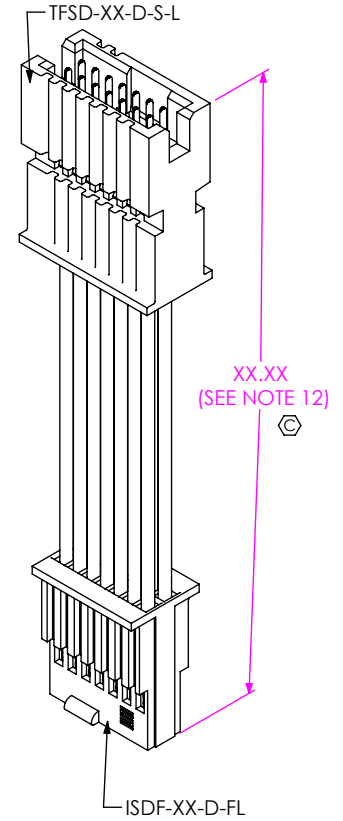


TABLE 2
 TFSD COLOR CODED WIRE SEQUENCE
 COLOR

	BROWN	RED	ORANGE	YELLOW	GREEN	VIOLET	GRAY	WHITE	BLACK	BLUE
	DWC-XX-01-300	DWC-XX-02-300	DWC-XX-03-300	DWC-XX-04-300	DWC-XX-05-300	DWC-XX-07-300	DWC-XX-08-300	DWC-XX-09-300	DWC-XX-10-300	DWC-XX-13-300
PIN #	1	2	3	4	5	6	7	8	9	10
	11	12	13	14	15	16	17	18	19	20
	21	22	23	24	25	26	27	28	29	30
	31	32	33	34	35	36	37	38	39	40
	41	42	43	44	45	46	47	48	49	50
	51	52	53	54	55	56	57	58	59	60
	61	62	63	64	65	66	67	68	69	70
	71	72	73	74	75	76	77	78	79	80
	81	82	83	84	85	86	87	88	89	90
	91	92	93	94	95	96	97	98	99	100

PROPRIETARY NOTE
 THIS DOCUMENT CONTAINS CONFIDENTIAL AND PROPRIETARY INFORMATION AND ALL DESIGN, MANUFACTURING, REPRODUCTION, USE, PATENT RIGHTS AND SALES RIGHTS ARE EXPRESSLY RESERVED BY SAMTEC, INC. THIS DOCUMENT SHALL NOT BE DISCLOSED, IN WHOLE OR PART, TO ANY UNAUTHORIZED PERSON OR ENTITY NOR REPRODUCED, TRANSFERRED OR INCORPORATED IN ANY OTHER PROJECT IN ANY MANNER WITHOUT THE EXPRESS WRITTEN CONSENT OF SAMTEC, INC.

DO NOT SCALE DRAWING

SHEET SCALE: 2:1

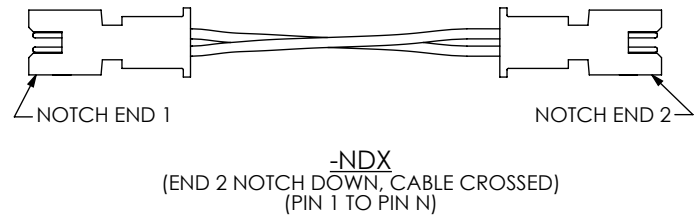
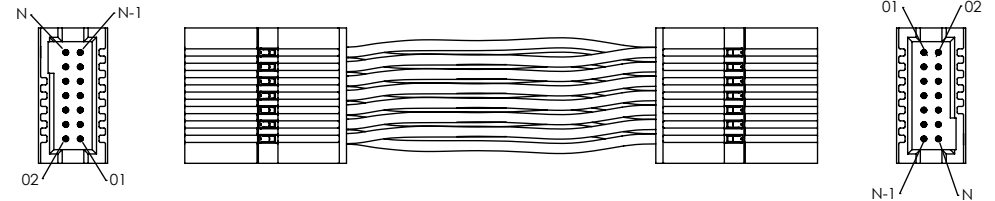
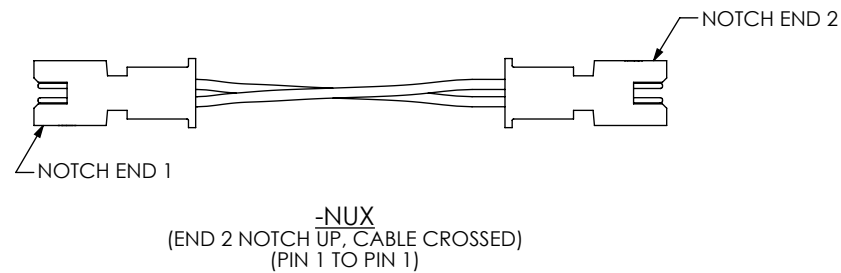
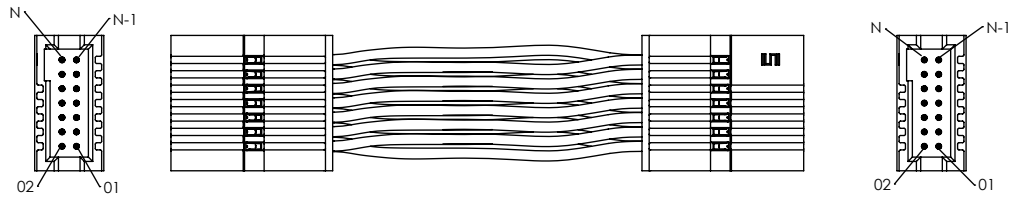
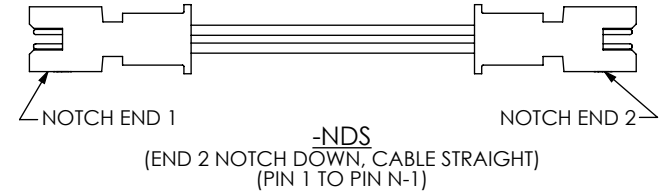
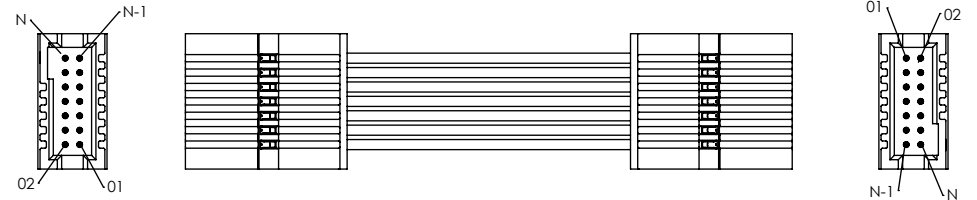
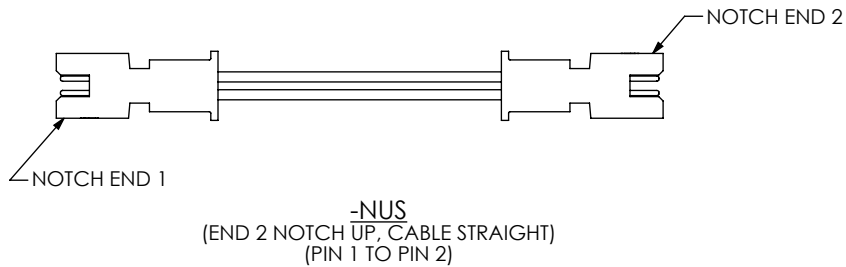
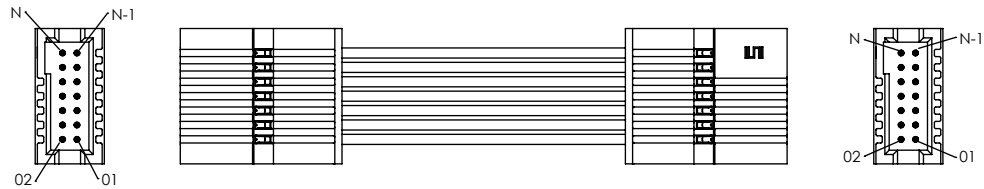


520 PARK EAST BLVD, NEW ALBANY, IN 47150
 PHONE: 812-944-6733 FAX: 812-948-5047
 e-Mail info@SAMTEC.com code 55322

DESCRIPTION:
 .050[1.27] SOCKET DISCRETE CABLE ASSEMBLY

DWG. NO.
 TFSDX-XX-XXX-XX-XX.XX-XX-XXX

BY: LENNY K 7/18/06 SHEET 2 OF 6



PROPRIETARY NOTE
 THIS DOCUMENT CONTAINS CONFIDENTIAL AND PROPRIETARY INFORMATION AND ALL DESIGN, MANUFACTURING, REPRODUCTION, USE, PATENT RIGHTS AND SALES RIGHTS ARE EXPRESSLY RESERVED BY SAMTEC, INC. THIS DOCUMENT SHALL NOT BE DISCLOSED, IN WHOLE OR IN PART, TO ANY UNAUTHORIZED PERSON OR ENTITY NOR REPRODUCED, TRANSFERRED OR INCORPORATED IN ANY OTHER PROJECT IN ANY MANNER WITHOUT THE EXPRESS WRITTEN CONSENT OF SAMTEC, INC.

DO NOT SCALE DRAWING

SHEET SCALE: 1:75:1



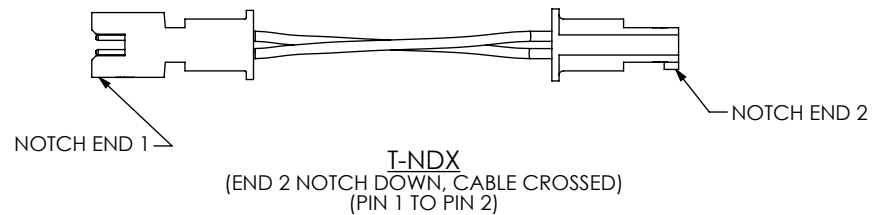
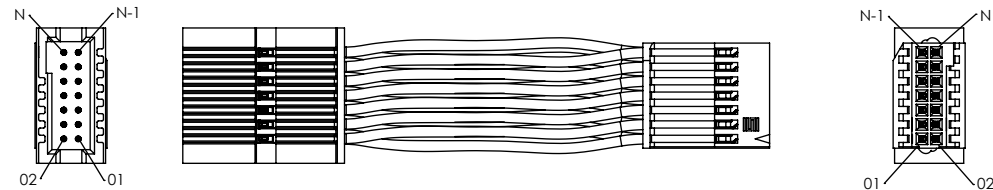
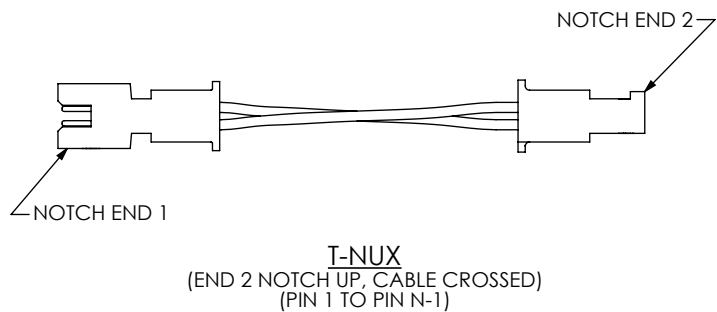
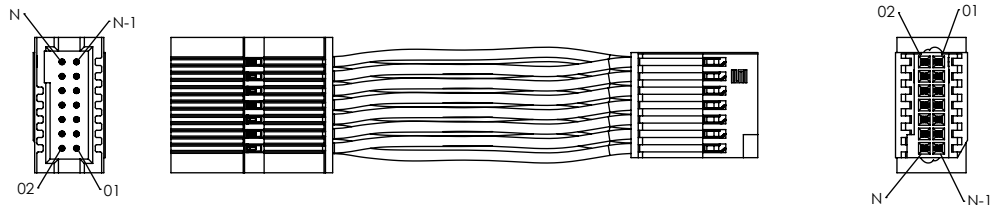
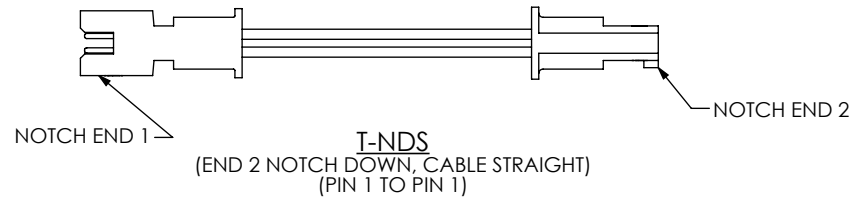
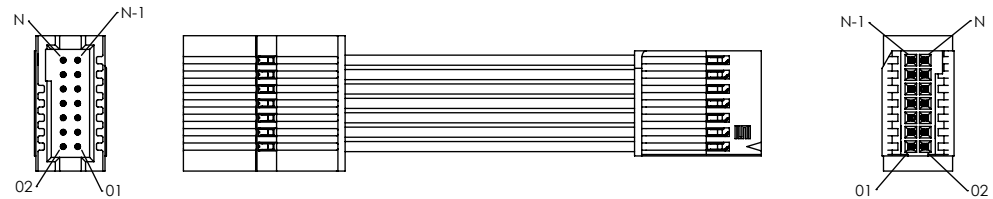
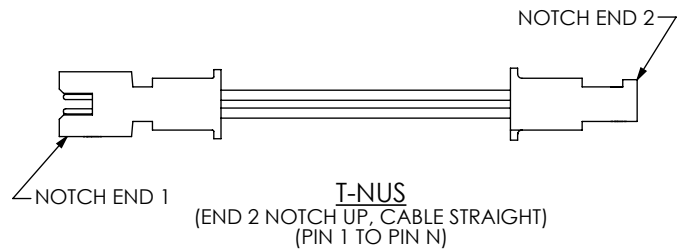
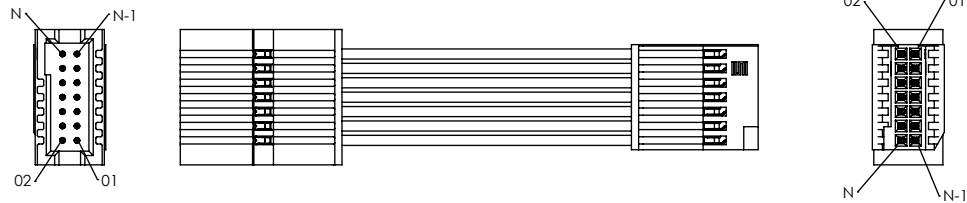
520 PARK EAST BLVD, NEW ALBANY, IN 47150
 PHONE: 812-944-6733 FAX: 812-948-5047
 e-Mail info@SAMTEC.com code 55322

DESCRIPTION:
 .050[1.27] SOCKET DISCRETE CABLE ASSEMBLY

DWG. NO.
TFSDX-XX-XXX-XX-XX.XX-XX-XXX

BY: LENNY K 7/18/06

SHEET 3 OF 6



PROPRIETARY NOTE
THIS DOCUMENT CONTAINS CONFIDENTIAL AND PROPRIETARY INFORMATION AND ALL DESIGN, MANUFACTURING, REPRODUCTION, USE, PATENT RIGHTS AND SALES RIGHTS ARE EXPRESSLY RESERVED BY SAMTEC, INC. THIS DOCUMENT SHALL NOT BE DISCLOSED, IN WHOLE OR PART, TO ANY UNAUTHORIZED PERSON OR ENTITY NOR REPRODUCED, TRANSFERRED OR INCORPORATED IN ANY OTHER PROJECT IN ANY MANNER WITHOUT THE EXPRESS WRITTEN CONSENT OF SAMTEC, INC.

DO NOT SCALE DRAWING

SHEET SCALE: 2:1



520 PARK EAST BLVD, NEW ALBANY, IN 47150
PHONE: 812-944-6733 FAX: 812-948-5047
e-Mail info@SAMTEC.com code 53322

DESCRIPTION:
.050[1.27] SOCKET DISCRETE CABLE ASSEMBLY

DWG. NO.
TFSDX-XX-XXX-XX-XX.XX-XX-XXX

BY: LENNY K 7/18/06

SHEET 4 OF 6

FIG 7

-TR: TRANSFER END WITH RETENTION LATCH
(TFSDX-07-28-XX-XX.XX-TR-NUS SHOWN)
(DIFFERENT AS SHOWN,
OTHERWISE SAME AS FIG 1)

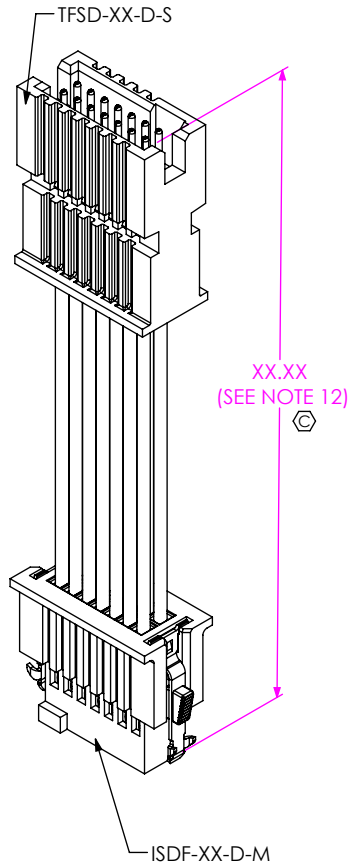


FIG 8

-TR: TRANSFER END WITH RETENTION LATCH
(TFSDX-07-28-XX-XX.XX-TR-NDS SHOWN)
(DIFFERENT AS SHOWN,
OTHERWISE SAME AS FIG 1)

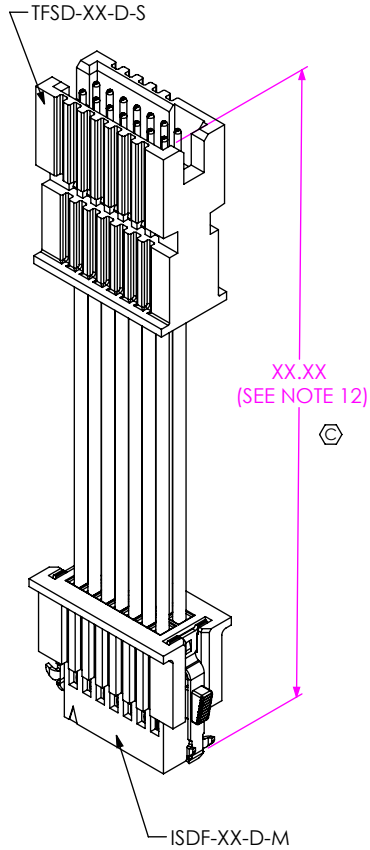


FIG 9

-TR: TRANSFER END WITH RETENTION LATCH
(TFSDX-07-28-XX-XX.XX-TR-NDX SHOWN)
(DIFFERENT AS SHOWN,
OTHERWISE SAME AS FIG 1)

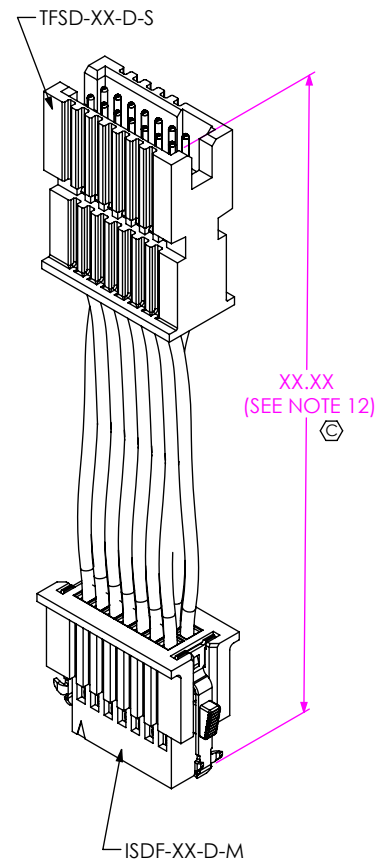
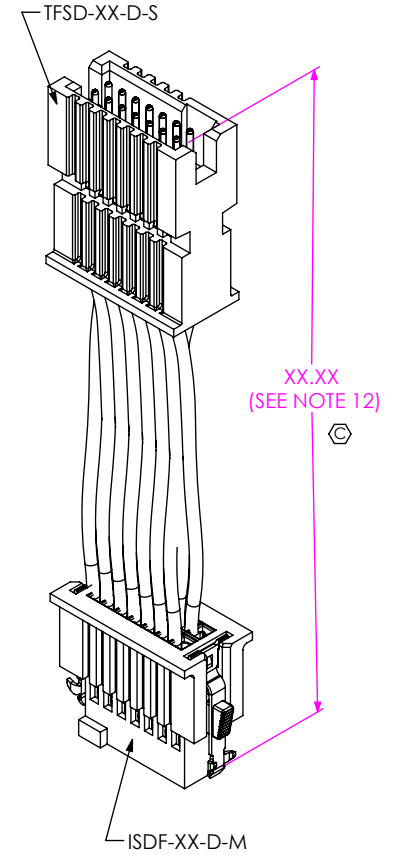


FIG 10

-TR: TRANSFER END WITH RETENTION LATCH
(TFSSX-07-28-XX-XX.XX-TR-NUX SHOWN)
(DIFFERENT AS SHOWN,
OTHERWISE SAME AS FIG 1)



PROPRIETARY NOTE

THIS DOCUMENT CONTAINS CONFIDENTIAL AND PROPRIETARY INFORMATION AND ALL DESIGN, MANUFACTURING, REPRODUCTION, USE, PATENT RIGHTS AND SALES RIGHTS ARE EXPRESSLY RESERVED BY SAMTEC, INC. THIS DOCUMENT SHALL NOT BE DISCLOSED, IN WHOLE OR PART, TO ANY UNAUTHORIZED PERSON OR ENTITY NOR REPRODUCED, TRANSFERRED OR INCORPORATED IN ANY OTHER PROJECT IN ANY MANNER WITHOUT THE EXPRESS WRITTEN CONSENT OF SAMTEC, INC.

DO NOT SCALE DRAWING

SHEET SCALE: 2:1



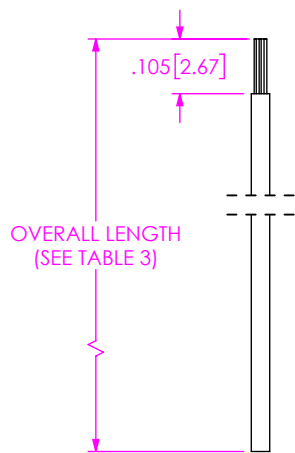
520 PARK EAST BLVD, NEW ALBANY, IN 47150
PHONE: 812-944-6733 FAX: 812-948-5047
e-Mail: info@SAMTEC.com code 55322

DESCRIPTION:
.050[1.27] SOCKET DISCRETE CABLE ASSEMBLY

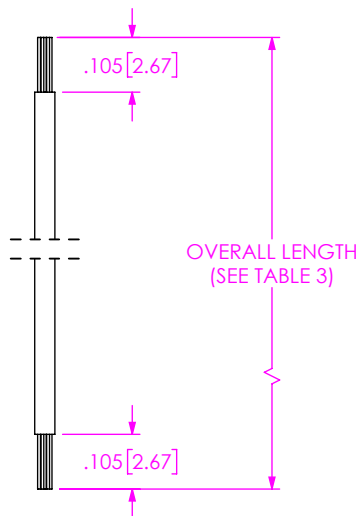
DWG. NO.
TFSDX-XX-XXX-XX-XX.XX-XX-XXX

BY: LENNY K 7/18/06 SHEET 5 OF 6

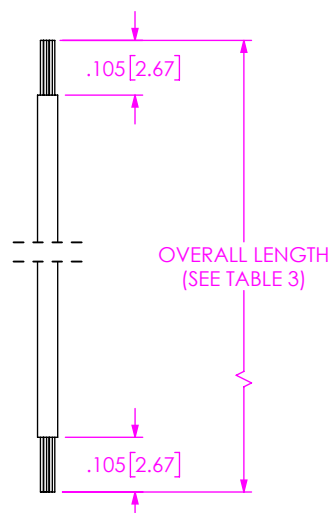
CABLE CUT IN-PROCESS



-S: SINGLE END



-D: DOUBLE END



-T: TRANSFER END

TABLE 3 (OVERALL LENGTH SUBTRACTORS) (SEE NOTE 14)	
	LENGTH
-S: SINGLE END	.400 [10.16]
-D: DOUBLE END	.800 [20.32]
-T: TRANSFER END	.675 [17.15]

PROPRIETARY NOTE
 THIS DOCUMENT CONTAINS CONFIDENTIAL AND PROPRIETARY INFORMATION AND ALL DESIGN, MANUFACTURING, REPRODUCTION, USE, PATENT RIGHTS AND SALES RIGHTS ARE EXPRESSLY RESERVED BY SAMTEC, INC. THIS DOCUMENT SHALL NOT BE DISCLOSED, IN WHOLE OR PART, TO ANY UNAUTHORIZED PERSON OR ENTITY NOR REPRODUCED, TRANSFERRED OR INCORPORATED IN ANY OTHER PROJECT IN ANY MANNER WITHOUT THE EXPRESS WRITTEN CONSENT OF SAMTEC, INC.



520 PARK EAST BLVD., NEW ALBANY, IN 47150
 PHONE: 812-944-6733 FAX: 812-948-5047
 e-Mail info@SAMTEC.com code 55322

SHEET SCALE: 2:1

DESCRIPTION:
 .050[1.27] SOCKET DISCRETE CABLE ASSEMBLY

DWG. NO.
 TFSDX-XX-XXX-XX-XX.XX-XX-XXX

BY: LENNY K 7/18/06 SHEET 6 OF 6