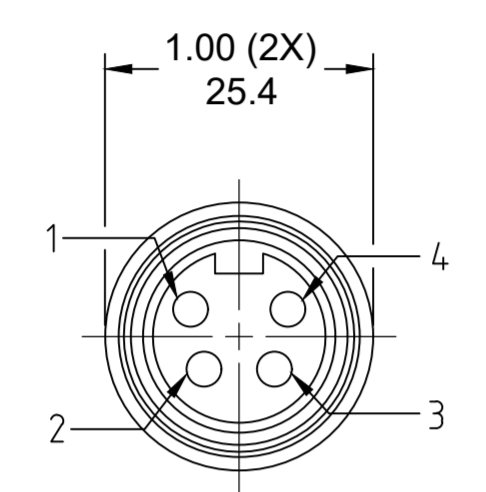


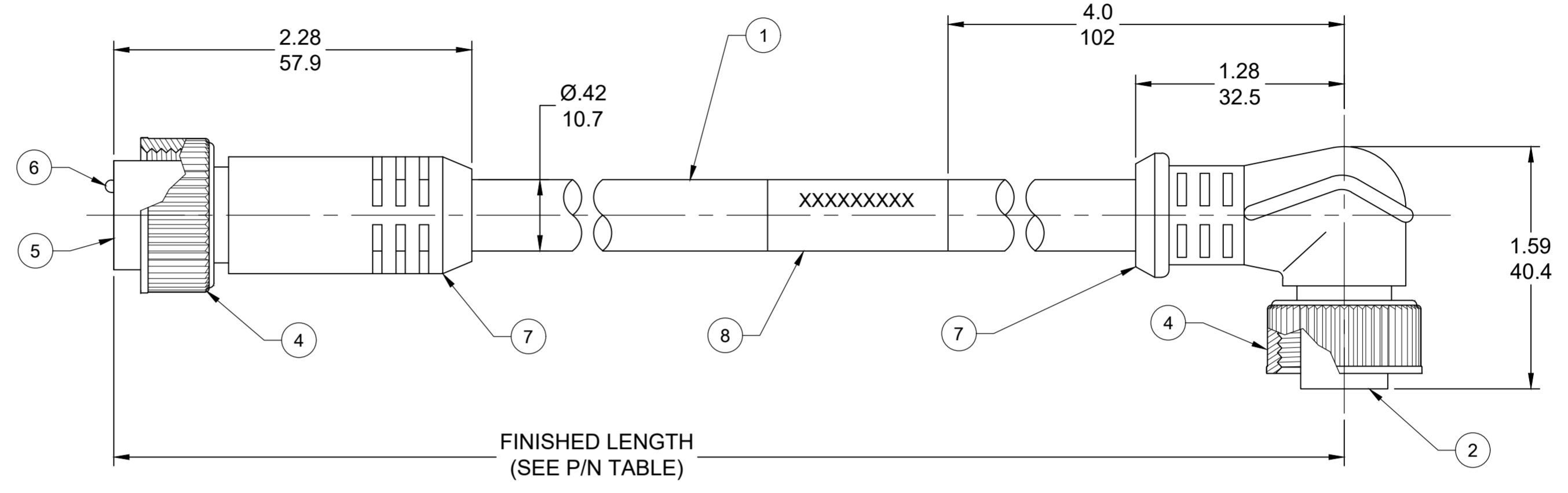
PART NO.	ENGINEERING NO.	FINISHED LENGTH
1300100638	114021A01F030	3.0 FT [0.9M]
1300100640	114021A01F060	6.0 FT [1.8M]
1300100646	114021A01F120	12.0 FT [3.7M]

CABLE LENGTH TOLERANCES			
>.3M [1FT]:	+19mm-0	[+.75in-0]	
.3 - .9M [1 - 3FT]:	+44.5mm-0	[+1.75in-0]	
.9 - 1.8M [3 - 6FT]:	+55.6mm-0	[+2.19in-0]	
1.8 - 3.7M [6 - 12FT]:	+88.9mm-0	[+3.50in-0]	
3.7 - 7.3M [12 - 24FT]:	+165.1mm-0	[+6.50in-0]	
7.3-14.6M [24 - 48FT]:	+317.5mm-0	[+12.50in-0]	
14.6 - 30.5M [48-100FT]:	+622.3mm-0	[+24.50in-0]	
OVER 30M [100FT]	+2% OF FINISHED LENGTH		



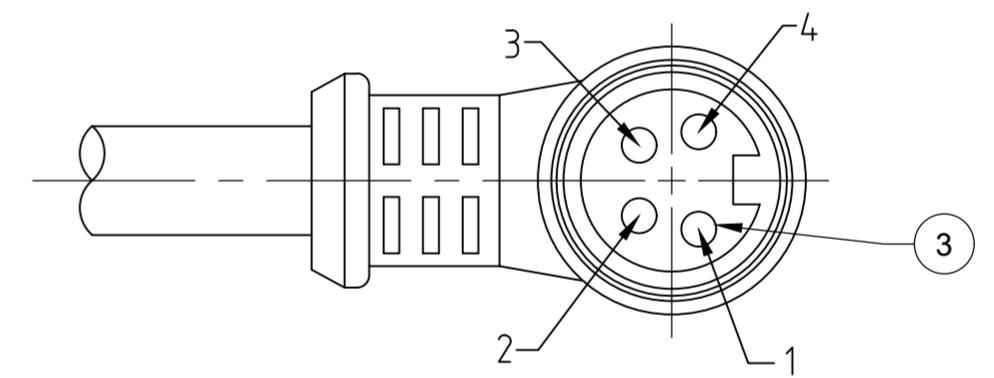
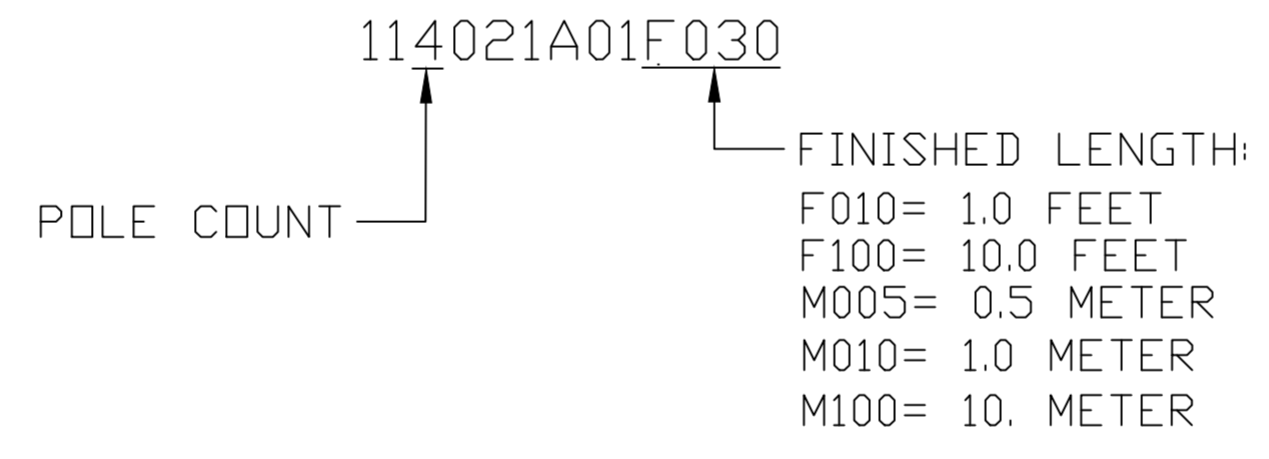
FACE VIEW-MALE INSERT

- 1-BLACK
- 2-WHITE
- 3-RED
- 4-GREEN/YELLOW



- NOTES:**
- MATERIAL: AS NOTED
 - FINISH: AS NOTED
 - ELECTRICAL:
VOLTAGE: 483V PER IEC 60664
600V PER UL 2238
CURRENT: 10A
 - TEMP RATING: -20°C TO +105°C
 - PROTECTION: IP67 (WHEN MATED)
 - COUPLING THREAD: 7/8-16 UN
 - UL RECOGNIZED FILE: E152210
CSA FILE: LR6837
 - ALL DIMS ARE FOR REFERENCE UNLESS TOLERANCED OR NOTED OTHERWISE

PART NUMBER LEGEND



FACE VIEW-FEMALE INSERT

- 1-BLACK
- 2-WHITE
- 3-RED
- 4-GREEN/YELLOW

PRE-RELEASE
 REFERENCE
 USE ONLY

ITEM	DESCRIPTION	MATERIAL	FINISH
8	FLAG LABEL	VINYL	BLACK/YELLOW
7	OVERMOLD	TPE	YELLOW
6	CONTACT PIN	COPPER ALLOY	GOLD PLATED
5	MALE INSERT (A-SIZE)	TPE	YELLOW
4	COUPLING, INT. THRD	ZINC DIE-CAST	BLACK
3	CONTACT SOCKET	COPPER ALLOY	GOLD PLATED
2	FEMALE INSERT (A-SIZE)	TPE	YELLOW
1	CABLE, 16AWG (ST00W)	PVC JACKET	YELLOW

THIS DRAWING CONTAINS INFORMATION THAT IS PROPRIETARY TO MOLEX ELECTRONIC TECHNOLOGIES, LLC AND SHOULD NOT BE USED WITHOUT WRITTEN PERMISSION											
SYMBOLS		DIMENSION UNITS		SCALE		CURRENT REV DESC: RELEASED					
▽ = 0		INCH/MM		1:1		EC NO: ---- DRWN: RSTONE 2019/10/22 CHK'D: MZIELINSKI 2019/10/31 APPR: ---- INITIAL REVISION: DRWN: RSTONE 2019/10/22 APPR: ----					
▽ = 0		GENERAL TOLERANCES (UNLESS SPECIFIED)									
▽ = 0		mm		INCH							
▽ = 0		4 PLACES ±----		±----							
▽ = 0		3 PLACES ±----		±----							
▽ = 0		2 PLACES ±----		±----							
▽ = 0		1 PLACE ±----		±----							
▽ = 0		0 PLACES ±----		±----							
▽ = 0		ANGULAR TOL ± ---- °				THIRD ANGLE PROJECTION					
▽ = 0		DRAFT WHERE APPLICABLE MUST REMAIN WITHIN DIMENSIONS				DRAWING		SERIES		MATERIAL NUMBER	
				C-SIZE		130010				CUSTOMER	
								DOCUMENT NUMBER		DOC TYPE DOC PART REVISION	
								1300100638		PSD 000 1	
								SHEET NUMBER		1 OF 1	

DOCUMENT STATUS	RV	RELEASE DATE	2019/10/31	22:20:46
12	11	10	9	8