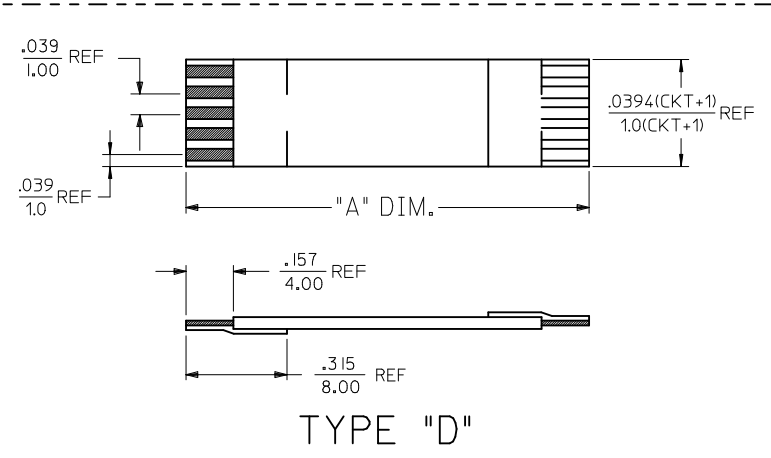
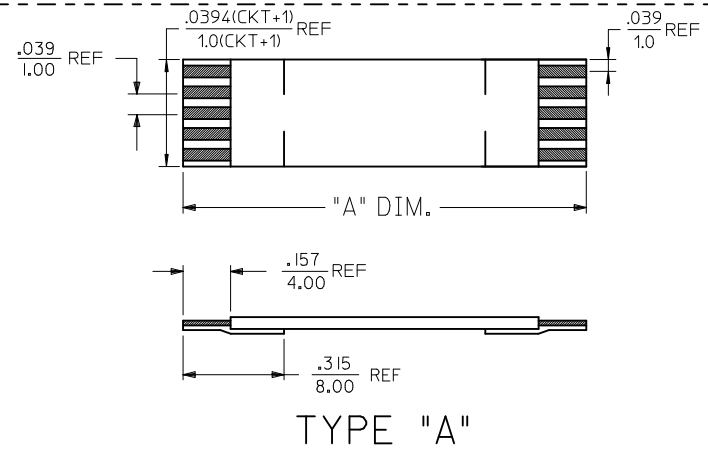


1.00MM CENTER FFC JUMPER CABLE (LOW TEMPERATURE) CHART

| 'A' DIM. | 1.181±.079 INCHES 30±2.00 MM | | 2±.079 INCHES 51±2.00 MM | | 3±.118 INCHES 76±3.00 MM | | 4±.118 INCHES 102±3.00 MM | | 5±.157 INCHES 127±4.00 MM | | 6±.157 INCHES 152±4.00 MM | | 7±.157 INCHES 178±4.00 MM | | 8±.157 INCHES 203±4.00 MM | | 9±.197 INCHES 229±5.00 MM | | 10±.197 INCHES 254±5.00 MM | | 12±.197 INCHES 305±5.00 MM | |
|----------|---------------------------------|-----------|-----------------------------|-----------|-----------------------------|-----------|------------------------------|-----------|------------------------------|-----------|------------------------------|-----------|------------------------------|-----------|------------------------------|-----------|------------------------------|-----------|-------------------------------|-----------|-------------------------------|-----------|
| | BACKER | TYPE 'A' | TYPE 'D' | TYPE 'A' | TYPE 'D' | TYPE 'A' | TYPE 'D' | TYPE 'A' | TYPE 'D' | TYPE 'A' | TYPE 'D' | TYPE 'A' | TYPE 'D' | TYPE 'A' | TYPE 'D' | TYPE 'A' | TYPE 'D' | TYPE 'A' | TYPE 'D' | TYPE 'A' | TYPE 'D' | TYPE 'A' |
| CKTS: 6 | 210390201 | 210390202 | 210390203 | 210390204 | 210390205 | 210390206 | 210390207 | 210390208 | 210390209 | 210390210 | 210390211 | 210390212 | 210390213 | 210390214 | 210390215 | 210390216 | 210390217 | 210390218 | 210390219 | 210390220 | 210390221 | 210390222 |
| CKTS: 8 | 210390223 | 210390224 | 210390225 | 210390226 | 210390227 | 210390228 | 210390229 | 210390230 | 210390231 | 210390232 | 210390233 | 210390234 | 210390235 | 210390236 | 210390237 | 210390238 | 210390239 | 210390240 | 210390241 | 210390242 | 210390243 | 210390244 |
| CKTS: 10 | 210390245 | 210390246 | 210390247 | 210390248 | 210390249 | 210390250 | 210390251 | 210390252 | 210390253 | 210390254 | 210390255 | 210390256 | 210390257 | 210390258 | 210390259 | 210390260 | 210390261 | 210390262 | 210390263 | 210390264 | 210390265 | 210390266 |
| CKTS: 12 | 210390267 | 210390268 | 210390269 | 210390270 | 210390271 | 210390272 | 210390273 | 210390274 | 210390275 | 210390276 | 210390277 | 210390278 | 210390279 | 210390280 | 210390281 | 210390282 | 210390283 | 210390284 | 210390285 | 210390286 | 210390287 | 210390288 |
| CKTS: 14 | 210390289 | 210390290 | 210390291 | 210390292 | 210390293 | 210390294 | 210390295 | 210390296 | 210390297 | 210390298 | 210390299 | 210390300 | 210390301 | 210390302 | 210390303 | 210390304 | 210390305 | 210390306 | 210390307 | 210390308 | 210390309 | 210390310 |
| CKTS: 16 | 210390311 | 210390312 | 210390313 | 210390314 | 210390315 | 210390316 | 210390317 | 210390318 | 210390319 | 210390320 | 210390321 | 210390322 | 210390323 | 210390324 | 210390325 | 210390326 | 210390327 | 210390328 | 210390329 | 210390330 | 210390331 | 210390332 |
| CKTS: 18 | 210390333 | 210390334 | 210390335 | 210390336 | 210390337 | 210390338 | 210390339 | 210390340 | 210390341 | 210390342 | 210390343 | 210390344 | 210390345 | 210390346 | 210390347 | 210390348 | 210390349 | 210390350 | 210390351 | 210390352 | 210390353 | 210390354 |
| CKTS: 20 | 210390355 | 210390356 | 210390357 | 210390358 | 210390359 | 210390360 | 210390361 | 210390362 | 210390363 | 210390364 | 210390365 | 210390366 | 210390367 | 210390368 | 210390369 | 210390370 | 210390371 | 210390372 | 210390373 | 210390374 | 210390375 | 210390376 |
| CKTS: 22 | 210390377 | 210390378 | 210390379 | 210390380 | 210390381 | 210390382 | 210390383 | 210390384 | 210390385 | 210390386 | 210390387 | 210390388 | 210390389 | 210390390 | 210390391 | 210390392 | 210390393 | 210390394 | 210390395 | 210390396 | 210390397 | 210390398 |
| CKTS: 24 | 210390399 | 210390400 | 210390401 | 210390402 | 210390403 | 210390404 | 210390405 | 210390406 | 210390407 | 210390408 | 210390409 | 210390410 | 210390411 | 210390412 | 210390413 | 210390414 | 210390415 | 210390416 | 210390417 | 210390418 | 210390419 | 210390420 |
| CKTS: 26 | 210390421 | 210390422 | 210390423 | 210390424 | 210390425 | 210390426 | 210390427 | 210390428 | 210390429 | 210390430 | 210390431 | 210390432 | 210390433 | 210390434 | 210390435 | 210390436 | 210390437 | 210390438 | 210390439 | 210390440 | 210390441 | 210390442 |
| CKTS: 28 | 210390443 | 210390444 | 210390445 | 210390446 | 210390447 | 210390448 | 210390449 | 210390450 | 210390451 | 210390452 | 210390453 | 210390454 | 210390455 | 210390456 | 210390457 | 210390458 | 210390459 | 210390460 | 210390461 | 210390462 | 210390463 | 210390464 |
| CKTS: 30 | 210390465 | 210390466 | 210390467 | 210390468 | 210390469 | 210390470 | 210390471 | 210390472 | 210390473 | 210390474 | 210390475 | 210390476 | 210390477 | 210390478 | 210390479 | 210390480 | 210390481 | 210390482 | 210390483 | 210390484 | 210390485 | 210390486 |
| CKTS: 32 | 210390487 | 210390488 | 210390489 | 210390490 | 210390491 | 210390492 | 210390493 | 210390494 | 210390495 | 210390496 | 210390497 | 210390498 | 210390499 | 210390500 | 210390501 | 210390502 | 210390503 | 210390504 | 210390505 | 210390506 | 210390507 | 210390508 |
| CKTS: 34 | 210390509 | 210390510 | 210390511 | 210390512 | 210390513 | 210390514 | 210390515 | 210390516 | 210390517 | 210390518 | 210390519 | 210390520 | 210390521 | 210390522 | 210390523 | 210390524 | 210390525 | 210390526 | 210390527 | 210390528 | 210390529 | 210390530 |
| CKTS: 36 | 210390531 | 210390532 | 210390533 | 210390534 | 210390535 | 210390536 | 210390537 | 210390538 | 210390539 | 210390540 | 210390541 | 210390542 | 210390543 | 210390544 | 210390545 | 210390546 | 210390547 | 210390548 | 210390549 | 210390550 | 210390551 | 210390552 |
| CKTS: 38 | 210390553 | 210390554 | 210390555 | 210390556 | 210390557 | 210390558 | 210390559 | 210390560 | 210390561 | 210390562 | 210390563 | 210390564 | 210390565 | 210390566 | 210390567 | 210390568 | 210390569 | 210390570 | 210390571 | 210390572 | 210390573 | 210390574 |
| CKTS: 40 | 210390575 | 210390576 | 210390577 | 210390578 | 210390579 | 210390580 | 210390581 | 210390582 | 210390583 | 210390584 | 210390585 | 210390586 | 210390587 | 210390588 | 210390589 | 210390590 | 210390591 | 210390592 | 210390593 | 210390594 | 210390595 | 210390596 |



NOTES:
 1. NO PRINTING ON JUMPER CABLE UNLESS OTHERWISE SPECIFIED. IF PRINTING IS REQUIRED THEN IT WOULD BE CONSIDERED A SPECIAL JUMPER CABLE.

| MADE DIMENSIONS REF EC NO: USW2012-0078 DRWING: M11G 2011/10/27 CHKD: APPR: SFULTON 2011/11/02 REV: | QUALITY SYMBOLS ▽=0 ▽=0 | GENERAL TOLERANCES (UNLESS SPECIFIED) <table border="1" style="width: 100%; text-align: center;"> <tr><th colspan="2">mm</th><th colspan="2">INCH</th></tr> <tr><td>4 PLACES ±</td><td>---</td><td>±</td><td>---</td></tr> <tr><td>3 PLACES ±</td><td>---</td><td>±</td><td>---</td></tr> <tr><td>2 PLACES ±</td><td>---</td><td>±</td><td>---</td></tr> <tr><td>1 PLACE ±</td><td>---</td><td>±</td><td>---</td></tr> <tr><td colspan="4">ANGULAR ± ---°</td></tr> </table> | mm | | INCH | | 4 PLACES ± | --- | ± | --- | 3 PLACES ± | --- | ± | --- | 2 PLACES ± | --- | ± | --- | 1 PLACE ± | --- | ± | --- | ANGULAR ± ---° | | | | DIMENSION STYLE IN/MM DRAWN BY: _____ DATE: _____ CHECKED BY: _____ DATE: _____ | SCALE DESIGN UNITS INCH | THIRD ANGLE PROJECTION | 1.00MM CENTER FFC JUMPER CABLE (LOW TEMPERATURE) CHART MOLEX INCORPORATED |
|---|-------------------------------|---|------------------|-----|------|--|------------|-----|---|-----|------------|-----|---|-----|------------|-----|---|-----|-----------|-----|---|-----|----------------|--|--|--|--|-------------------------------|----------------------------|--|
| | mm | | INCH | | | | | | | | | | | | | | | | | | | | | | | | | | | |
| | 4 PLACES ± | --- | ± | --- | | | | | | | | | | | | | | | | | | | | | | | | | | |
| | 3 PLACES ± | --- | ± | --- | | | | | | | | | | | | | | | | | | | | | | | | | | |
| 2 PLACES ± | --- | ± | --- | | | | | | | | | | | | | | | | | | | | | | | | | | | |
| 1 PLACE ± | --- | ± | --- | | | | | | | | | | | | | | | | | | | | | | | | | | | |
| ANGULAR ± ---° | | | | | | | | | | | | | | | | | | | | | | | | | | | | | | |
| DRAFT WHERE APPLICABLE MUST REMAIN WITHIN DIMENSIONS | | APPROVED BY: MWANG02 DATE: 2010/05/25 MATERIAL NO. SEE CHART DOCUMENT NO. SD-21039-001 | SHEET NO. 1 OF 1 | | | | | | | | | | | | | | | | | | | | | | | | | | | |
| THIS DRAWING CONTAINS INFORMATION THAT IS PROPRIETARY TO MOLEX INCORPORATED AND SHOULD NOT BE USED WITHOUT WRITTEN PERMISSION | | | | | | | | | | | | | | | | | | | | | | | | | | | | | | |
| | | | | | | | | | | | | | | | | | | | | | | | | | | | | | | |