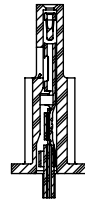
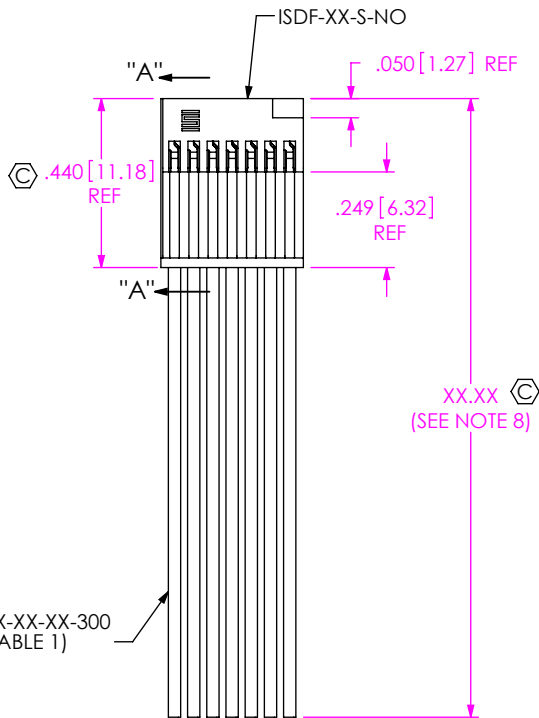
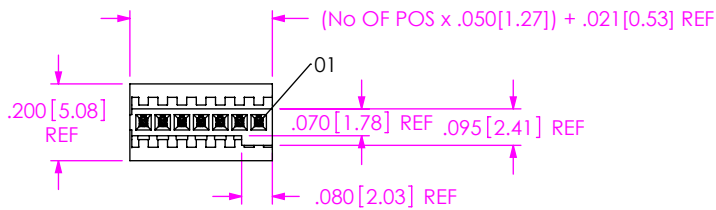


DO NOT SCALE FROM THIS PRINT



SECTION "A"- "A"

FIG 1  
-S: SINGLE END  
(SFSSX-07-28-X-XX.XX-S SHOWN)

TABLE 1		
SERIES	WIRE GAUGE	DWCX-XX-XX-300
SFSS-XX-XXX-XX-XX.XX-XX-XXX	28 AWG	DWC-28-XX-300
SFSS-XX-XXX-XX-XX.XX-XX-XXX	30 AWG	DWC-30-XX-300
SFSST-XX-XXX-XX-XX.XX-XX-XXX	28 AWG	DWCT-28-XX-TC
SFSST-XX-XXX-XX-XX.XX-XX-XXX	30 AWG	DWCT-30-XX-TC

NOTES:

1. © REPRESENTS A CRITICAL DIMENSION.
2. MINIMUM PULLOUT FORCE: 3.0 LBS [13.3 N].
3. CONTACT MUST BE INSERTED UNTIL RETENTION FEATURE LOCKS INTO PLACE.
4. ALL FINISHED GOODS ARE TO BE ELECTRICAL TESTED INCLUDING HI-POT TEST AT 1000 VOLTS DC. AFTER FINAL ELECTRICAL TEST, MARK EACH ASSEMBLY PER INSTRUCTIONS REFERENCED IN CO-{AD-ID}-WI-3092-M.
5. TINNED COPPER WIRE IS RoHS COMPLIANT.
6. NOTE DELETED.
7. END OF DISCRETE WIRE MUST BE IN THE RANGE AFTER CRIMP.
8. FOR LENGTHS LESS THAN 12 in, TOLERANCE SHALL BE +/- .125. FOR OTHER LENGTHS, TOLERANCE SHALL BE +/- 2%.
9. REFER TO CRIMP SPECIFICATIONS PRINT FOR CRIMP AND STRIP DIMENSIONS, TOLERANCES, TOOLING, AND ITS REQUIREMENTS.
10. NOTE DELETED.
11. -TC TEFLON USE FOR DOUBLE ENDED ASSEMBLIES ONLY. ALL SINGLE ENDED ASSEMBLIES USE SILVER PLATED DWCT-XX-01 UNLESS FOR CRIMP APPLICATIONS.
12. SEE PACKAGING MANUAL FOR PACKAGING DETAILS.

SFSSX-XX-XXX-XX-XX.XX-XX-XXX

FEP CABLE OPTION  
-T: FEP INSULATION  
LEAVE BLANK FOR STANDARD  
PVC INSULATION  
(SEE NOTE 11)  
No. OF POSITIONS  
-02 THRU -50

WIRE GAUGE (AWG)  
-28  
-30

COLOR CODE:  
LEAVE BLANK FOR ALL BLACK WIRE  
C: COLOR CODED WIRE, SEE TABLE 2, SHEET 4 (NOT AVAILABLE FOR TEFLON OPTION, TEFLON CABLE ONLY AVAILABLE IN BLUE)

PLATING SPECIFICATION  
(VALUES GIVEN ARE IN MICRO INCHES)  
-H: HEAVY GOLD, 30 Au / 50 Ni MIN ON CONTACT, 3 Au / 50 Ni MIN ON TAIL  
-G: GOLD, 10 Au / 50 Ni MIN ON CONTACT, 3 Au / 50 Ni MIN ON TAIL  
-F: FLASH SELECTIVE, 3 Au / 50 Ni MIN ON CONTACT, 3 Au / 50 Ni MIN ON TAIL  
\*\*-GF: FLASH SELECTIVE, 3 Au / 50 Ni MIN ON CONTACT, 3 Au / 50 Ni MIN ON TAIL (SEE TABLE 2, SHEET 4)

\*\*:-GF ONLY AVAILABLE TO EXISTING CUSTOMERS SEE -F PLATING

-NXX OPTION (END 2)  
(ONLY AVAILABLE WITH -D, -DR)  
-NUS: NOTCH UP, STRAIGHT (PIN 1 TO PIN N)  
-NDS: NOTCH DOWN, STRAIGHT (PIN 1 TO PIN 1)  
-NUS: NOTCH UP (PIN 1 TO PIN N)  
-NDX: NOTCH DOWN (PIN 1 TO PIN 1)

END OPTION  
(END OPTION COMBINATIONS NOT AVAILABLE)  
-S: SINGLE END  
-D: DOUBLE END  
(MUST CHOOSE FROM -NXX OPTIONS)  
-SR: SINGLE ENDED WITH RETENTION LATCH (SEE SHEET 4, FIG 3)  
(ONLY AVAILABLE ON -02 THRU -50 POS)  
-DR: DOUBLE ENDED WITH RETENTION LATCH (SEE SHEET 4, FIG 4)  
(ONLY AVAILABLE ON -02 THRU -50 POS)  
(MUST CHOOSE FROM -NXX OPTIONS)

ASSEMBLED LENGTH  
SPECIFY IN INCHES  
(SINGLE END: 03.00 INCH [76.2mm] MINIMUM,  
DOUBLE END: 03.25 INCH [82.6mm] MINIMUM)

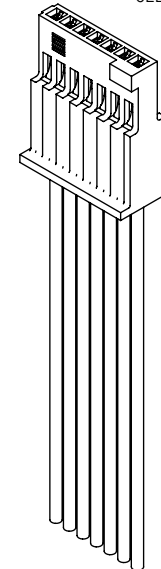
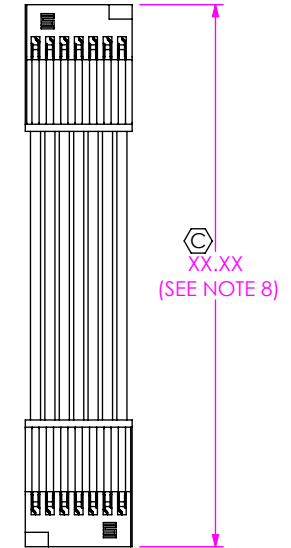


FIG 2  
-D: DOUBLE END  
(SFSSX-07-28-X-XX.XX-D-NUS SHOWN)  
(SAME AS FIG 1, UNLESS OTHERWISE STATED)



UNLESS OTHERWISE SPECIFIED, DIMENSIONS ARE IN INCHES.  
TOLERANCES ARE:  
DECIMALS ANGLES  
.XX: ±.01 [.3] 2°  
.XXX: ±.005 [.13]  
.XXXX: ±.0020 [.051]

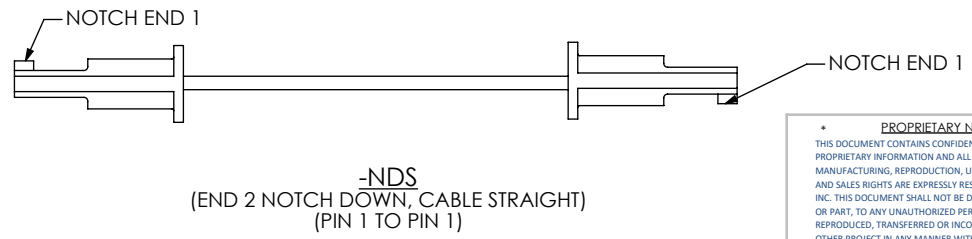
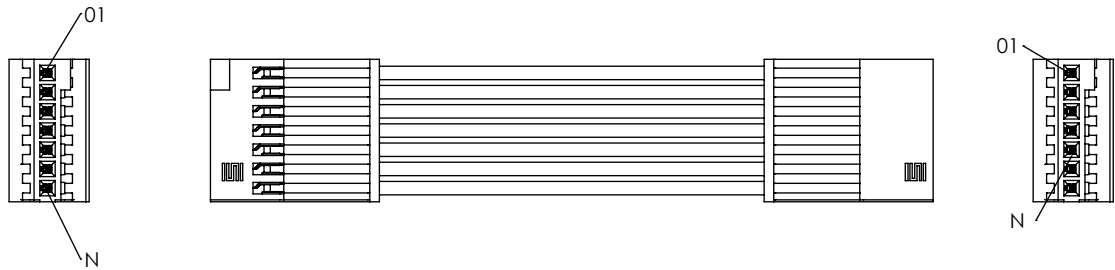
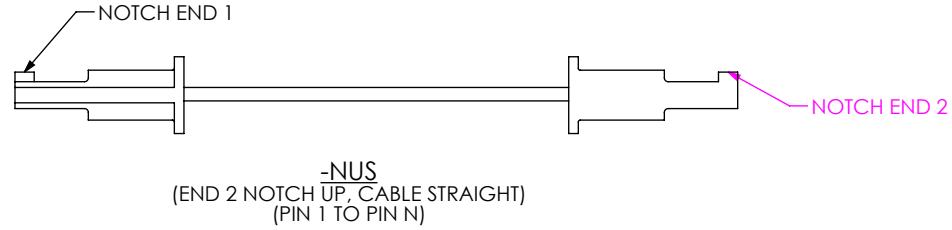
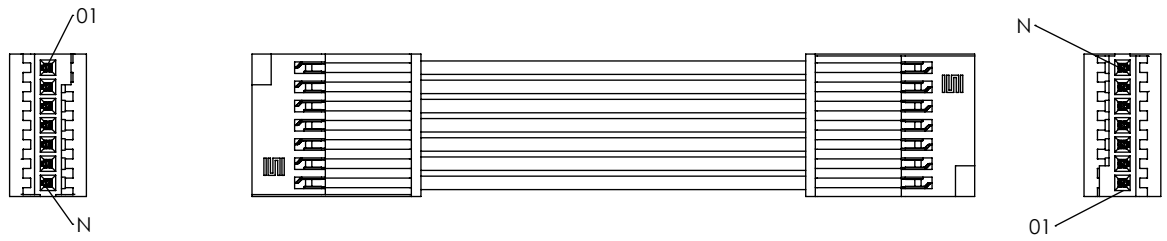
PROPRIETARY NOTE  
THIS DOCUMENT CONTAINS CONFIDENTIAL AND PROPRIETARY INFORMATION AND ALL DESIGN, MANUFACTURING, REPRODUCTION, USE, PATENT RIGHTS AND SALES RIGHTS ARE EXPRESSLY RESERVED BY SAMTEC, INC. THIS DOCUMENT SHALL NOT BE DISCLOSED, IN WHOLE OR PART, TO ANY UNAUTHORIZED PERSON OR ENTITY NOR REPRODUCED, TRANSFERRED OR INCORPORATED IN ANY OTHER PROJECT IN ANY MANNER WITHOUT THE EXPRESS WRITTEN CONSENT OF SAMTEC, INC.

MATERIAL: DO NOT SCALE DRAWING SHEET SCALE: 2:1  
INSULATOR: LCP, COLOR: BLACK  
CONTACT: BeCu  
CABLE INSULATION: PVC OR FEP  
WIRE: DWC: TINNED COPPER, DWCT: TIN PLATED COPPER (SEE TABLE 1)



520 PARK EAST BLVD, NEW ALBANY, IN 47150  
PHONE: 812-944-6733 FAX: 812-948-5047  
e-Mail: info@SAMTEC.com code 55322

DESCRIPTION:  
.050[1.27] SOCKET DISCRETE CABLE ASSEMBLY  
DWG. NO.  
SFSSX-XX-XXX-XX-XX.XX-XX-XXX  
BY: GAYNOR 6/12/2008 SHEET 1 OF 4



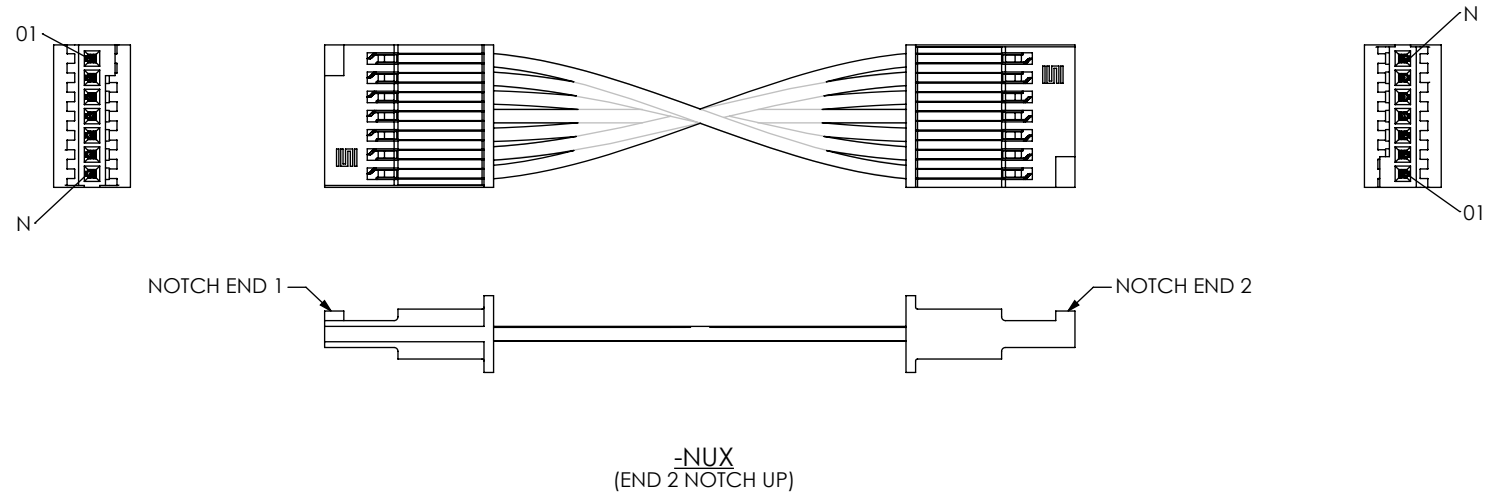
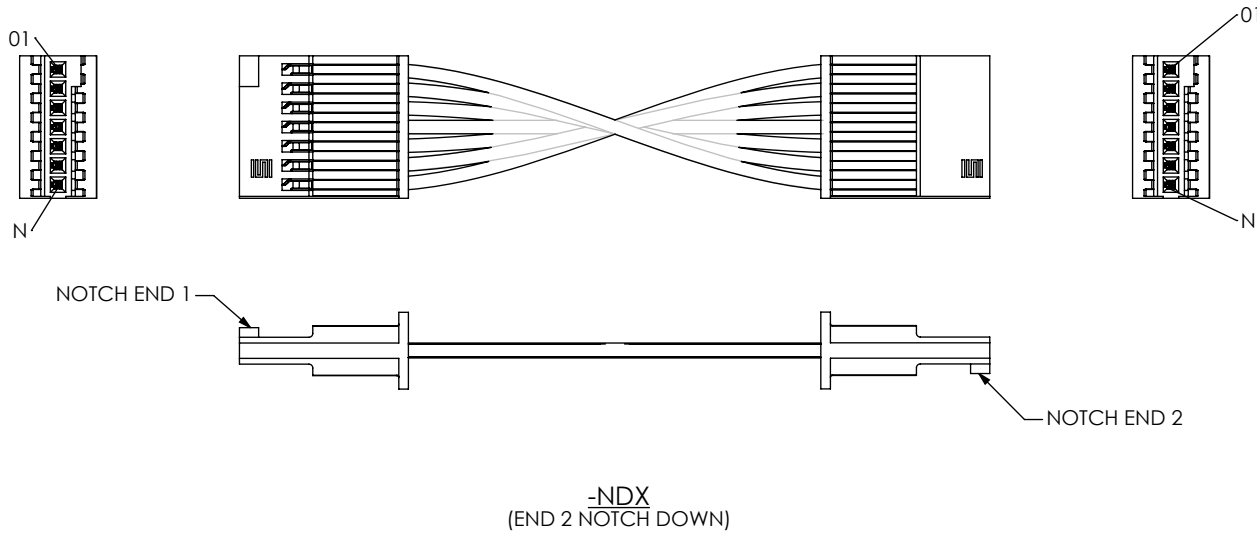
**PROPRIETARY NOTE**  
 \* THIS DOCUMENT CONTAINS CONFIDENTIAL AND PROPRIETARY INFORMATION AND ALL DESIGN, MANUFACTURING, REPRODUCTION, USE, PATENT RIGHTS AND SALES RIGHTS ARE EXPRESSLY RESERVED BY SAMTEC, INC. THIS DOCUMENT SHALL NOT BE DISCLOSED, IN WHOLE OR PART, TO ANY UNAUTHORIZED PERSON OR ENTITY NOR REPRODUCED, TRANSFERRED OR INCORPORATED IN ANY OTHER PROJECT IN ANY MANNER WITHOUT THE EXPRESS WRITTEN CONSENT OF SAMTEC, INC.

DO NOT SCALE DRAWING  
 SHEET SCALE: 1:0.571429



520 PARK EAST BLVD, NEW ALBANY, IN 47150  
 PHONE: 812-944-6733 FAX: 812-948-5047  
 e-Mail info@SAMTEC.com code 55322

DESCRIPTION: .050[1.27] SOCKET DISCRETE CABLE ASSEMBLY	
DWG. NO. SFSSX-XX-XXX-XX-XX.XX-XX-XXX	
BY: GAYNOR 6/12/2008	SHEET 2 OF 4



F:\DWG\MISC\MKTG\SFSSX-XX-XXX-XX-XX.XX-XX-XXX-MKT.SLDDRW

**PROPRIETARY NOTE**  
 \* THIS DOCUMENT CONTAINS CONFIDENTIAL AND PROPRIETARY INFORMATION AND ALL DESIGN, MANUFACTURING, REPRODUCTION, USE, PATENT RIGHTS AND SALES RIGHTS ARE EXPRESSLY RESERVED BY SAMTEC, INC. THIS DOCUMENT SHALL NOT BE DISCLOSED, IN WHOLE OR PART, TO ANY UNAUTHORIZED PERSON OR ENTITY NOR REPRODUCED, TRANSFERRED OR INCORPORATED IN ANY OTHER PROJECT IN ANY MANNER WITHOUT THE EXPRESS WRITTEN CONSENT OF SAMTEC, INC. \*

DO NOT SCALE DRAWING

SHEET SCALE: 2:1

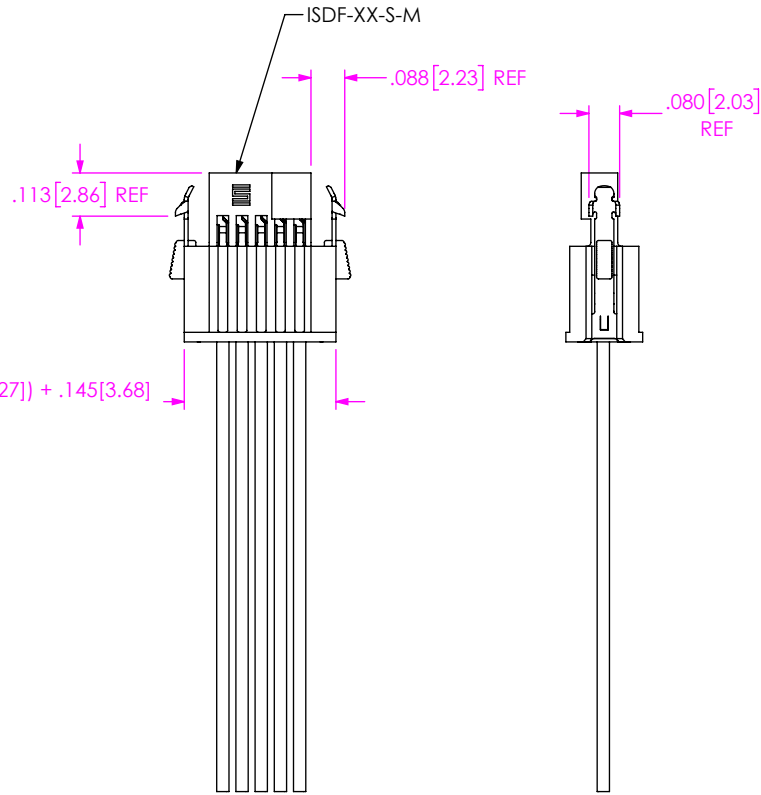


520 PARK EAST BLVD, NEW ALBANY, IN 47150  
 PHONE: 812-944-6733 FAX: 812-948-5047  
 e-Mail info@SAMTEC.com code 55322

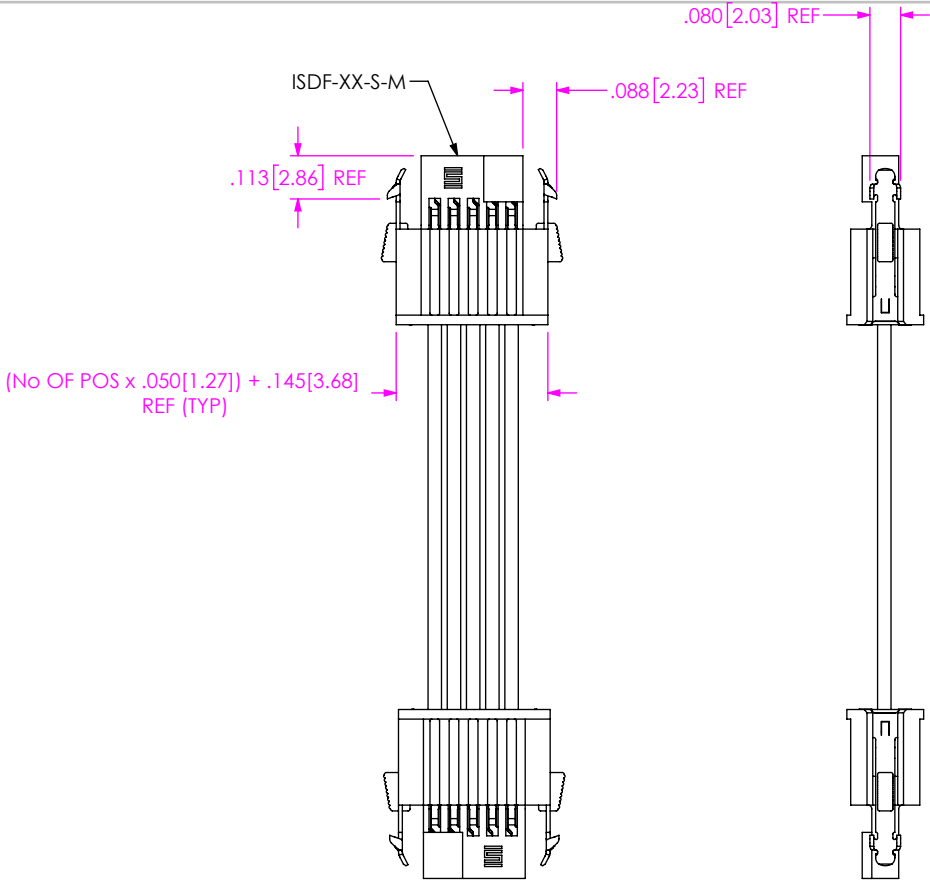
DESCRIPTION:  
 .050[1.27] SOCKET DISCRETE CABLE ASSEMBLY

DWG. NO.  
**SFSSX-XX-XXX-XX-XX.XX-XX-XXX**

BY: GAYNOR 6/12/2008 SHEET 3 OF 4



**FIG 3**  
 -SR: SINGLE END WITH RETENTION LATCH  
 (SFSSX-05-28-X-XX.XX-SR SHOWN)  
 (ONLY AVAILABLE ON -02 THRU -50 POS)  
 (SAME AS FIG 1, UNLESS OTHERWISE STATED)



**FIG 4**  
 -DR: DOUBLE END WITH RETENTION LATCH  
 (SFSSX-05-28-X-XX.XX-DR SHOWN)  
 (ONLY AVAILABLE ON -02 THRU -50 POS)  
 (SAME AS FIG 1, UNLESS OTHERWISE STATED)

TABLE 2 SFSS COLOR CODED WIRE SEQUENCE										
COLOR										
	BROWN	RED	ORANGE	YELLOW	GREEN	VIOLET	GRAY	WHITE	BLACK	BLUE
	DWC-XX-01-300	DWC-XX-02-300	DWC-XX-03-300	DWC-XX-04-300	DWC-XX-05-300	DWC-XX-07-300	DWC-XX-08-300	DWC-XX-09-300	DWC-XX-10-300	DWC-XX-13-300
PIN #	1	2	3	4	5	6	7	8	9	10
	11	12	13	14	15	16	17	18	19	20
	21	22	23	24	25	26	27	28	29	30
	31	32	33	34	35	36	37	38	39	40
	41	42	43	44	45	46	47	48	49	50

TABLE 2: PLATING	
PLATING	CONTACT
-H	C-203-2830-H or CC03X-2830-01-H
-GF	C-203-2830-GF or CC03X-2830-01-GF
-G	C-203-2830-G or CC03X-2830-01-G
-F	C-203-2830-GF or CC03X-2830-01-GF

**PROPRIETARY NOTE**  
 THIS DOCUMENT CONTAINS CONFIDENTIAL AND PROPRIETARY INFORMATION AND ALL DESIGN, MANUFACTURING, REPRODUCTION, USE, PATENT RIGHTS AND SALES RIGHTS ARE EXPRESSLY RESERVED BY SAMTEC, INC. THIS DOCUMENT SHALL NOT BE DISCLOSED, IN WHOLE OR PART, TO ANY UNAUTHORIZED PERSON OR ENTITY NOR REPRODUCED, TRANSFERRED OR INCORPORATED IN ANY OTHER PROJECT IN ANY MANNER WITHOUT THE EXPRESS WRITTEN CONSENT OF SAMTEC, INC.

DO NOT SCALE DRAWING

SHEET SCALE: 4:1



520 PARK EAST BLVD, NEW ALBANY, IN 47150  
 PHONE: 812-944-6733 FAX: 812-948-5047  
 e-Mail info@SAMTEC.com code 55322

DESCRIPTION:  
 .050 [1.27] SOCKET DISCRETE CABLE ASSEMBLY  
 DWG. NO.  
**SFSSX-XX-XXX-XX-XX.XX-XX-XXX**  
 BY: GAYNOR 6/12/2008 SHEET 4 OF 4