

Ratings
 Voltage: 150 V
 Temperature: -40~70 °C

Conductor
 Conductor count: 9
 Gauge: 24 AWG 0.21 mm²
 Material: Tinned copper strands
 Strand size: ϕ 0.08 x 41
 Resistance at 20 °C: 95 Ω /km max

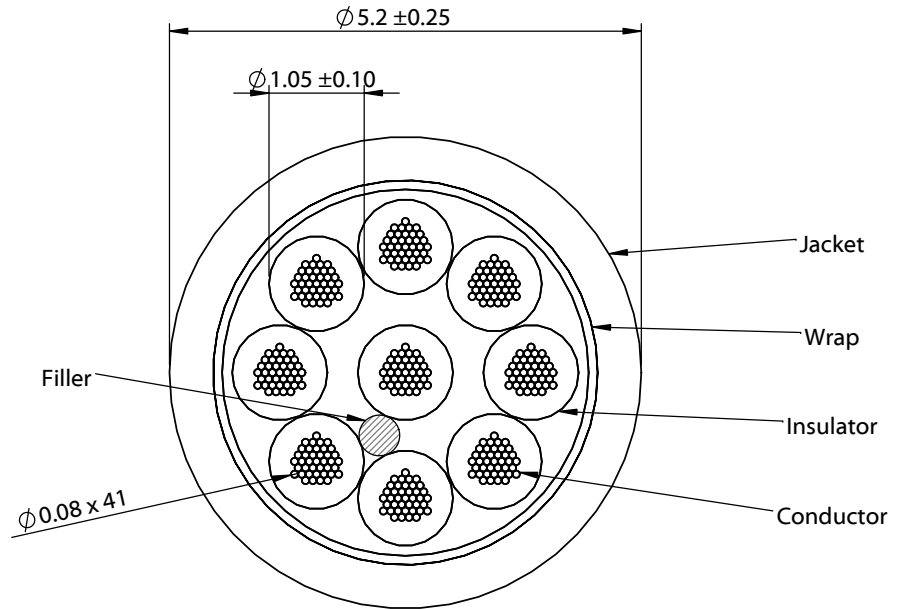
Insulator
 Material: HDPE
 Color: white, black, red, yellow, blue, green, orange, purple, gray
 Diameter: ϕ 1.05 \pm 0.10 mm
 Nominal thickness: 0.22 mm
 Resistance at 20 °C: 100 M Ω /km min

Wrap
 Material: cotton paper

Filler
 Material: aramid fiber

Outer jacket
 Material: TPU
 Color: black
 Diameter: ϕ 5.2 \pm 0.25 mm
 Nominal thickness: 0.60 mm

Tests
 Tensile strength: 26 kgf min
 Dielectric test: 1500 V dc for 1 minute without breakdown
 Bend test at 200 g, \pm 60 °, 30 cycles /min: 15,000 cycle minimum



Revision:	Date:	Description:	Prepared:	Notes: RoHS compliant Jacket meets ISO 10993 Biological Compatibility Phthalate and halogen free Function test: no open, no short, no intermittent	<h1>TENSILITY</h1> <p>tel 1.541.323.3228 800 877.670.7118 fax 1.541.323.4202 web tensility.com</p>	
A	9/7/2022	Initial release	Verified:			
			Dimensions are in millimeters. Tolerances: X: \pm 0.5 mm X.X: \pm 0.3 mm X.XX: \pm 0.05 mm	Description:	Size: Part number:	
				Wire, 9C TS, 24 AWG, 150V, 70C, 5.2 mm, TPU, 75A, WBL	A 30-02689	
				Scale: 12:1		Sheet 1 of 1