

DO NOT SCALE FROM THIS PRINT

TABLE 1		
No OF POS	"A"	"X"
-02	1.000 [.0394]	4.400 [.1732]
-03	2.000 [.0787]	5.400 [.2126]
-04	3.000 [.1181]	6.400 [.2520]
-05	4.000 [.1575]	7.400 [.2913]
-06	5.000 [.1969]	8.400 [.3307]
-07	6.000 [.2362]	9.400 [.3701]
-08	7.000 [.2756]	10.400 [.4094]
-09	8.000 [.3150]	11.400 [.4488]
-10	9.000 [.3543]	12.400 [.4882]
*-11	10.000 [.3937]	13.400 [.5276]
*-12	11.000 [.4331]	14.400 [.5669]
*-13	12.000 [.4724]	15.400 [.6063]
*-14	13.000 [.5118]	16.400 [.6457]
*-15	14.000 [.5512]	17.400 [.6850]
*-16	15.000 [.5906]	18.400 [.7244]
*-17	16.000 [.6299]	19.400 [.7638]
*-18	17.000 [.6693]	20.400 [.8031]
*-19	18.000 [.7087]	21.400 [.8425]
*-20	19.000 [.7480]	22.400 [.8819]

(\* = NOT TOOLED)

DESIGNED & DIMENSIONED IN MILLIMETERS [INCHES] ALL DIMENSION REFERENCE

T1XSX-XX-XXX-XX-XX.X-X-XX

**PANEL**  
 \*\*-P: PANEL MOUNT  
 -S: NON-PANEL MOUNT

**FEP CABLE OPTION**  
 -T: FEP INSULATION  
 LEAVE BLANK FOR PVC (SEE NOTE 7)

**No OF POSITIONS**  
 -02 THRU -10  
 \*-11 THRU \*-20 (PER ROW)

**WIRE GAUGE (AWG)**  
 -28, -30

**COLOR CODE**  
 -C: COLOR CODE WIRE (SEE TABLE 2, SHT 2)  
 (LEAVE BLANK FOR STANDARD WIRE) (NOT AVAILABLE WITH FEP OPTION)

**PINOUT**  
 (LEAVE BLANK FOR SINGLE END ASSEMBLY)  
 \*\*\*-D1: DOUBLE ENDED DOWN  
 \*\*\*-D3: DOUBLE ENDED UP  
 -T1: TRANSFER TO SOCKET DOWN  
 -T3: TRANSFER TO SOCKET UP

**PANEL OPTION**  
 (LEAVE BLANK FOR NON-PANEL MOUNT)  
 A: FITS 0.84, 1.57, & 2.29 THICK PANELS

**ASSEMBLED LENGTH**  
 (SPECIFY IN INCHES) 01.8 IN MINIMUM

**PLATING SPECIFICATION**  
 -GF: 3µ" GOLD CONTACT AND TAIL

\* = NOT TOOLED  
 \*\* = NOT AVAILABLE IN -02 POS  
 \*\*\* = NOT AVAILABLE FOR -P OPTION

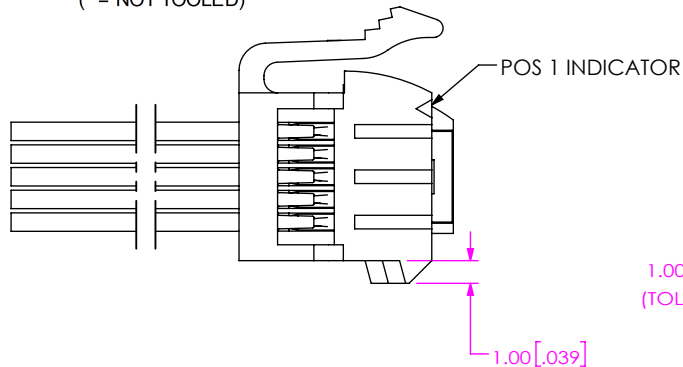


FIG 1  
T1PSX-05-XXX-XX-XX.X-A SHOWN

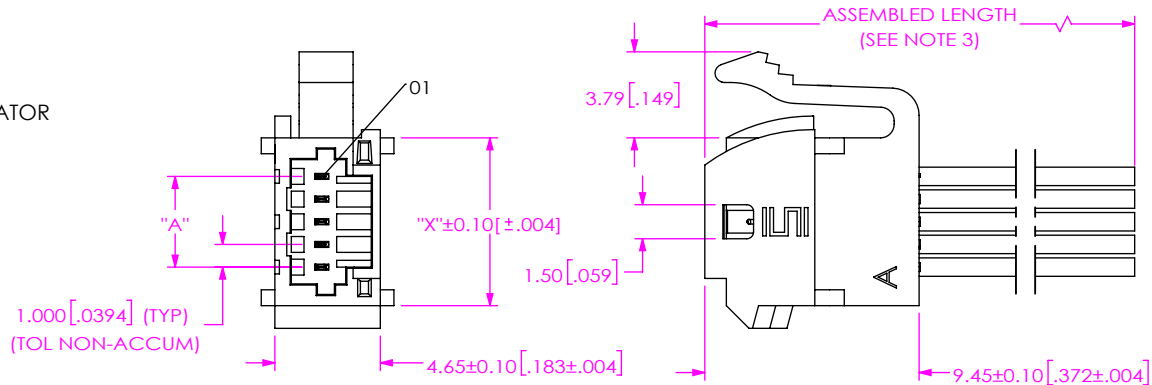


FIG 2  
T1SSX-05-XXX-XX-XX.X SHOWN  
(DIFFERENT AS SHOWN, OTHERWISE SAME AS FIG 1)

NOTES:

- NOTE DELETED.
- PARTS TO BE PACKAGED IN BAG.
- FOR ASSEMBLED LENGTHS LESS THAN 13.00 IN, TOLERANCE SHALL BE ± 3.18 [.125], FOR OTHER LENGTHS, TOLERANCE SHALL BE ± 2%.
- NOTE DELETED.
- NOTE DELETED.
- ALL FINISHED GOODS ARE TO BE ELECTRICALLY TESTED INCLUDING HI-POT TEST AT 1000 VOLTS DC. AFTER FINAL ELECTRICAL TEST, LABEL WITH 1 ET STAMP ON THE BODY.
- ASSEMBLIES USING THE FEP OPTION ARE FOR CRIMP APPLICATIONS ONLY.
- CUT LENGTH IS ASSEMBLY LENGTH MINUS OVERALL LENGTH SUBTRACTOR.

**PROPRIETARY NOTE**  
 \* THIS DOCUMENT CONTAINS CONFIDENTIAL AND PROPRIETARY INFORMATION AND ALL DESIGN, MANUFACTURING, REPRODUCTION, USE, PATENT RIGHTS AND SALES RIGHTS ARE EXPRESSLY RESERVED BY SAMTEC, INC. THIS DOCUMENT SHALL NOT BE DISCLOSED, IN WHOLE OR PART, TO ANY UNAUTHORIZED PERSON OR ENTITY NOR REPRODUCED, TRANSFERRED OR INCORPORATED IN ANY OTHER PROJECT IN ANY MANNER WITHOUT THE EXPRESS WRITTEN CONSENT OF SAMTEC, INC.



520 PARK EAST BLVD. NEW ALBANY, IN 47150  
 PHONE: 812-944-6733 FAX: 812-948-5047  
 e-Mail: info@SAMTEC.com code 55322

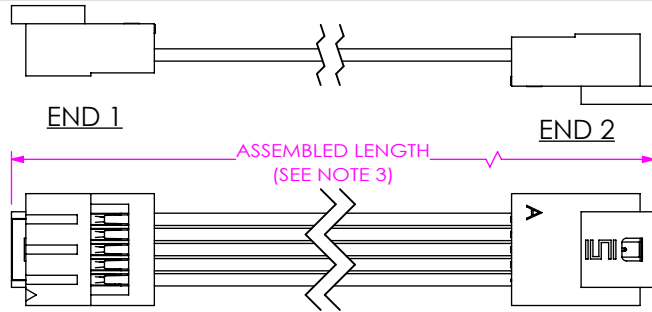
MATERIAL: DO NOT SCALE DRAWING  
 INSULATOR: NYLON, COLOR: LIGHT GREEN  
 TERMINAL: PHOS BRONZE

SHEET SCALE: 3:1

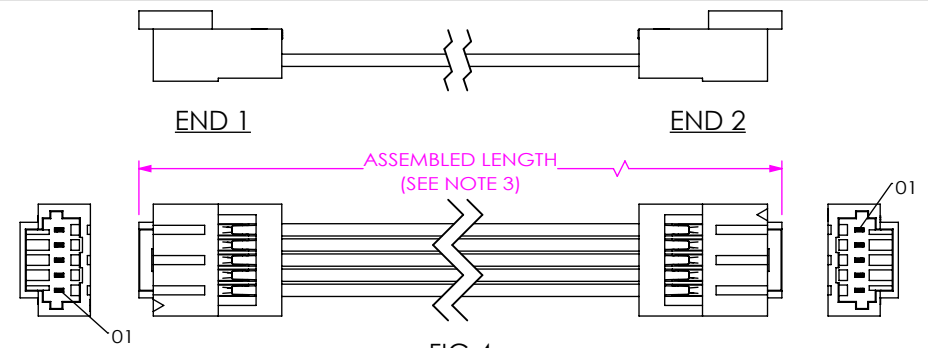
DESCRIPTION:  
 1MM T1XSX CABLE ASSEMBLY

DWG. NO.  
 T1XSX-XX-XXX-XX-XX.X-X-XX

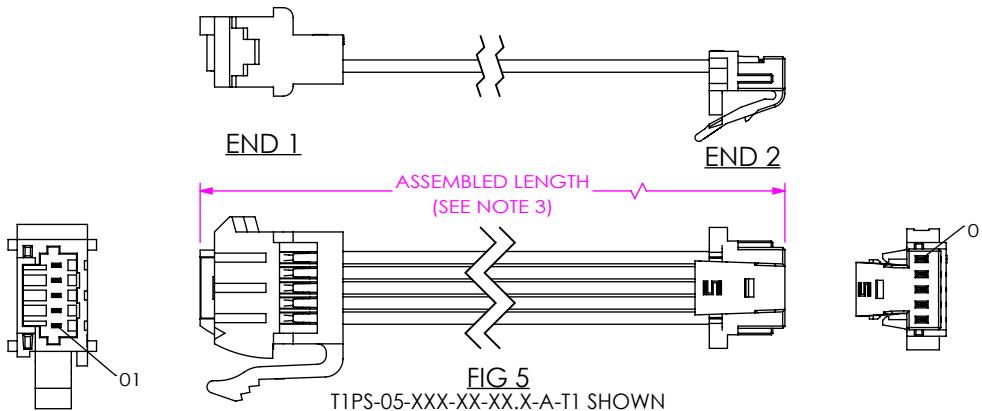
BY: JERRY SU 03/05/2018 SHEET 1 OF 3



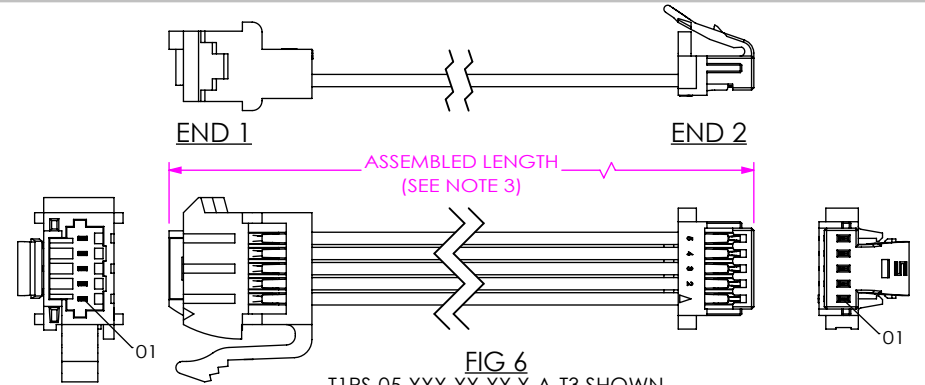
**FIG 3**  
T1SS-05-XXX-XX-XX.X-D1 SHOWN  
(DIFFERENT AS SHOWN, OTHERWISE SAME AS FIG 2)



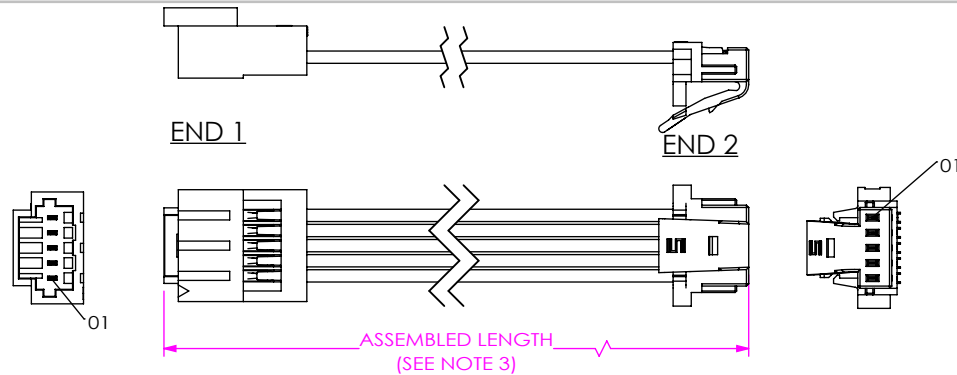
**FIG 4**  
T1SS-05-XXX-XX-XX.X-D3 SHOWN  
(DIFFERENT AS SHOWN, OTHERWISE SAME AS FIG 2)



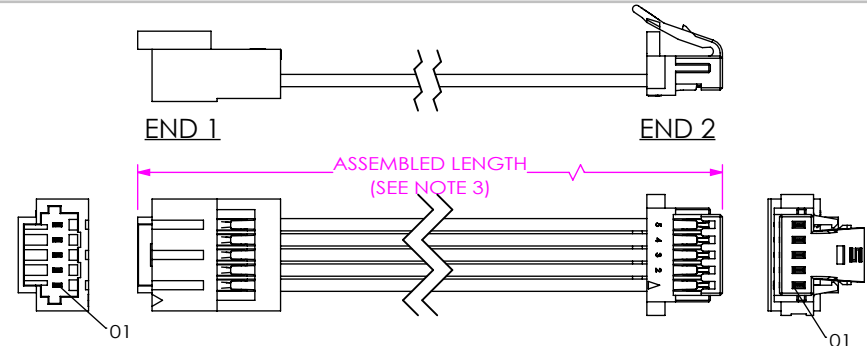
**FIG 5**  
T1PS-05-XXX-XX-XX.X-A-T1 SHOWN  
(DIFFERENT AS SHOWN, OTHERWISE SAME AS FIG 1)



**FIG 6**  
T1PS-05-XXX-XX-XX.X-A-T3 SHOWN  
(DIFFERENT AS SHOWN, OTHERWISE SAME AS FIG 1 & FIG 5)



**FIG 7**  
T1SS-05-XXX-XX-XX.X-T1 SHOWN  
(DIFFERENT AS SHOWN, OTHERWISE SAME AS FIG 2)



**FIG 8**  
T1SS-05-XXX-XX-XX.X-T3 SHOWN  
(DIFFERENT AS SHOWN, OTHERWISE SAME AS FIG 7)

TABLE 2										
T1XSX COLOR CODED WIRE SEQUENCE										
	COLOR									
	BROWN	RED	ORANGE	YELLOW	GREEN	BLUE	VIOLET	GRAY	WHITE	BLACK
PIN #	1	2	3	4	5	6	7	8	9	10
	11	12	13	14	15	16	17	18	19	20

**PROPRIETARY NOTE**  
THIS DOCUMENT CONTAINS CONFIDENTIAL AND PROPRIETARY INFORMATION AND ALL DESIGN, MANUFACTURING, REPRODUCTION, USE, PATENT RIGHTS AND SALES RIGHTS ARE EXPRESSLY RESERVED BY SAMTEC, INC. THIS DOCUMENT SHALL NOT BE DISCLOSED, IN WHOLE OR PART, TO ANY UNAUTHORIZED PERSON OR ENTITY NOR REPRODUCED, TRANSFERRED OR INCORPORATED IN ANY OTHER PROJECT IN ANY MANNER WITHOUT THE EXPRESS WRITTEN CONSENT OF SAMTEC, INC.

DO NOT SCALE DRAWING

SHEET SCALE: 2:1

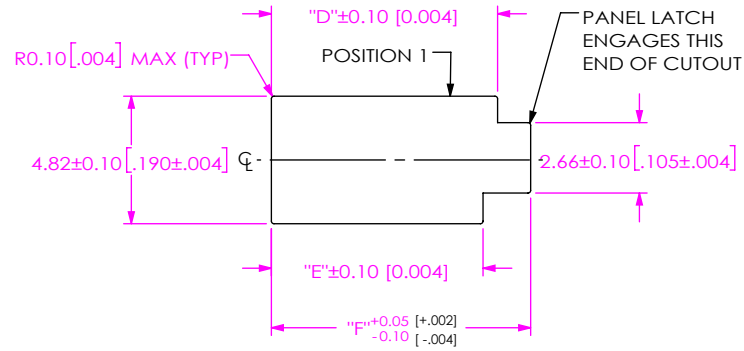
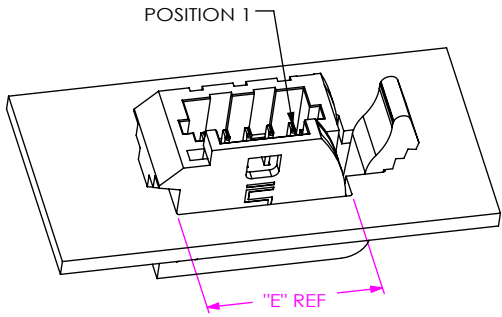


520 PARK EAST BLVD, NEW ALBANY, IN 47150  
PHONE: 812-944-6733 FAX: 812-948-5047  
e-Mail: info@SAMTEC.com code 55322

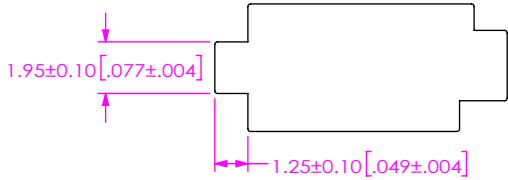
DESCRIPTION:  
1MM T1XSX CABLE ASSEMBLY

DWG. NO.  
T1XSX-XX-XXX-XX-XX.X-X-XX

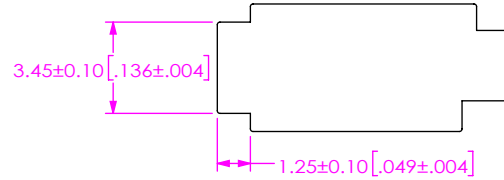
BY: JERRY SU 03/05/2018 SHEET 2 OF 3



CUTOUT FOR 0.84 THICK PANEL



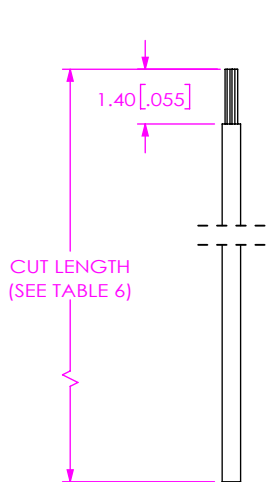
CUTOUT FOR 1.57 THICK PANEL  
(DIFFERENT AS SHOWN, OTHERWISE SAME AS 0.84 THICK PANEL)



CUTOUT FOR 2.29 THICK PANEL  
(DIFFERENT AS SHOWN, OTHERWISE SAME AS 0.84 THICK PANEL)

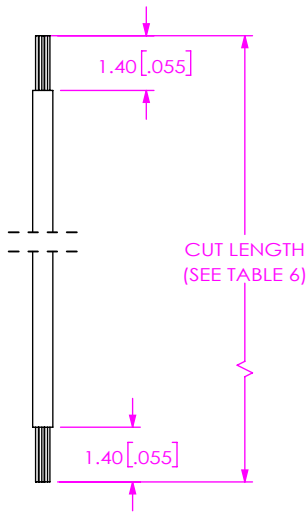
NO OF POS	"D"	"E"	"F"
-03	6.70 [0.264]	6.20 [0.244]	7.80 [0.307]
-04	7.60 [0.299]	6.60 [0.260]	8.80 [0.346]
-05	8.55 [0.337]	8.00 [0.315]	9.80 [0.386]
-06	9.55 [0.376]	8.50 [0.335]	10.80 [0.425]
-07	10.55 [0.415]	9.00 [0.354]	11.80 [0.465]
-08	11.55 [0.455]	9.50 [0.374]	12.80 [0.504]
-09	12.55 [0.494]	10.00 [0.394]	13.80 [0.543]
-10	13.55 [0.533]	10.50 [0.413]	14.80 [0.583]
*-11	14.55 [0.573]	11.00 [0.433]	15.80 [0.622]
*-12	15.55 [0.612]	11.50 [0.453]	16.80 [0.661]
*-13	16.55 [0.652]	12.00 [0.472]	17.80 [0.701]
*-14	17.55 [0.691]	12.50 [0.492]	18.80 [0.740]
*-15	18.55 [0.730]	13.00 [0.512]	19.88 [0.783]
*-16	19.55 [0.770]	13.50 [0.531]	20.88 [0.822]
*-17	20.55 [0.809]	14.00 [0.551]	21.88 [0.861]
*-18	21.55 [0.848]	14.50 [0.571]	22.88 [0.901]
*-19	22.55 [0.888]	15.00 [0.591]	23.88 [0.940]
*-20	23.55 [0.927]	15.50 [0.610]	24.88 [0.980]

(\* = NOT TOOLED)



CUT LENGTH  
(SEE TABLE 6)

-S: SINGLE END



CUT LENGTH  
(SEE TABLE 6)

-D: DOUBLE END  
-T: TRANSFER END

	LENGTH
-S: SINGLE END	7.03 [0.277]
-D: DOUBLE END	14.06 [0.554]
-T: TRANSFER END	9.82 [0.387]

**PROPRIETARY NOTE**  
THIS DOCUMENT CONTAINS CONFIDENTIAL AND PROPRIETARY INFORMATION AND ALL DESIGN, MANUFACTURING, REPRODUCTION, USE, PATENT RIGHTS AND SALES RIGHTS ARE EXPRESSLY RESERVED BY SAMTEC, INC. THIS DOCUMENT SHALL NOT BE DISCLOSED, IN WHOLE OR PART, TO ANY UNAUTHORIZED PERSON OR ENTITY NOR REPRODUCED, TRANSFERRED OR INCORPORATED IN ANY OTHER PROJECT IN ANY MANNER WITHOUT THE EXPRESS WRITTEN CONSENT OF SAMTEC, INC.



520 PARK EAST BLVD, NEW ALBANY, IN 47150  
PHONE: 812-944-6733 FAX: 812-948-5047  
e-Mail info@SAMTEC.com code 55322

DO NOT SCALE DRAWING

SHEET SCALE: 2:1

DESCRIPTION:  
1MM T1XSX CABLE ASSEMBLY

DWG. NO.  
T1XSX-XX-XXX-XX-XX.X-X-XX

BY: JERRY SU 03/05/2018 SHEET 3 OF 3