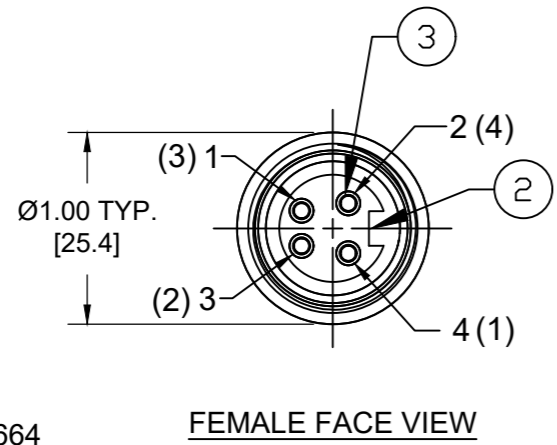


PART NO.	ENGINEERING NO.	FINISHED LENGTH
1300100863	114030K12M005	0.5M
1300100864	114030K12M010	1.0M
1300100865	114030K12M020	2.0M

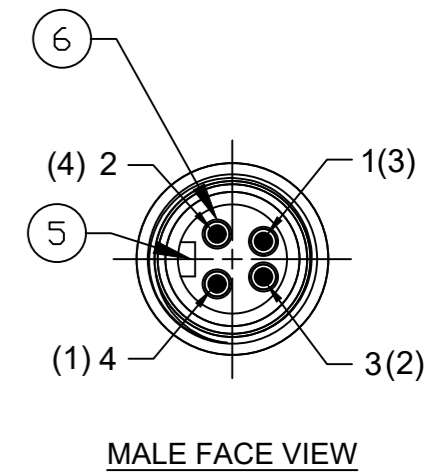
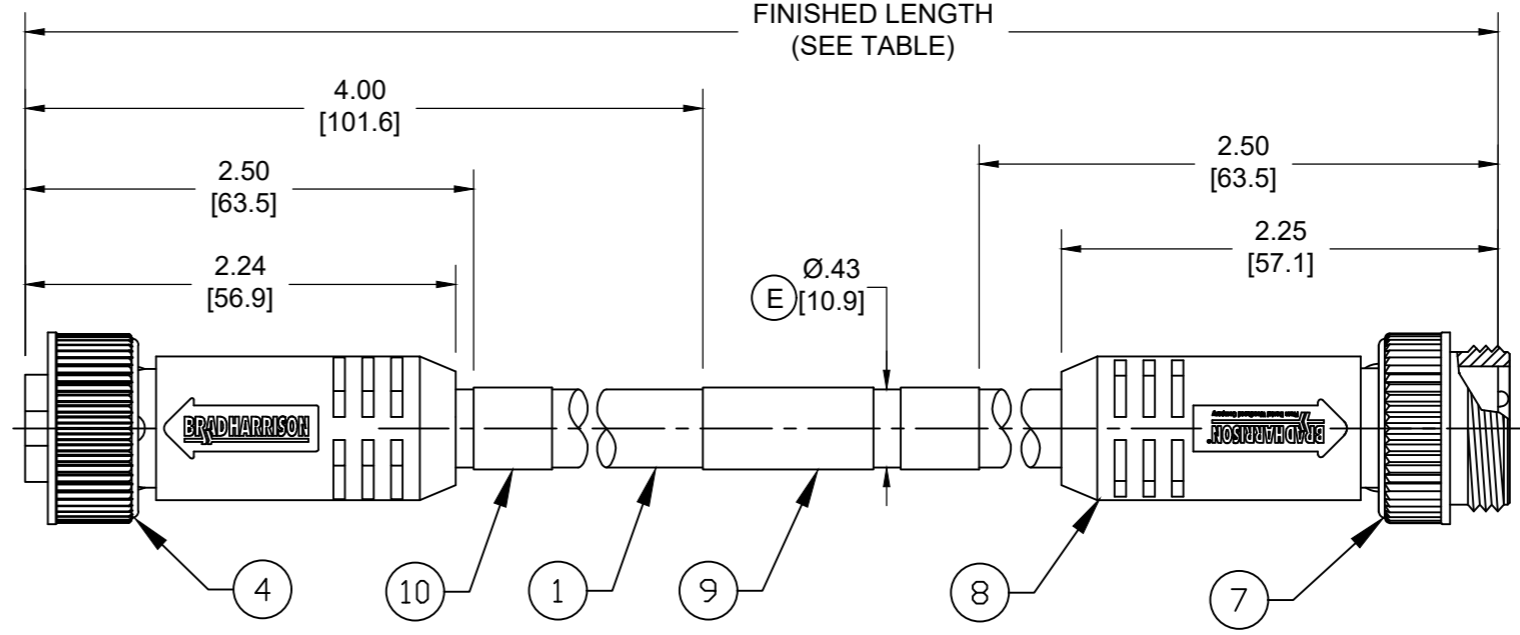


- NOTES:**
- MATERIAL: SEE TABLE
  - FINISH: SEE TABLE
  - ELECTRICAL:  
VOLTAGE: 483V PER IEC 60664  
600V PER UL 2238  
CURRENT: 10A (E)
  - TEMP RATING: -20°C TO +90°C
  - PROTECTION: IP67 (WHEN MATED)
  - COUPLING THREAD: 7/8-16
  - UL LISTED FILE: E152210
  - ALL DIMENSIONS ARE FOR REFERENCE UNLESS TOLERANCED OR NOTED OTHERWISE
  - PARTS WITH "H" IN MATRIX HAVE TWO ID CARRIERS ONE ON EACH SIDE

**MECHANICAL CHARACTERISTICS:**

TORSIONAL FLEX TEST	20 MILLION CYCLES PER MIL-C-13777G
BEND FLEX TEST	20 MILLION CYCLES PER MIL-C-13777G
WELD SLAG RESISTANCE	WOODHEAD STANDARD S-300

ITEM	COMPONENT	MATERIAL	FINISH
10	ID CARRIER	PVC	CLEAR
9	WRAP LABEL	VINYL	BLACK/YELLOW
8	OVERMOLD	TPE	YELLOW
7	COUPLING, MALE	ZINC DIE-CAST	BLACK
6	CONTACT PIN	COPPER ALLOY	GOLD PLATED
5	MALE INSERT (A-SIZE)	TPE	YELLOW
4	COUPLING, FEMALE	ZINC DIE-CAST	BLACK
3	CONTACT SOCKET	COPPER ALLOY	GOLD PLATED
2	FEMALE INSERT (A-SIZE)	TPE	YELLOW
1	CABLE, 16/4 TC-ER (HI-FLEX)	TPE JACKET	YELLOW



CENELEC EN 50 044 PINOUT SHOWN  
(SAE-J-1738A SHOWN IN PARENTHESIS)

4 (1)	BLACK	4 (1)
3 (2)	BLUE	3 (2)
1 (3)	BROWN	1 (3)
2 (4)	WHITE	2 (4)

**CABLE LENGTH TOLERANCES**

<.3M [1FT]:	+19mm-0 [+0.75in-0]
.3 - .9M [1 - 3FT]:	+44.5mm-0 [+1.75in-0]
.9 - 1.8M [3 - 6FT]:	+55.6mm-0 [+2.19in-0]
1.8 - 3.7M [6 - 12FT]:	+88.9mm-0 [+3.50in-0]
3.7 - 7.3M [12 - 24FT]:	+165.1mm-0 [+6.50in-0]
7.3-14.6M [24 - 48FT]:	+317.5mm-0 [+12.50in-0]
14.6 - 30.5M [48-100FT]:	+622.3mm-0 [+24.50in-0]
OVER 30M [100FT]	+2% OF FINISHED LENGTH

**PART NO. MATRIX**  
**114030K12XXXXH**

LENGTH ID CARRIER  
M010 = 1 METER H - SEE NOTE 8  
M100 = 10 METER BLANK - NO ID CARRIERS  
F050 = 5 FEET  
F500 = 50 FEET  
T=100 METER  
T001 = 101 METER  
T010 = 110 METER

FUNCTIONAL SYMBOLS F=0 E=0 P=0	THIS DRAWING CONTAINS INFORMATION THAT IS PROPRIETARY TO MOLEX ELECTRONIC TECHNOLOGIES, LLC AND SHOULD NOT BE USED WITHOUT WRITTEN PERMISSION		CURRENT REV DESC: UPDATED AMPERAGE AND TEMPLATE							
	DIMENSION UNITS	SCALE	EC NO: 646474							
	INCH/MM	NTS	DRWN: ALEON01 2020/10/14							
	GENERAL TOLERANCES (UNLESS SPECIFIED)		CHK'D: CCHRSTKA 2020/10/19							
DIVISIONAL SYMBOLS	4 PLACES	±----	±----	APPR: BWOODMAN 2020/10/21	<b>PRODUCT CUSTOMER DRAWING</b> DOCUMENT NUMBER: SD-130010-016 DOC TYPE: PSD DOC PART: 001 REVISION: 001 E					
	3 PLACES	±----	±----	INITIAL REVISION:						
	2 PLACES	±----	±----	DRWN: VOU 2012/01/19						
	1 PLACE	±----	±----	APPR: JFMURPHY 2012/03/08						
0 PLACES	±----	±----	ANGULAR TOL ± ---- °	DRAFT WHERE APPLICABLE MUST REMAIN WITHIN DIMENSIONS	THIRD ANGLE PROJECTION	DRAWING: B-SIZE	SERIES: 130010	MATERIAL NUMBER: SEE CHART	CUSTOMER: GENERAL MARKET	SHEET NUMBER: 1 OF 1