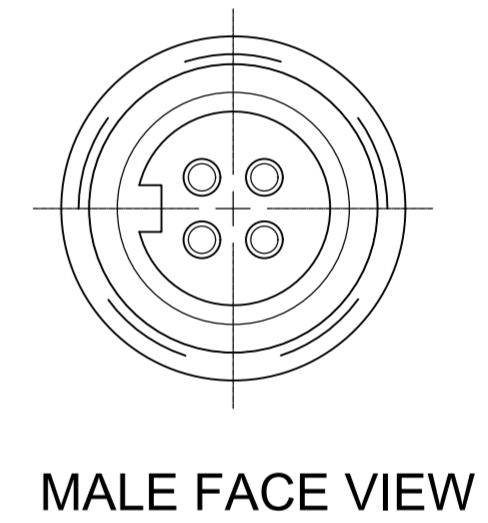
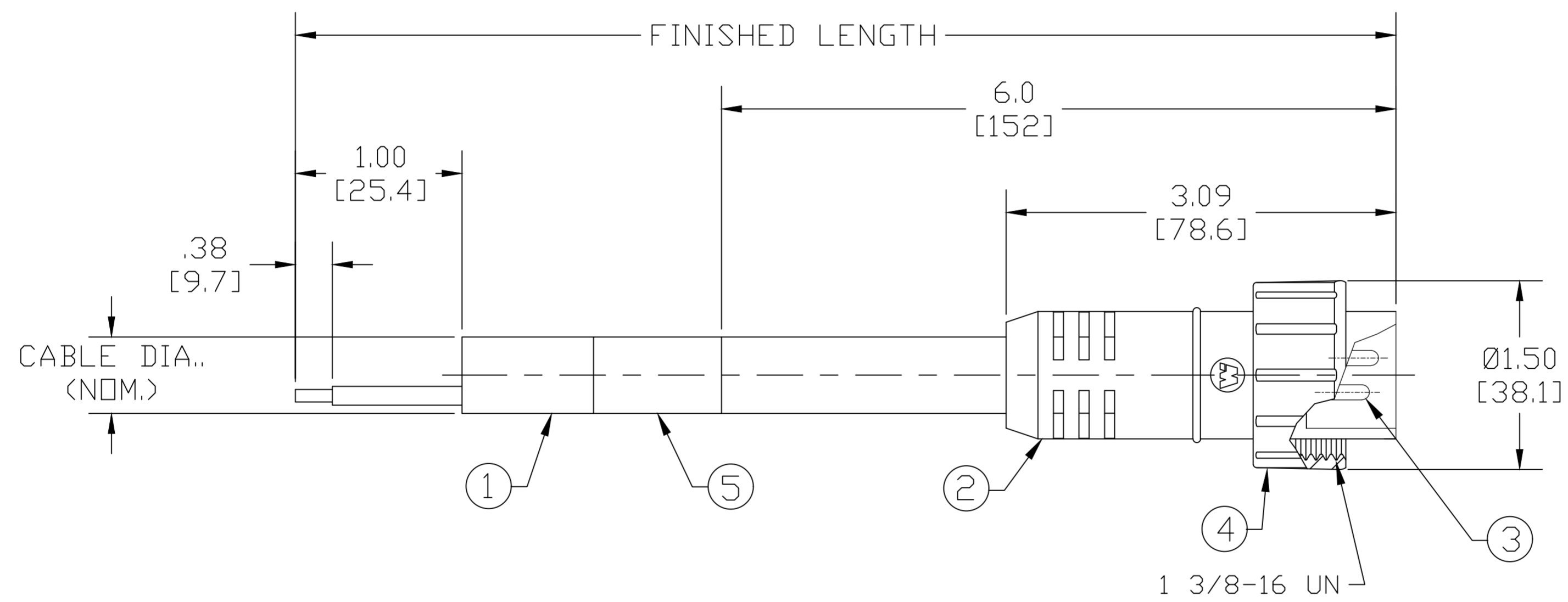


MATERIAL NO.	ENGINEERING NO.	POLES	FINISHED LENGTH	CABLE DIA.,
1300000022	32026	2	3.0 FT. [0.9M]	.60
1300000023	32027		6.0 FT. [1.8M]	
1300000133	602002C06F150		15.0 FT. [4.6M]	
1300000047	32353	3	3.0 FT. [0.9M]	.62
1300000049	32354		6.0 FT. [1.8M]	
1300000173	603002C06F120		12.0 FT. [3.7M]	
1300000077	32650	4	3.0 FT. [0.9M]	.68
1300000084	32676		6.0 FT. [1.8M]	
1300000301	603002C06M400		131.2 FT. [40.0M]	

FACE VIEW-MALE INSERT		
1 BLACK 2 WHITE	1 BLACK 2 WHITE 3 GREEN	1 BLACK 2 GREEN 3 RED 4 WHITE



- NOTES:**
- MATERIAL: AS NOTED
 - FINISH: AS NOTED
 - ELECTRICAL:
VOLTAGE: 600V AC/DC
CURRENT: 2 & 3P: 25A
4P: 20A
 - TEMP RATING: -20°C TO +105°C
 - PROTECTION: IP67 (WHEN MATED)
 - COUPLING THREAD: AS NOTED
 - UL CERTIFIED FILE: E46237
CSA CERTIFIED FILE: LR6837
 - ALL DIMS ARE FOR REFERENCE UNLESS TOLERANCED OR NOTED OTHERWISE

PART NUMBER LEGEND

602002C06F150

POLES 2-4

FINISHED LENGTH:
F010= 1 FOOT
F100= 10 FEET
M005= 0.5 METER
M010= 1 METER
M100= 10 METER

CABLE LENGTH TOLERANCES

>.3M [1FT]:	+19mm-0 [+ .75in-0]
.3 - .9M [1 - 3FT]:	+44.5mm-0 [+1.75in-0]
.9 - 1.8M [3 - 6FT]:	+55.6mm-0 [+2.19in-0]
1.8 - 3.7M [6 - 12FT]:	+88.9mm-0 [+3.50in-0]
3.7 - 7.3M [12 - 24FT]:	+165.1mm-0 [+6.50in-0]
7.3-14.6M [24 - 48FT]:	+317.5mm-0 [+12.50in-0]
14.6 - 30.5M [48-100FT]:	+622.3mm-0 [+24.50in-0]
OVER 30M [100FT]	+2% OF FINISHED LENGTH

ITEM	COMPONENT	MATERIAL	FINISH
5	WRAP LABEL	VINYL	BLACK/YELLOW
4	COUPLING NUT	THERMOPLASTIC	BLACK
3	CONTACT PIN	COPPER ALLOY	UN-PLATED
2	OVERMOLD	RUBBER	YELLOW
1	CABLE-12 AWG SOOW	CPE JACKET	YELLOW

THIS DRAWING CONTAINS INFORMATION THAT IS PROPRIETARY TO MOLEX ELECTRONIC TECHNOLOGIES, LLC AND SHOULD NOT BE USED WITHOUT WRITTEN PERMISSION

SYMBOLS	DIMENSION UNITS: INCH/MM	SCALE: 1:1	CURRENT REV DESC: RELEASED
	GENERAL TOLERANCES (UNLESS SPECIFIED)		EC NO: 625795
	mm	INCH	
	4 PLACES	±----	DRWN: RSTONE 2019/09/30
	3 PLACES	±----	CHK'D: MZIELINSKI 2019/10/16
	2 PLACES	±----	APPR: BWOODMAN 2019/10/25
	1 PLACE	±----	INITIAL REVISION:
	0 PLACES	±----	DRWN: RSTONE 2019/09/30
	ANGULAR TOL ± ---- °		APPR: BWOODMAN 2019/10/25
	DRAFT WHERE APPLICABLE MUST REMAIN WITHIN DIMENSIONS	THIRD ANGLE PROJECTION	DRAWING: C-SIZE
		SERIES: 130000	MATERIAL NUMBER: SEE MAT. NO CHART

moLEX

QUICK CHANGE ASSEMBLY, 2 TO 4 POLE
STRAIGHT MALE, 12AWG, SOOW CORD

PRODUCT CUSTOMER DRAWING

DOCUMENT NUMBER	DOC TYPE	DOC PART	REVISION
1300000133	PSD	000	A

SHEET NUMBER: 1 OF 1