

Cat.6 U/UTP 24AWG Patch Cord



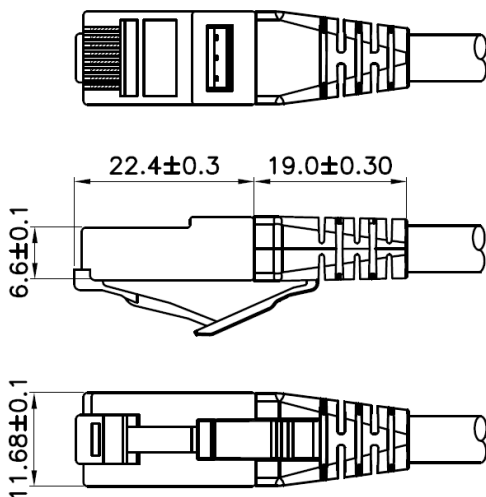
Features

- Small od and flexible cable and extreme performance design for Hyper-Scale and Edge Data Center
- Compliant with the ISO/IEC11801-1 class E and ANSI/TIA 568.2-D Cat.6 channel performance
- Power over HDBaseT™ (PoH) applications up to 100 W

Standard Compliance

- ANSI/TIA-568.2-D
- ISO/IEC 11801-1, Class E
- IEC 60603-7
- IEC 60512-99-002
- IEEE 802.3bt type 4 PoE++(4PPoE) 100 W
- ANSI/TIA-1096-A (formerly FCC Part 68)
- UL444 (for UL CM PVC jacket material only)
- IEC 61935-2
- IEC 61034-2 Smoke (for LSZH material only)
- IEC 60754-2 Halogen / Acid (for LSZH material only)
- RoHS /REACH compliant

Dimensions (mm)



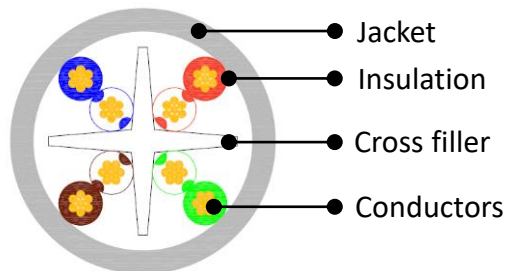
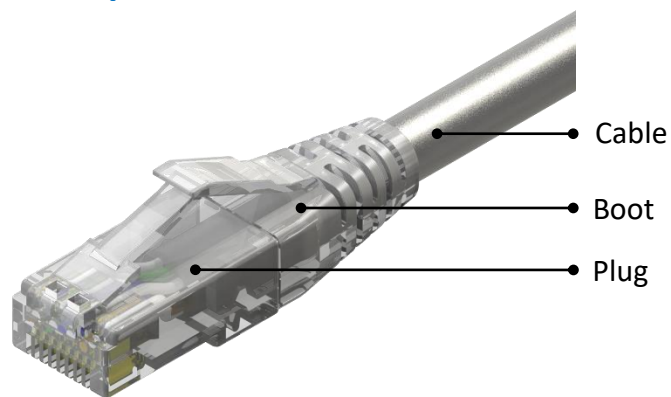
Length Information, at 20 °C

- **Length Available :**
2-connector Channel: 0.3m to 20m

• 2-connector Channel Length Information:

Cord A	Perm. Link	Cord B	Performance
9m	90m	1m	Channel & 4PPoE

Cat.6 U/UTP 24AWG Patch Cord



Specifications

Patch cord (IEC 61935-2, Patch Cord Reliability)

- Life (mating cycles) Min. 750 cycles
- Pulling tension 50N for 60 s
- Strain relief 50N for 60 s in all direction
- Flexing 2N for 500 cycles, 20cycles per 60 s
- Bend radius Min. 47.2mm, 8x of cable O.D.
- Insulation resistance $\geq 500 \text{ M}\Omega$ at 100 Vdc, for 60 s
- Voltage proof Contact to contact 1000 Vdc, for 60 s
- Installing temperature 0°C to 50°C (32°F to 122°F)
- Storage temperature -40°C to 70°C (-40°F to 158°F), under static conditions
- Operating temperature -10°C to 60°C (14°F to 140°F), under static conditions

Cable

- Conductors Bare copper, 24AWG, 7 x 0.192 \pm 0.005mm
- Insulation HDPE, O.D. 0.98 \pm 0.02mm
- Jacket 0.5mm(nominal) thicket, O.D. 5.9 \pm 0.2mm
- Cross filler(separator) PE

Printing on the cable

- LSZH U/UTP PATCH CABLE 24AWG 4PR LSZH ETL VERIFIED ISO/IEC 11801 CLASS E & ANSI/TIA-568.2-D CAT.6 XXXXXX-X
- CM PVC U/UTP PATCH CABLE 24AWG 4PR E178558 C(UL)US TYPE CM 75°C ETL VERIFIED ISO/IEC 11801 CLASS EA & ANSI/TIA-568.2-D CAT.6 XXXXXX-X

Plug

- Conductors Phosphor bronze, min. 0.3mm thickness
- Gold plating 50 micro-inch gold plating over 50 micro-inch nickel plating on contact area
- Housing 1 row type, polycarbonate, UL94 rated, transparent color
- Load bar 1 row type, polycarbonate, UL94 rated, transparent color
- Contact resistances $\leq 20\text{m}\Omega$

Boot

- Boot Polycarbonate, UL94 rated, transparent color