

(B)
PART NUMBER LEGEND
W04001K05M050

FINISHED LENGTH
M005 = 0.5 METER
M010 = 1 METER
M100 = 10 METER

| PART NO | ENGINEERING NO. | FINISHED LENGTH |
|------------|-----------------|------------------|
| 1200790193 | W04001K05M010 | 1M [3FT 3 IN] |
| 1200790184 | W04001K05M050 | 5M [16FT 5 IN] |
| 1200790186 | W04001K05M100 | 10M [32FT 10 IN] |

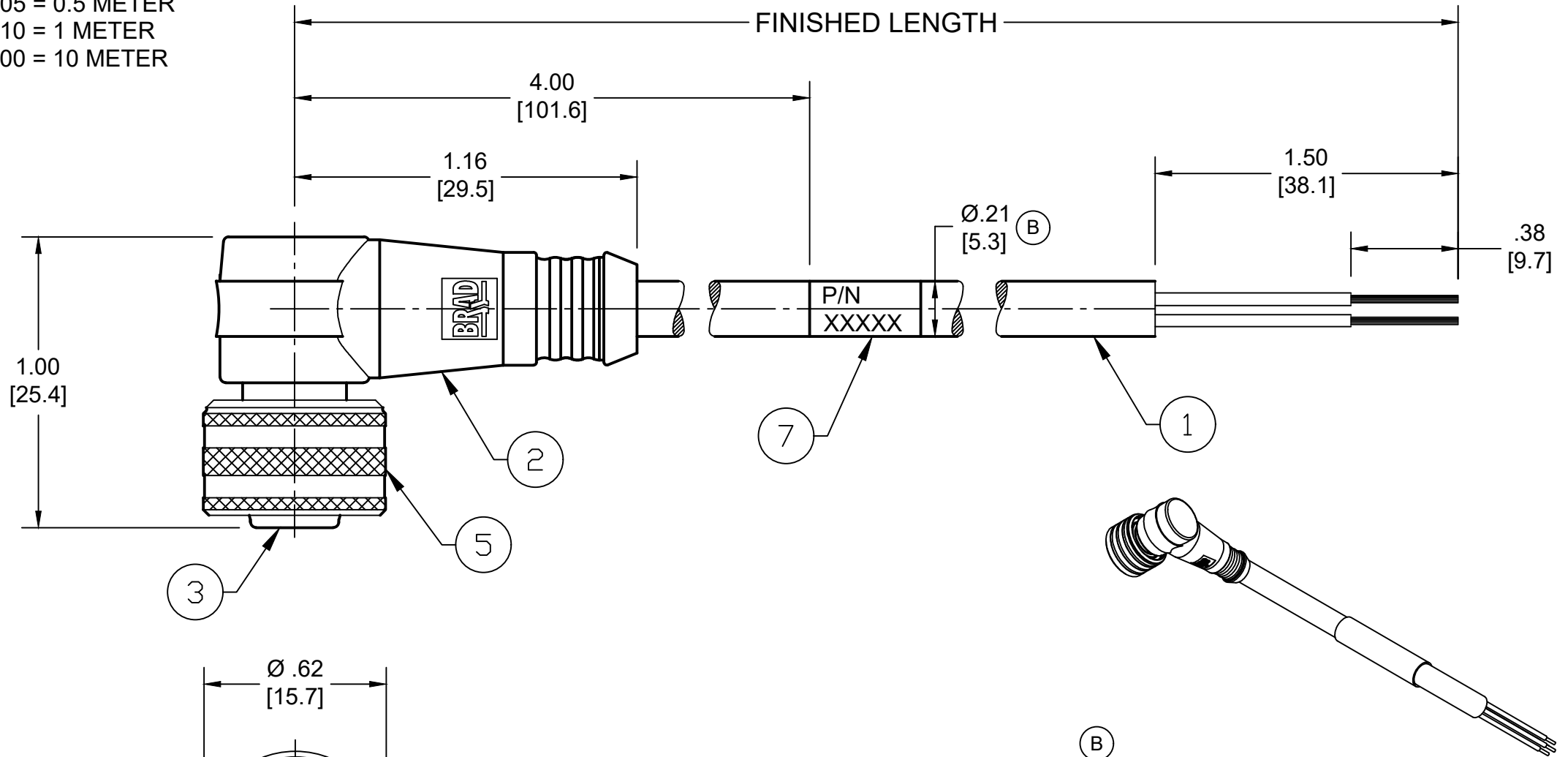
NOTES:

- MATERIAL: SEE TABLE
- FINISH: SEE TABLE
- ELECTRICAL:
VOLTAGE: 250V
CURRENT: 4A
- TEMP RATING: -20°TO +105°C (B)
- PROTECTION: IP67/69K (WHEN MATED)
- CSA CERTIFIED FILE: LR6837 (B)
- ALL DIMENSIONS ARE FOR REFERENCE UNLESS TOLERANCED OR NOTED OTHERWISE

MECHANICAL CHARACTERISTICS: (B)

| | |
|----------------------|------------------------------------|
| TORSIONAL FLEX TEST | 10 MILLION CYCLES PER MIL-C-13777G |
| BEND FLEX TEST | 10 MILLION CYCLES PER MIL-C-13777G |
| WELD SLAG RESISTANCE | WOODHEAD STANDARD S-300 |

| ITEM | DESCRIPTION | MATERIAL | FINISH |
|------|----------------|--------------|------------------|
| 7 | WRAP LABEL | VINYL | BLACK/YELLOW |
| 6 | O-RING | VITON | GREEN |
| 5 | COUPLER | BRASS | NICKEL PLATED |
| 4 | CONTACT SOCKET | COPPER ALLOY | GOLD OVER NICKEL |
| 3 | INSERT | PUR | BLACK |
| 2 | OVERMOLD | TPC | YELLOW |
| 1 | #22/4 CABLE | TPE JACKET | YELLOW |



(B)

CABLE LENGTH TOLERANCES

| | |
|--------------------------|-------------------------|
| <.3M [1FT]: | +19mm-0 [+.75in-0] |
| .3 - .9M [1 - 3FT]: | +44.5mm-0 [+1.75in-0] |
| .9 - 1.8M [3 - 6FT]: | +55.6mm-0 [+2.19in-0] |
| 1.8 - 3.7M [6 - 12FT]: | +88.9mm-0 [+3.50in-0] |
| 3.7 - 7.3M [12 - 24FT]: | +165.1mm-0 [+6.50in-0] |
| 7.3-14.6M [24 - 48FT]: | +317.5mm-0 [+12.50in-0] |
| 14.6 - 30.5M [48-100FT]: | +622.3mm-0 [+24.50in-0] |
| OVER 30M [100FT]: | +2% OF FINISHED LENGTH |

| FUNCTIONAL SYMBOLS | DIMENSION UNITS | SCALE | CURRENT REV DESC: ITEM #7 WAS PLASTIC FILM. ADDED ITEM #6CSA NUMBER, MECH CHARAC....CABLE DIA, PN LEGEND & TOL CHART. MODIFIED TEMP RATING & PN TABLE | molex | | | |
|--------------------|--|-------|---|---|----------------|--|--|
| $F_A=0$ | INCH/MM | NTS | EC NO: 702709 | MICRO-CHANGE ULTRA LOCK CORDSET, M12 4-POLE, FEMALE, 90DEG, SINGLE KEY, #22 AWG TPE HI-FLEX | | | |
| $F_P=0$ | GENERAL TOLERANCES (UNLESS SPECIFIED) | | DRWN: ABENJAMINLW 2021/08/30 | | | | |
| $F_P=0$ | mm INCH | | CHK'D: RSTONE 2022/04/11 | PRODUCT CUSTOMER DRAWING | | | |
| DIVISIONAL SYMBOLS | 4 PLACES ±---- | | APPR: BWOODMAN 2022/04/16 | | | | |
| | 3 PLACES ±---- | | INITIAL REVISION: | DOCUMENT NUMBER: SD-120079-010 DOC TYPE: PSD DOC PART: 001 REVISION: B | | | |
| | 2 PLACES ±---- | | DRWN: TWOLDEGE 2009/07/06 | | | | |
| | 1 PLACE ±---- | | APPR: JFMURPHY 2009/07/20 | MATERIAL NUMBER: SEE CHART CUSTOMER: GENERAL MARKET SHEET NUMBER: 1 OF 1 | | | |
| | 0 PLACES ±---- | | ANGULAR TOL ± --- ° | | | | |
| | DRAFT WHERE APPLICABLE MUST REMAIN WITHIN DIMENSIONS | | THIRD ANGLE PROJECTION | DRAWING: A3-SIZE | SERIES: 120079 | | |