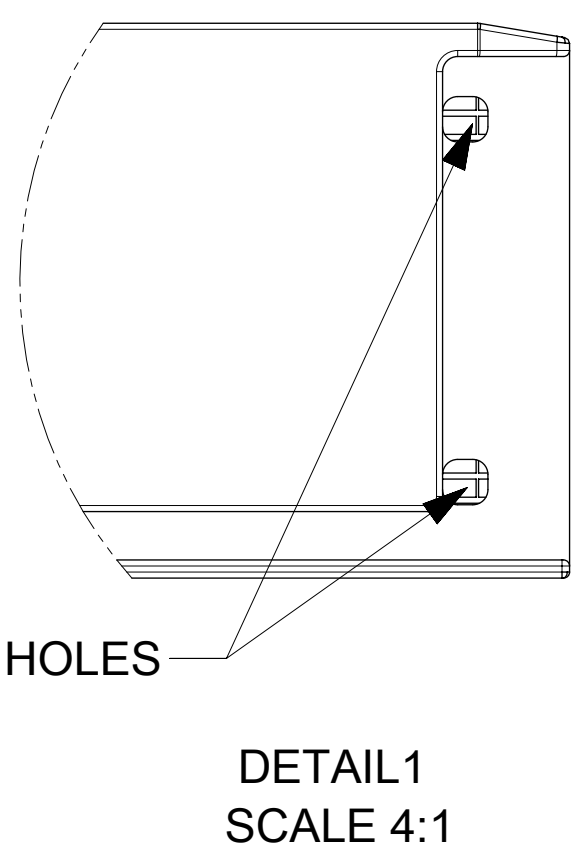
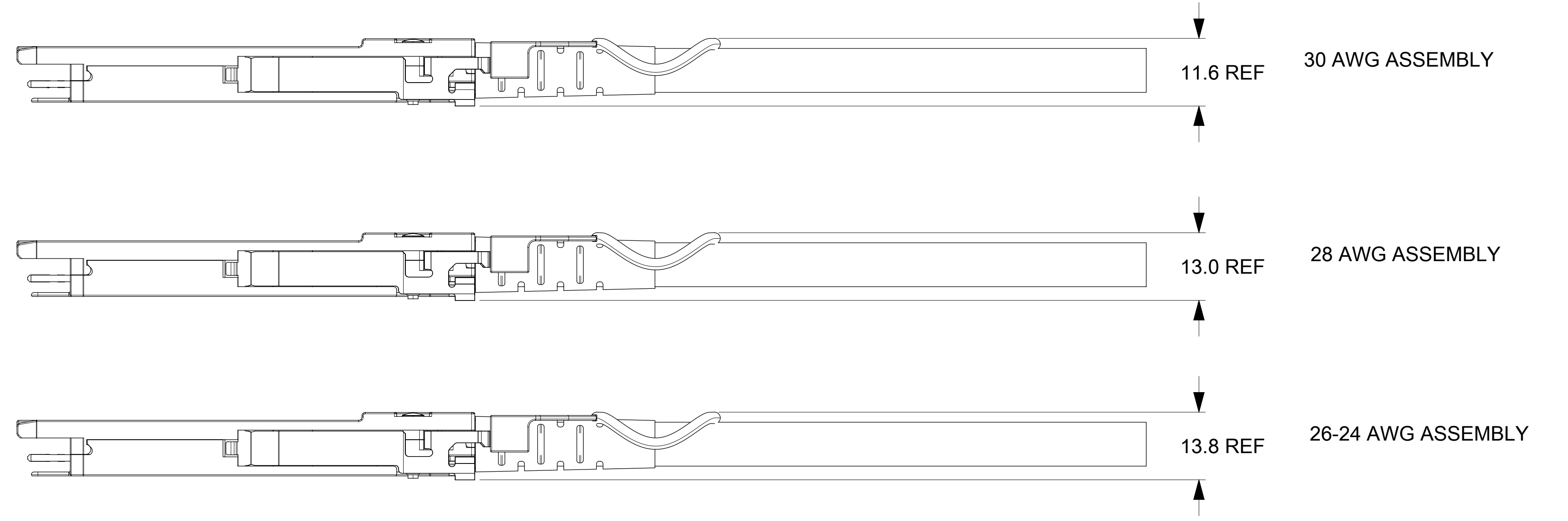


SEE SHEET 3 FOR LABEL DETAIL  
(FOR CABLES UNDER 2 METERS LABEL ON ONE END ONLY)



SEE SHEET 3 FOR P/N TABLE

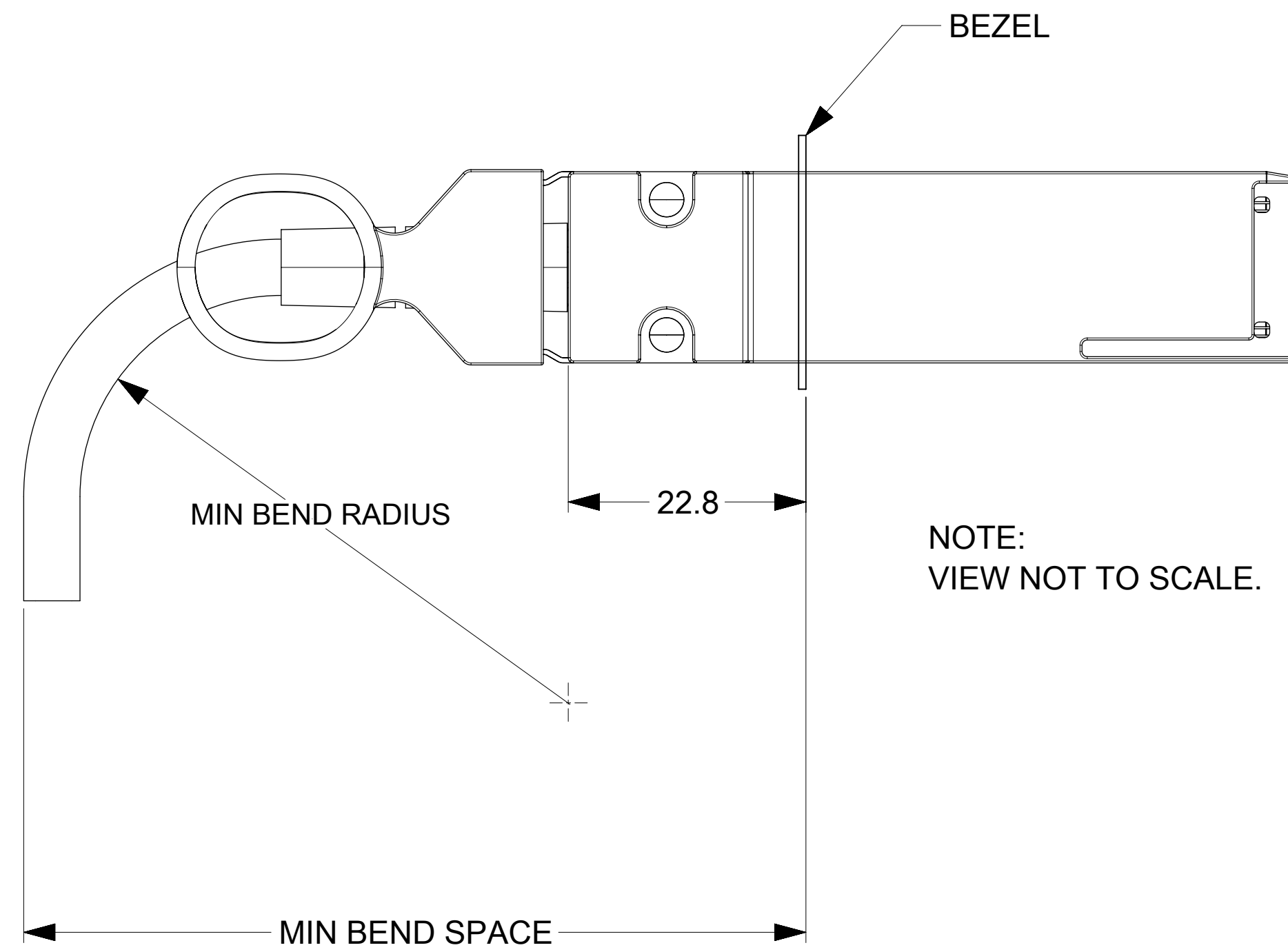
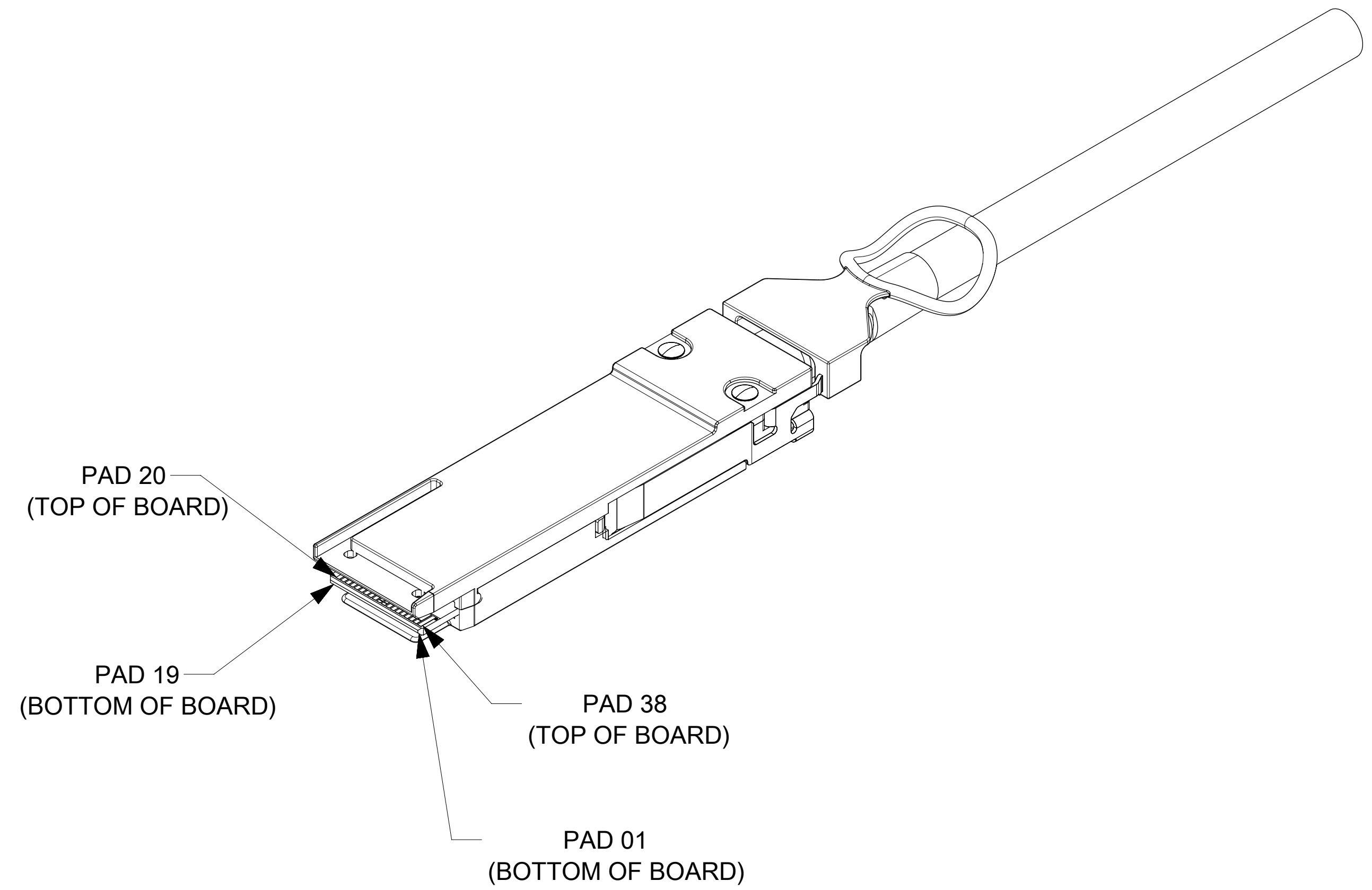
- NOTES:
- CABLE DISTANCE DEPENDS ON WIRE GAUGE, DATA RATE, AND HOST BOARD DRIVER CAPABILITIES
  - MATERIALS:  
 BACKSHELLS - ZINC DIE CAST WITH BRIGHT NICKEL PLATING  
 DELATCH - STAINLESS STEEL WITH OVERMOLDED NYLON  
 PCB - FR4  
 RIVETS - STAINLESS STEEL
  - IMPEDANCE - 100 OHMS DIFFERENTIAL
  - RoHS COMPLIANT, NO EXEMPTIONS

THIS DRAWING CONTAINS INFORMATION THAT IS PROPRIETARY TO MOLEX ELECTRONIC TECHNOLOGIES, LLC AND SHOULD NOT BE USED WITHOUT WRITTEN PERMISSION												
DIMENSION UNITS	SCALE	CURRENT REV DESC: OBSOLETE PART NUMBER ASPER PCN#506884										
mm	2:1	<b>molex</b> QSFP+ COPPER PATCH CABLE ASSEMBLY CABLE ASSEMBLY PRODUCT CUSTOMER DRAWING										
GENERAL TOLERANCES (UNLESS SPECIFIED)												
ANGULAR TOL	± 0.5°											
4 PLACES	±											
3 PLACES	±											
2 PLACES	± 0.13	EC NO: 662770	2021/04/19					DOCUMENT NUMBER		DOC TYPE	DOC PART	REVISION
1 PLACE	± 0.25	DRWN: SUGEEB	2021/06/02					1110400001		PSD	000	AA1
0 PLACES	±	CHK'D: GGA	2021/06/02					1110400001		PSD	000	AA1
DRAFT WHERE APPLICABLE MUST REMAIN WITHIN DIMENSIONS		THIRD ANGLE PROJECTION		DRAWING	SERIES	MATERIAL NUMBER	CUSTOMER	SHEET NUMBER				
				D-SIZE	111040	SEE P/N TABLE	GENERAL MARKET	1 OF 3				

DOCUMENT STATUS	P1	RELEASE DATE	2021/06/02	05:45:03
-----------------	----	--------------	------------	----------

WIRING DIAGRAM				
P1 END			P2 END	
PAD	SIGNAL		PAD	SIGNAL
01	GND (TX)	----	20	GND (RX)
02	TX2n	---->	21	RX2n
03	TX2p	---->	22	RX2p
04	GND (TX)	----	23	GND (RX)
05	TX4n	---->	24	RX4n
06	TX4p	---->	25	RX4p
07	GND (TX)	----	26	GND (RX)
08	ModSelL	<input type="checkbox"/>	27	ModPrsL
09	ResetL	<input type="checkbox"/>	28	IntL
10	VccRx	<input type="checkbox"/>	29	VccTx
11	SCL	<input type="checkbox"/>	30	Vcc1
12	SDA	<input type="checkbox"/>	31	LPmode
13	GND (RX)	----	32	GND (TX)
14	RX3p	<----	33	TX3p
15	RX3n	<----	34	TX3n
16	GND (RX)	----	35	GND (TX)
17	RX1p	<----	36	TX1p
18	RX1n	<----	37	TX1n
19	GND (RX)	----	38	GND (TX)
20	GND (RX)	----	01	GND (TX)
21	RX2n	<----	02	TX2n
22	RX2p	<----	03	TX2p
23	GND (RX)	----	04	GND (TX)
24	RX4n	<----	05	TX4n
25	RX4p	<----	06	TX4p
26	GND (RX)	----	07	GND (TX)
27	ModPrsL	<input type="checkbox"/>	08	ModSelL
28	IntL	<input type="checkbox"/>	09	ResetL
29	VccTx	<input type="checkbox"/>	10	VccRx
30	Vcc1	NC	11	SCL
31	LPMode	<input type="checkbox"/>	12	SDA
32	GND (TX)	----	13	GND (RX)
33	TX3p	---->	14	RX3p
34	TX3n	---->	15	RX3n
35	GND (TX)	----	16	GND (RX)
36	TX1p	---->	17	RX1p
37	TX1n	---->	18	RX1n
38	GND (TX)	----	19	GND (RX)

LEGEND:  
 ---- = THRU LINES  
 ----> = TRANSMIT TO RECEIVE ON HIGH SPEED CIRCUITS  
 C = COMMON GROUND CONNECTION  
 NC = NOT CONNECTED  
 = CONNECTION TO A DEVICE ON THE PCB



**CABLE BEND RADIUS**

CABLE AWG	MIN BEND RADIUS (mm)	MIN BEND SPACE (mm)
24	51	84
26	44	76
28	39	70
30	33	62

- NOTES:  
 1. DC BLOCKING CAPS ON RECEIVE SIDE ONLY  
 2. CABLE COILED AND PACKAGED IN BEST FIT ESD BAG AND SEALED WITH ESD LABEL FOR SHIPPING

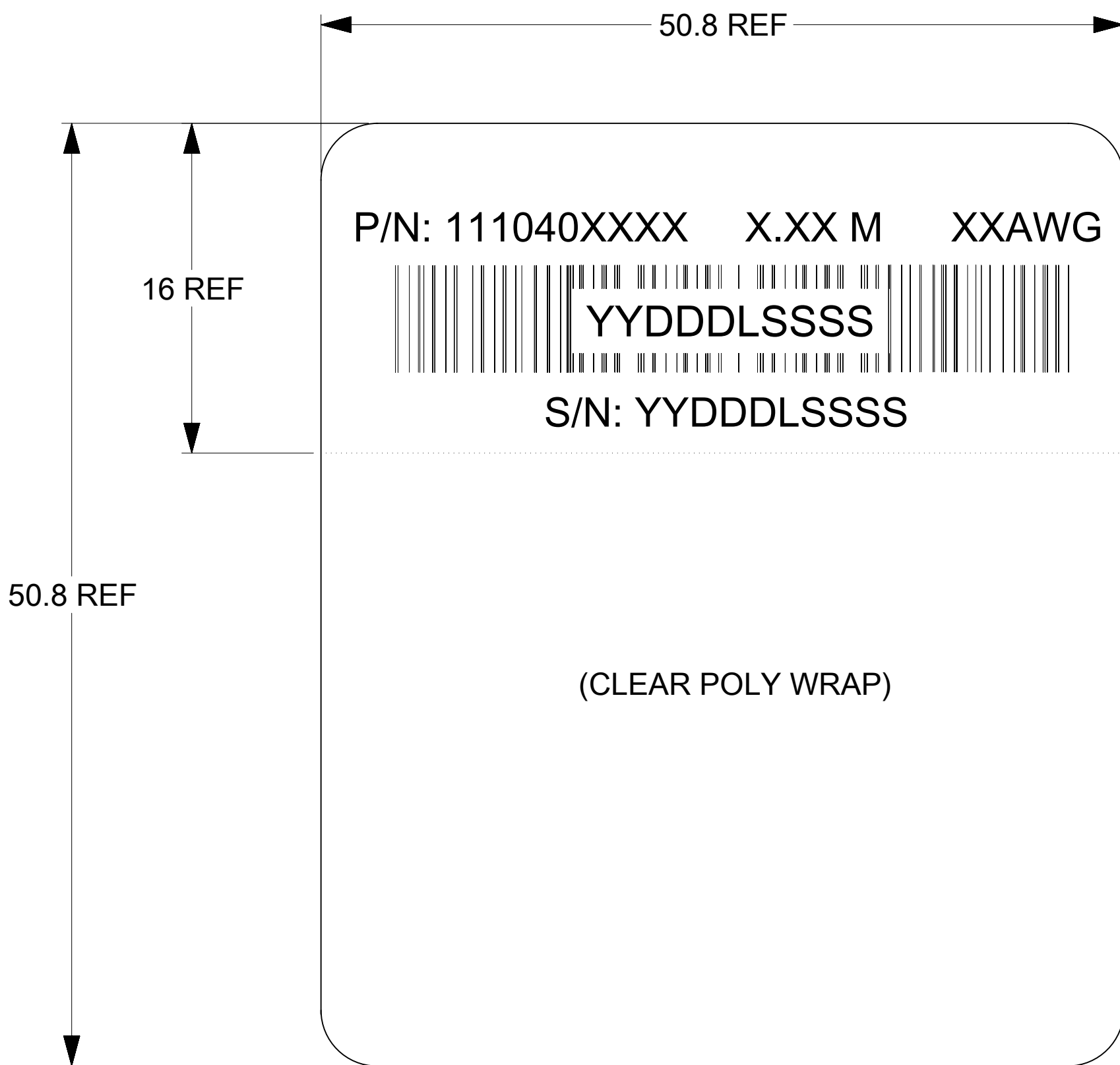
THIS DRAWING CONTAINS INFORMATION THAT IS PROPRIETARY TO MOLEX ELECTRONIC TECHNOLOGIES, LLC AND SHOULD NOT BE USED WITHOUT WRITTEN PERMISSION												
DIMENSION UNITS <b>mm</b>		SCALE <b>2:1</b>		CURRENT REV DESC: OBSOLETE PART NUMBER ASPER PCN#506884						<b>molex</b>		
GENERAL TOLERANCES (UNLESS SPECIFIED)				EC NO: 662770								
ANGULAR TOL ± 0.5°				4 PLACES ±		DRWN: SUGEEB		2021/04/19		PRODUCT CUSTOMER DRAWING		
				3 PLACES ±		CHK'D: GGA		2021/06/02				
				2 PLACES ± 0.13		APPR: GGA		2021/06/02		DOCUMENT NUMBER <b>1110400001</b>		
				1 PLACE ± 0.25		INITIAL REVISION: DRWN: SCHANNARAYAN		2017/08/22				DOC TYPE PSD
				0 PLACES ±		APPR: ARAYBURN		2017/09/06		MATERIAL NUMBER SEE P/N TABLE	CUSTOMER GENERAL MARKET	SHEET NUMBER 2 OF 3
DRAFT WHERE APPLICABLE MUST REMAIN WITHIN DIMENSIONS				THIRD ANGLE PROJECTION		DRAWING <b>D-SIZE</b>		SERIES <b>111040</b>				

**CABLE LABEL DETAILS**

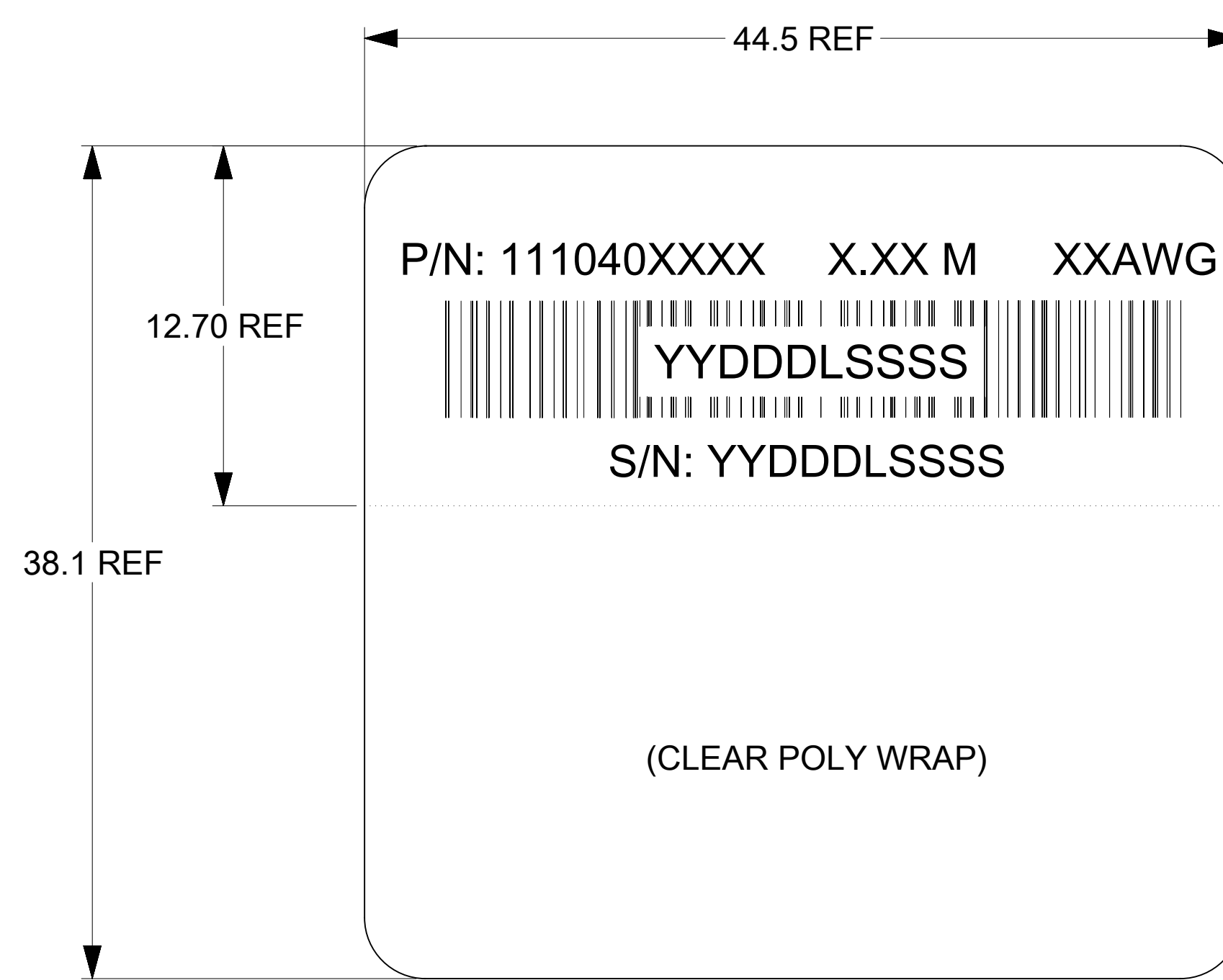
**PART NUMBER TABLE**

MOLEX PN	LENGTH (M)	LENGTH TOLERANCE (mm)	AWG
1110401054	0.5	±30	30
1110401104	1.0	±50	30
1110401154	1.5	±50	30
1110401204	2.0	±50	30
1110401304	3.0	±50	30
1110401404	4.0	±50	30
1110401504	5.0	±80	30
1110402304	3.0	±50	28
1110403304	3.0	±50	26
1110403509	5.0	±80	26
1110404708	7.0	±80	24

CABEL LABEL FOR 24 AND 26 AWG CABLE ASSEMBLY



CABEL LABEL FOR 28 AND 30 AWG CABLE ASSEMBLY



P/N: 111040XXXX - MOLEX PART NUMBER (SEE P/N TABLE)

X.XX M - CABLE LENGTH IN METERS (EXAMPLES - 0.5M, 1.0M, 1.5M)

XXAWG - CABLE SIZE IN AWG

S/N: YYDDDLSSSS - SERIAL NUMBER

YY = YEAR, THE LAST TWO DIGITS OF THE YEAR

DDD = DAY OF THE YEAR

L = LOCATION


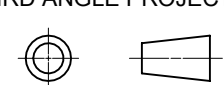
1 - USA

2 - MEXICO

3 - CHINA

4 - PHILIPPINES

SSSS = SERIAL NUMBER (0001-9999)

THIS DRAWING CONTAINS INFORMATION THAT IS PROPRIETARY TO MOLEX ELECTRONIC TECHNOLOGIES, LLC AND SHOULD NOT BE USED WITHOUT WRITTEN PERMISSION															
DIMENSION UNITS <b>mm</b>		SCALE <b>2:1</b>		CURRENT REV DESC: OBSOLETE PART NUMBER ASPER PCN#506884				 <p>QSFP+ COPPER PATCH CABLE ASSEMBLY CABLE ASSEMBLY</p>							
GENERAL TOLERANCES (UNLESS SPECIFIED)				EC NO: 662770											
ANGULAR TOL ± 0.5°		4 PLACES ±		DRWN: SUGEEB		2021/04/19		PRODUCT CUSTOMER DRAWING							
3 PLACES ±		2 PLACES ± 0.13		CHK'D: GGA		2021/06/02									
1 PLACE ± 0.25		0 PLACES ±		APPR: GGA		2021/06/02		DOCUMENT NUMBER							
DRAFT WHERE APPLICABLE MUST REMAIN WITHIN DIMENSIONS				THIRD ANGLE PROJECTION		DRAWING		SERIES		MATERIAL NUMBER		CUSTOMER		SHEET NUMBER	
						D-SIZE		111040		SEE P/N TABLE		GENERAL MARKET		3 OF 3	
DOCUMENT STATUS		P1		RELEASE DATE		2021/06/02 05:45:03		1110400001		PSD		000		AA1	