

A

B

C

D

E

1

1

2

2

3

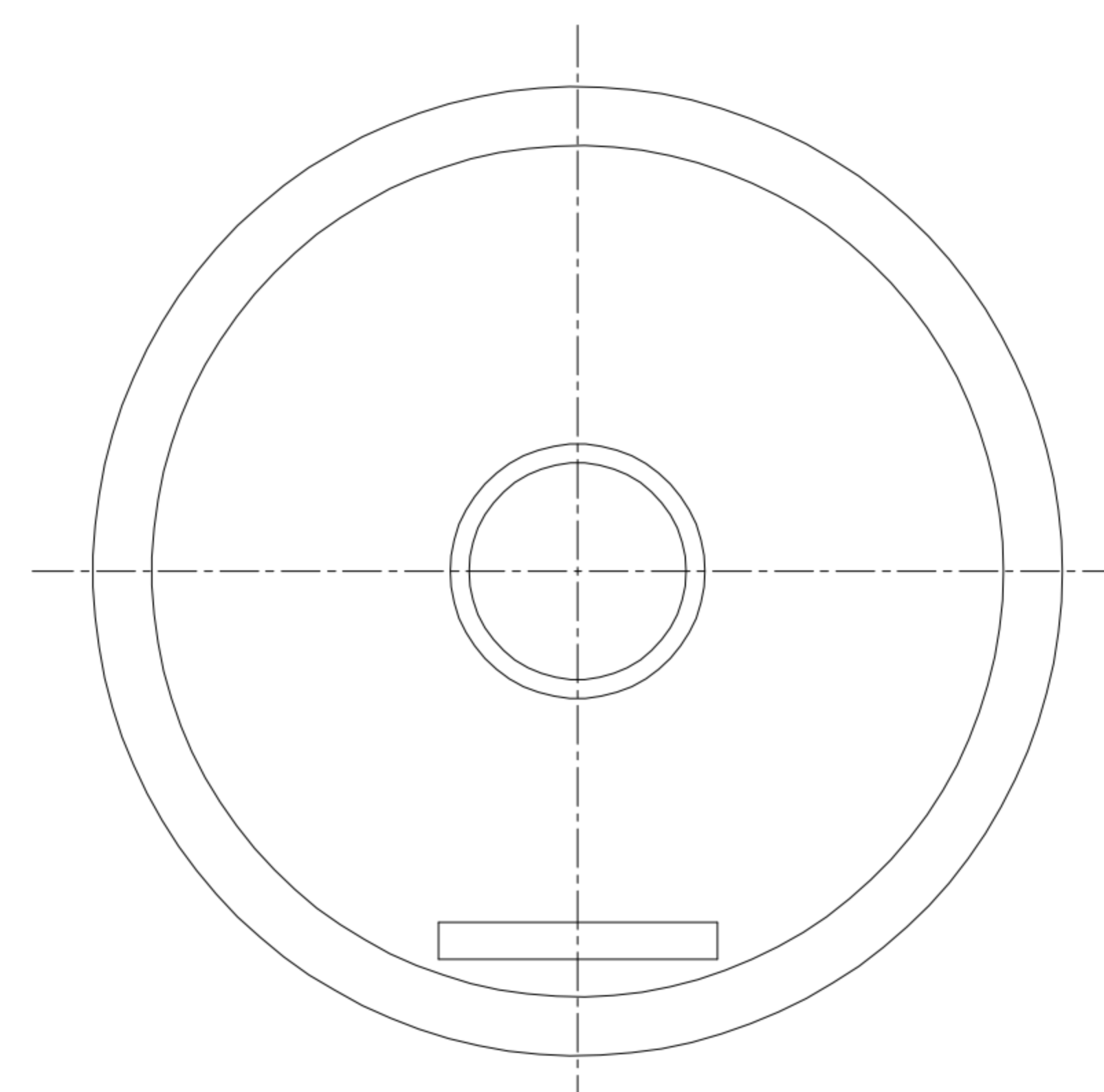
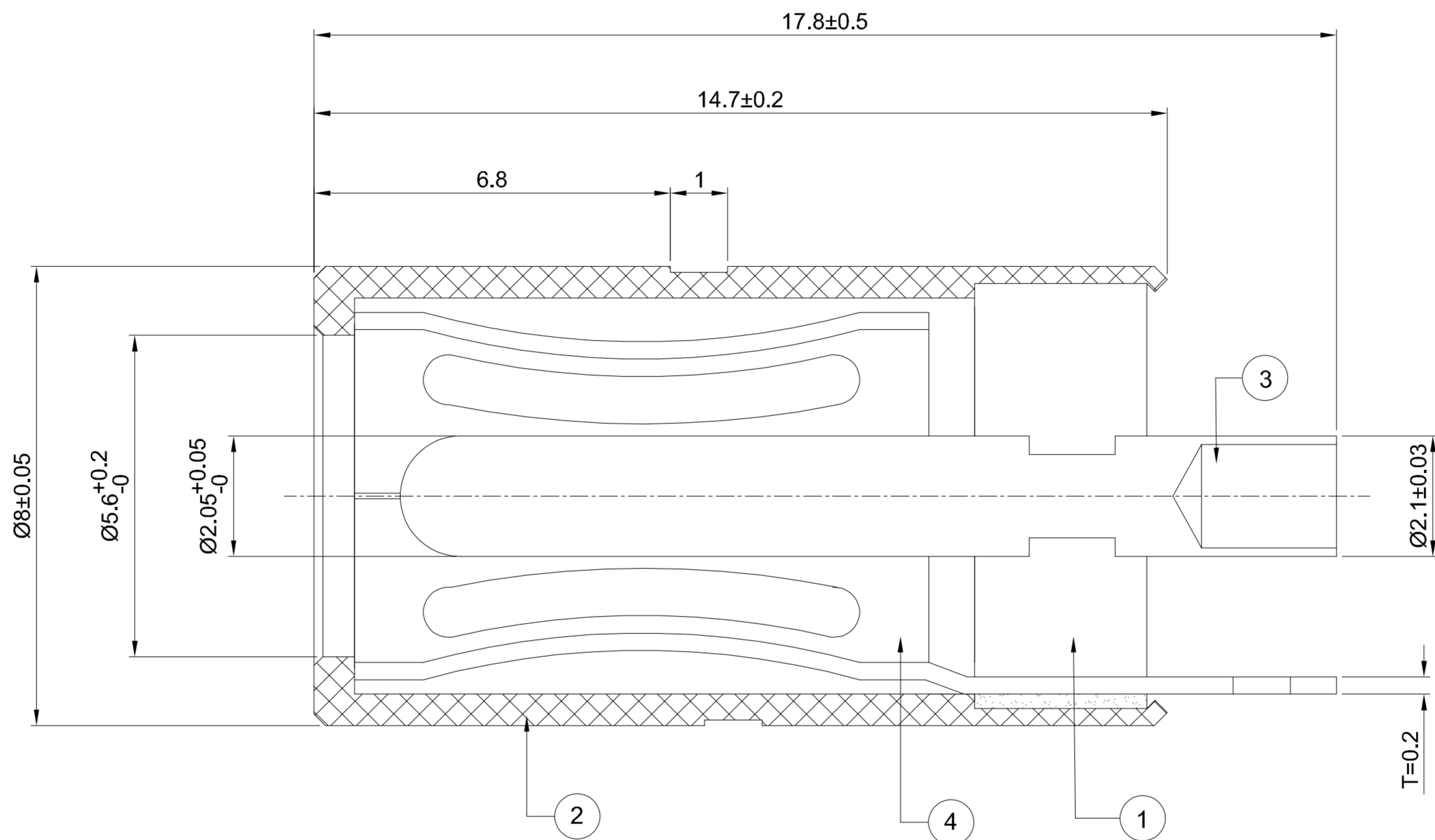
3

4

4

5

5



- G-Switch Specification:**
1. Operating temperature range: -40°C ~ +85°C
  2. Rated load: 15A 24V DC.
  3. Insulation resistance: 100MΩ min
  4. Withstand voltage: 500V AC/min
  5. Contact resistance: 30mΩ max
  6. Durability cycle: 5,000 Cycles
  7. Insertion and extraction force: 3-30N

1	BASE	HIGH TEMPERATURE PLASTIC	PBT BLACK
2	SHELL	BRASS(C3604)	Ni PLATING
3	PIN	BRASS(C3604)	Ni PLATING
4	CONTACT	BRASS(C5191)	Ni PLATING
NO.	PART NAME	MATERIAL	REMARK



SCALE: 1:1	UNIT: mm	Title: Soldered Type DC Power Jack 5521	
SIZE: A4		L=14.7 Ø2.05mm	
Unless otherwise General tolerance:		Molde Code: DC-S016D-D020-15A	
X	±0.40	DRAWN	CHECKED
X.x	±0.30	APPROVED	DATE
X.xx	±0.20	Xia	Chen
X°	±5°	Chen	2023.02.01
X.x°	±3°	REV: A0	SHEET: 1/1



A

B

C

D

E