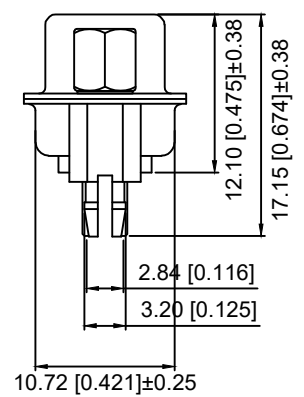
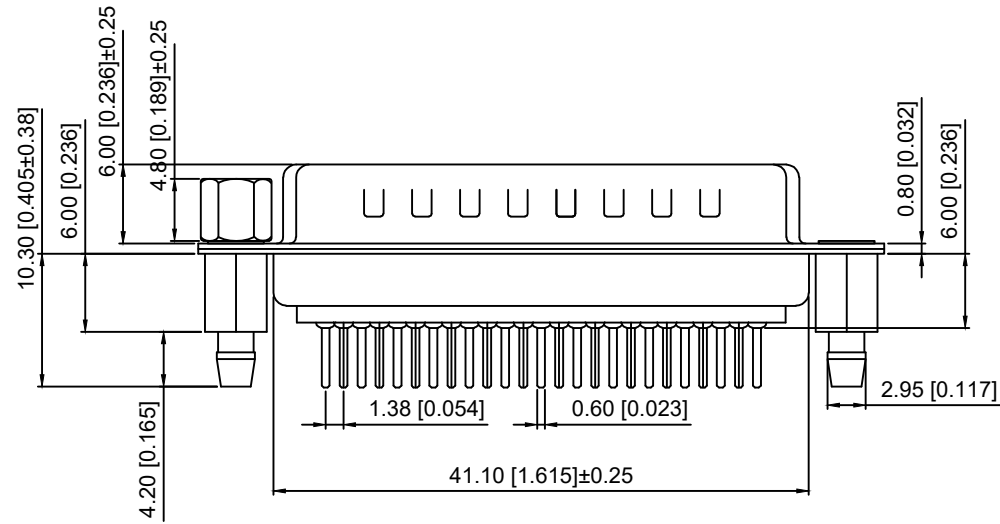


PCB LAYOUT



Specifications:

- 规格:
- Voltage rating:250VAC/DC
额定电压: 250V AC/DC
 - Current rating:3A AC/DC
额定电流:3A AC/DC
 - Withstanding voltage:500V AC/minute
耐受电压: ≥500V AC/分钟
 - Temperature range: -25°C~+80°C
温度范围: -25°C~+80°C
 - Insulation resistance:5000MΩMIN
绝缘电阻: ≥5000MΩ
 - Contact resistance:30mΩMax
接触电阻: ≥30mΩ
- Material:
- 材料:
- Rubber core:PBT UL94V-0
胶芯: PBT UL94V-0
 - The iron shell:SPCC Terminal half-Gold 15u Matte Tin
铁壳: SPCC 半金15u雾锡
- B、成品不能有弯针，R角不一致等不良。

X02 25 W T 17 B X

- ① ② ③ ④ ⑤ ⑥ ⑦

- Series N0.
- Row No.Pin No.XX-25;
- Welding Board Angle :W-Male
- T: Traditional
- Planting Category: 17-Terminal half-Gold 15u Matte Tin
- Color:B-BLACK
- 5:TYPE-5; 7:TYPE-7

铆合方式	TYPE-7:后铆鱼叉	TYPE-5:铆鱼叉锁螺丝
图示		

MARK	DESCRIPTION	DATE	REVISED	APPROVED	UNSPECIFIED TOLERANCES
ΔX					ANGLAR ±5°
ΔX					L ≤ 4 ±0.2
ΔX					4 < L ≤ 16 ±0.3
					16 < L ≤ 63 ±0.4
					L > 63 ±0.5
REVISIONS					UNSPECIFIED TOLERANCES
www.helloxkb.com www.helloxkb.cn www.xk-dg.cn					

DSND		SCALE: N/A	MODEL TYPE: D-USB
DWN		VIEW:	PART NO.: X0225WT17BX
CHKD		UNIT: mm/in	DWG NO.: X-X0225WT17BX
APPD		SIZE: A4	WEIGHT
XKB INDUSTRIAL PRECISION CO.,LIMITED			SHEET 1/1
			REVISION A0

