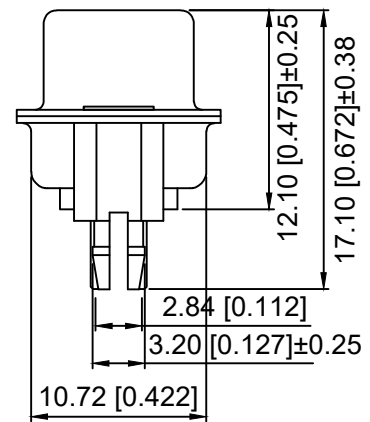
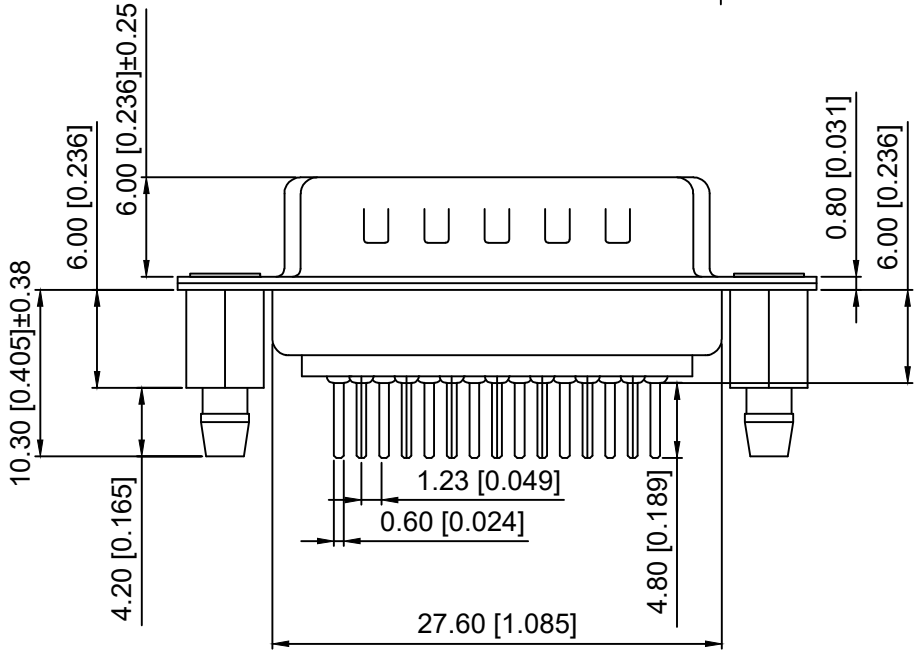


PCB LAYOUT

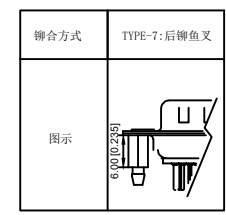


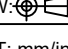
Specifications:

- 规格:
- 1.Voltage rating:250VAC/DC
额定电压: 250V AC/DC
 - 2.Current rating:3A AC/DC
额定电流: 3A AC/DC
 - 3.Withstanding voltage:500V AC/minute
耐受电压: ≥500V AC/分钟
 - 4.Temperature range: -25℃-+80℃
温度范围: -25℃-+80℃
 - 5.Insulation resistance:5000MΩMIN
绝缘电阻: ≥5000MΩ
 - 6.Contact resistance:30mΩMax
接触电阻: ≥30mΩ
- Material:
- 材料:
- 7.Rubber core:PBT UL94V-0
胶芯: PBT UL94V-0
 - 8.The iron shell:SPCC Terminal half-Gold 15u Matte Tin
铁壳: SPCC 半金15u雾锡
- B、成品不能有弯针，R角不一致等不良。

X02 15 W T 17 B 7

- ① ② ③ ④ ⑤ ⑥ ⑦
- ① Series N0.
 - ② Row No.Pin No.XX-15;
 - ③ Welding Board Angle :W-Male
 - ④ T: Tradutional
 - ⑤ Planting Category: 17-Terminal half-Gold 15u Matte Tin
 - ⑥ Color:B-BLACK
 - ⑦ 7:TYPE-7



					ANGLAR	±5°	DSND		SCALE: N/A	MODEL TYPE:	D-USB	
ΔX					L ≤ 4	±0.2	DWN		VIEW: 	PART NO.:	X0215WT17B7	
ΔX					4 < L ≤ 16	±0.3	CHKD		UNIT: mm/in	DWG NO.:	X-X0215WT17B7	
ΔX					16 < L ≤ 63	±0.4	APPD		SIZE: A4	WEIGHT	SHEET	REVISION
MARK	DESCRIPTION	DATE	REVISED	APPROVED	L > 63	±0.5	XKB INDUSTRIAL PRECISION CO.,LIMITED			1/1	A0	
REVISIONS					UNSPECIFIED TOLERANCES							
www.helloxkb.com www.helloxkb.cn www.xk-dg.cn												

