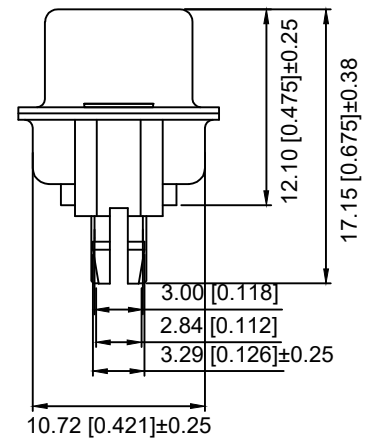
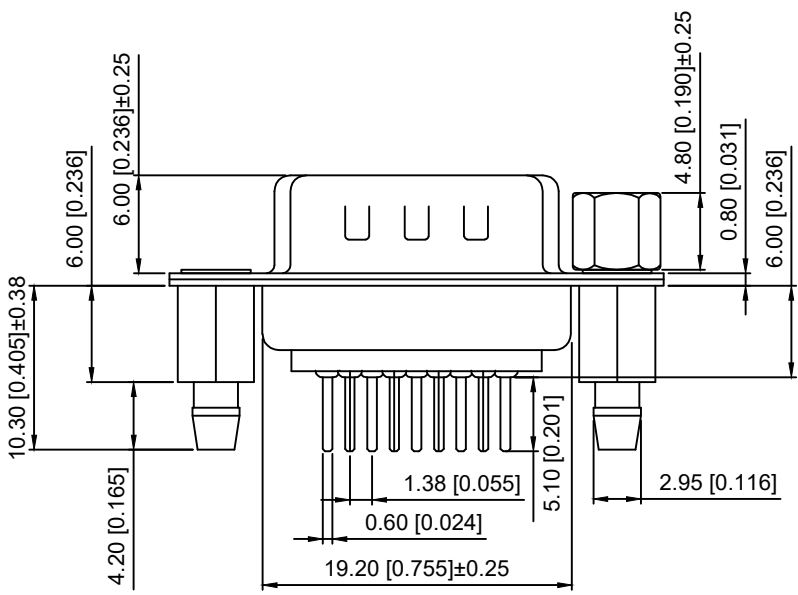


PCB LAYOUT



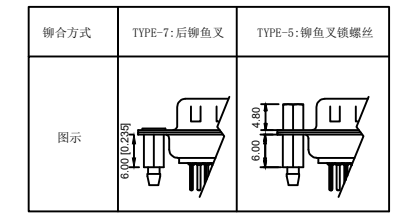
Specifications:

- 规格:
- Voltage rating:250VAC/DC  
额定电压: 250V AC/DC
  - Current rating:3A AC/DC  
额定电流: 3A AC/DC
  - Withstanding voltage:500V AC/minute  
耐受电压: ≥500V AC/分钟
  - Temperature range: -25℃~+80℃  
温度范围: -25℃~+80℃
  - Insulation resistance:5000MΩMIN  
绝缘电阻: ≥5000MΩ
  - Contact resistance:30mΩMax  
接触电阻: ≥30mΩ
- Material:
- 材料:
- Rubber core:PBT UL94V-0  
胶芯: PBT UL94V-0
  - The iron shell:SPCC Terminal half-Gold 15u Matte Tin  
铁壳: SPCC 半金15u雾锡
- B、成品不能有弯针，R角不一致等不良。

X02 09 W T 17 B X

- ① ② ③ ④ ⑤ ⑥ ⑦

- Series No.
- Row No.Pin No.XX-09;
- Welding Board Angle :W-Male
- T: Tradutional
- Planting Category: 17-Terminal half-Gold 15u Matte Tin
- Color:B-BLACK
- 5:TYPE-5 ; 7:TYPE-7



ANGLAR	±5°
ΔX	L ≤ 4 ±0.2
ΔX	4 < L ≤ 16 ±0.3
ΔX	16 < L ≤ 63 ±0.4
MARK	L > 63 ±0.5
REVISIONS	UNSPECIFIED TOLERANCES
www.helloxkb.com www.helloxkb.cn www.xk-dg.cn	



XKB INDUSTRIAL PRECISION CO., LIMITED

DSND	SCALE: N/A	MODEL TYPE: D-USB
DWN	VIEW:	PART NO.: X0209WT17BX
CHKD	UNIT: mm/in	DWG NO.: X-X0209WT17BX
APPD	SIZE: A4	WEIGHT SHEET REVISION
		1/1 A0