

General Description

The CD4043 is a quad R/S latch with 3-state outputs with a common output enable input (OE). Each latch has an active HIGH set input (1S to 4S), an active HIGH reset input (1R to 4R) and an active HIGH 3-state output (1Q to 4Q).

When OE is HIGH, the latch output (nQ) is determined by the nR and nS inputs as shown in function table. When OE is LOW, the latch outputs are in the high impedance OFF-state. OE does not affect the state of the latch. The high impedance off-state feature allows common bussing of the outputs.

It operates over a recommended V_{DD} power supply range of 3V to 15V referenced to V_{SS} (usually ground). Unused inputs must be connected to V_{DD} , V_{SS} , or another input.

Features

- 5V, 10V, and 15V parametric ratings
- Standardized symmetrical output characteristics
- Specified from -40°C to $+85^{\circ}\text{C}$
- Packaging information: DIP16/SOP16/TSSOP16

ORDERING INFORMATION

DEVICE	Package Type	MARKING	Packing	Packing QTY
CD4043BE	DIP-16	CD4043BE	Tube	1000/Box
CD4043BDTR	SOP-16	CD4043B	Tape	2500/Reel
CD4043BTDTR	TSSOP-16	CD4043B	Tape	3000/Reel

Block Diagram And Pin Description

Block Diagram

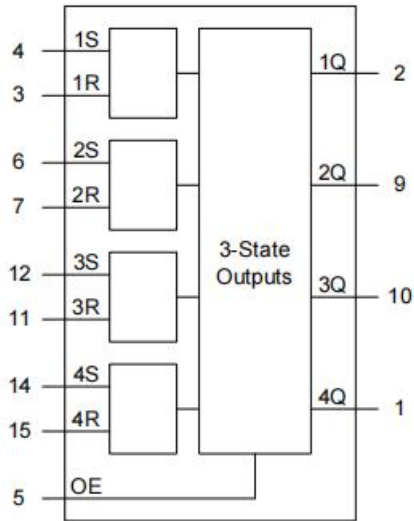


Figure 1. Functional diagram

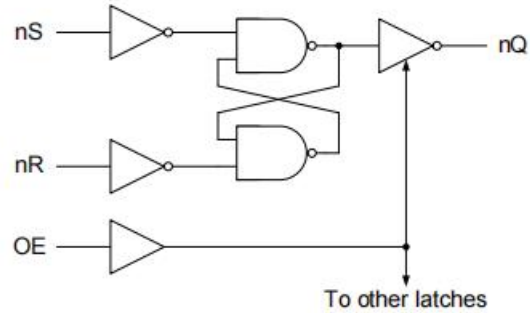
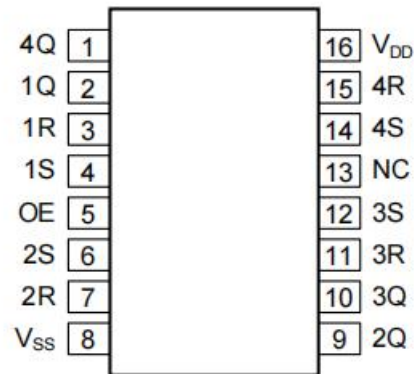


Figure 2. Logic diagram for one latch

Pin Configurations



Pin Description

Pin No.	Pin Name	Description
1	4Q	3-state buffered latch output
2	1Q	3-state buffered latch output
3	1R	reset input(active HIGH)
4	1S	set input (active HIGH)
5	OE	common output enable input
6	2S	set input(active HIGH)
7	2R	reset input(active HIGH)
8	V _{SS}	ground supply voltage
9	2Q	3-state buffered latch output
10	3Q	3-state buffered latch output
11	3R	reset input(active HIGH)
12	3S	set input(active HIGH)
13	NC	not connected
14	4S	set input(active HIGH)
15	4R	reset input(active HIGH)
16	V _{DD}	supply voltage

Function Table

Inputs			Output
OE	nS	nR	nQ
L	X	X	Z
H	L	H	L
H	H	X	H
H	L	L	latched

Note: [1] H=HIGH voltage level; L=LOW voltage level; X=don't care; Z=high impedance state.

Electrical Parameter

Absolute Maximum Ratings

Parameter	Symbol	Conditions	Min.	Max.	Unit
supply voltage	V_{DD}		-0.5	+18	V
input clamping current	I_{IK}	$V_I < -0.5V$ or $V_I > V_{DD}+0.5V$	-	± 10	mA
input voltage	V_I		-0.5	$V_{DD}+0.5$	V
output clamping current	I_{OK}	$V_O < -0.5V$ or $V_O > V_{DD}+0.5V$	-	± 10	mA
output current	I_O	$V_O=0V$ to V_{CC}	-	± 10	mA
supply current	I_{DD}	-	-	50	mA
total power dissipation	P_{tot}	-	-	500	mW
power dissipation	P_D	per output	-	100	mW
storage temperature	T_{Tsg}	-	-65	+150	°C
soldering temperature	T_L	10s	DIP	245	°C
			SOP	260	°C

Recommended Operating Conditions

Parameter	Symbol	Conditions	Min.	Typ.	Max.	Unit
supply voltage	V_{DD}	-	3	-	15	V
input voltage	V_I	-	0	-	V_{DD}	V
operating temperature	T_{amb}	-	-40	-	+85	°C

Electrical Characteristics

DC Characteristics 1 (T_{amb}=25°C, voltages are referenced to V_{SS} (ground=0V), unless otherwise specified.)

Parameter	Symbol	Conditions(V)			T _{amb} =25°C			Unit
		V _O	V _{IN}	V _{DD}	Min.	Typ.	Max.	
supply current	I _{DD}	-	0, 5	5	-	-	20	μA
		-	0, 10	10	-	-	40	μA
		-	0, 15	15	-	-	80	μA
LOW-level output current	I _{OL}	0.4	0, 5	5	0.44	-	-	mA
		0.5	0, 10	10	1.1	-	-	mA
		1.5	0, 15	15	3.0	-	-	mA
HIGH-level output current	I _{OH}	4.6	0, 5	5	-	-	-0.44	mA
		2.5	0, 5	5	-	-	-1.4	mA
		9.5	0, 10	10	-	-	-1.1	mA
		13.5	0, 15	15	-	-	-3.0	mA
LOW-level output voltage	V _{OL}	-	0, 5	5	-	-	0.05	V
		-	0, 10	10	-	-	0.05	V
		-	0, 15	15	-	-	0.05	V
HIGH-level output voltage	V _{OH}	-	0, 5	5	4.95	-	-	V
		-	0, 10	10	9.95	-	-	V
		-	0, 15	15	14.95	-	-	V
LOW-level input voltage	V _{IL}	0.5, 4.5	-	5	-	-	1.5	V
		1, 9	-	10	-	-	3	V
		1.5, 13.5	-	15	-	-	4	V
HIGH-level input voltage	V _{IH}	0.5, 4.5	-	5	3.5	-	-	V
		1, 9	-	10	7	-	-	V
		1.5, 13.5	-	15	11	-	-	V
input leakage current	I _I	-	0, 15	15	-	-	±1.0	μA
OFF-state output current	I _{OZ}	nQ output HIGH; returned to V _{DD}		15	-	-	1.6	μA
		nQ output LOW; returned to V _{SS}		15	-	-	1.6	μA
input capacitance	C _I	-	-	-	-	-	7.5	pF

DC Characteristics 2

(T_{amb}=-40°C to +85°C, voltages are referenced to V_{SS} (ground=0V), unless otherwise specified.)

Parameter	Symbol	Conditions(V)			T _{amb} =-40°C		T _{amb} =+85°C		Unit
		V _O	V _{IN}	V _{DD}	Min.	Max.	Min.	Max.	
supply current	I _{DD}	-	0, 5	5	-	20	-	150	μA
		-	0, 10	10	-	40	-	300	μA
		-	0, 15	15	-	80	-	600	μA
LOW-level output current	I _{OL}	0.4	0, 5	5	0.52	-	0.36	-	mA
		0.5	0, 10	10	1.3	-	0.9	-	mA
		1.5	0, 15	15	3.6	-	2.4	-	mA
HIGH-level output current	I _{OH}	4.6	0, 5	5	-	-0.52	-	-0.36	mA
		2.5	0, 5	5	-	-1.7	-	-1.1	mA
		9.5	0, 10	10	-	-1.3	-	-0.9	mA
		13.5	0, 15	15	-	-3.6	-	-2.4	mA
LOW-level output voltage	V _{OL}	-	0, 5	5	-	0.05	-	0.05	V
		-	0, 10	10	-	0.05	-	0.05	V
		-	0, 15	15	-	0.05	-	0.05	V
HIGH-level output voltage	V _{OH}	-	0, 5	5	4.95	-	4.95	-	V
		-	0, 10	10	9.95	-	9.95	-	V
		-	0, 15	15	14.95	-	14.95	-	V
LOW-level input voltage	V _{IL}	0.5, 4.5	-	5	-	1.5	-	1.5	V
		1, 9	-	10	-	3	-	3	V
		1.5, 13.5	-	15	-	4	-	4	V
HIGH-level input voltage	V _{IH}	0.5, 4.5	-	5	3.5	-	3.5	-	V
		1, 9	-	10	7	-	7	-	V
		1.5, 13.5	-	15	11	-	11	-	V
input leakage current	I _I	-	0, 15	15	-	±0.1	-	±1.0	μA
OFF-state output current	I _{OZ}	nQ output HIGH; returned to V _{DD}		15	-	1.6	-	12	μA
		nQ output LOW; returned to V _{SS}		15	-	1.6	-	12	μA

AC Characteristics ($T_{amb}=25^{\circ}\text{C}$, $V_{SS}=0\text{V}$, unless otherwise specified.)

Parameter	Symbol	Conditions	VDD	Min.	Typ.	Max.	Unit
HIGH to LOW propagation delay	t_{PHL}	nR→nQ; see Figure 4	5 ^[1]	-	90	180	ns
			10	-	35	70	ns
			15	-	25	50	ns
LOW to HIGH propagation delay	t_{PLH}	nS→nQ; see Figure 4	5 ^[1]	-	65	135	ns
			10	-	25	50	ns
			15	-	15	35	ns
transition time	t_{THL}, t_{TLH}	nQ output; see Figure 4	5 ^{[1][2]}	-	60	120	ns
			10	-	30	60	ns
			15	-	30	60	ns
HIGH to OFF-state propagation delay	t_{PHZ}	OE→nQ; see Figure 5	5	-	45	90	ns
			10	-	25	50	ns
			15	-	20	40	ns
LOW to OFF-state propagation delay	t_{PLZ}	OE→nQ; see Figure 5	5	-	50	100	ns
			10	-	20	40	ns
			15	-	15	30	ns
OFF-state to HIGH propagation delay	t_{PZH}	OE→nQ; see Figure 5	5	-	40	80	ns
			10	-	26	60	ns
			15	-	25	50	ns
OFF-state to LOW propagation delay	t_{PZL}	OE→nQ; see Figure 5	5	-	45	90	ns
			10	-	30	60	ns
			15	-	30	60	ns
pulse width	t_w	nS input HIGH; minimum width; see Figure 4	5	30	15	-	ns
			10	20	10	-	ns
			15	16	8	-	ns
		nR input HIGH; minimum width; see Figure 4	5	30	15	-	ns
			10	20	10	-	ns
			15	16	8	-	ns

Note:

The typical values of the propagation delay and transition times are calculated from the extrapolation formulas shown (C_L in pF).

Testing Circuit

AC Testing Circuit

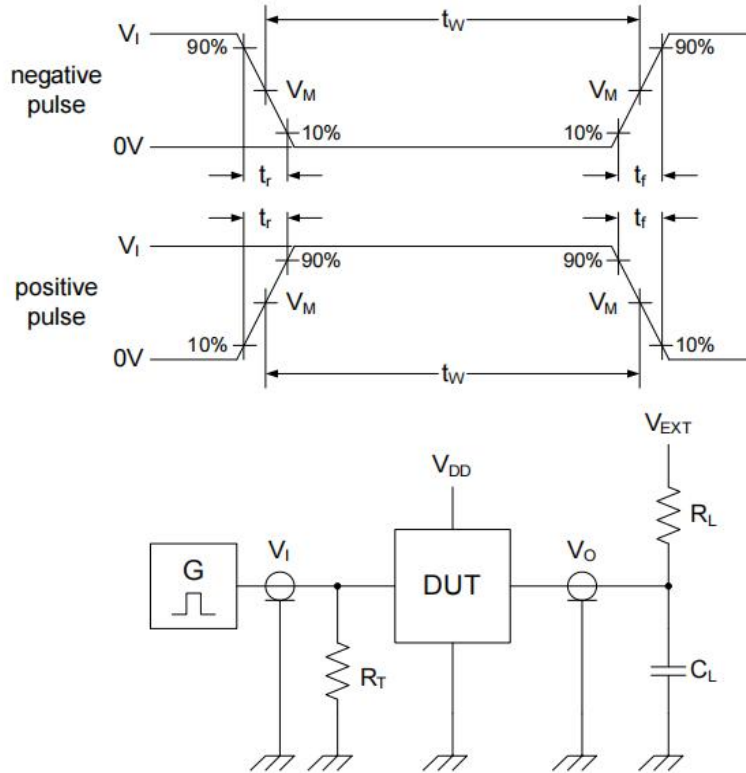


Figure 3. Test circuit for switching times

Definitions for test circuit:

DUT=Device Under Test

C_L =Load capacitance including jig and probe capacitance.

R_T =Termination resistance should be equal to the output impedance Z_o of the pulse generator.

V_{EXT} =External voltage for measuring switching times.

AC Testing Waveforms

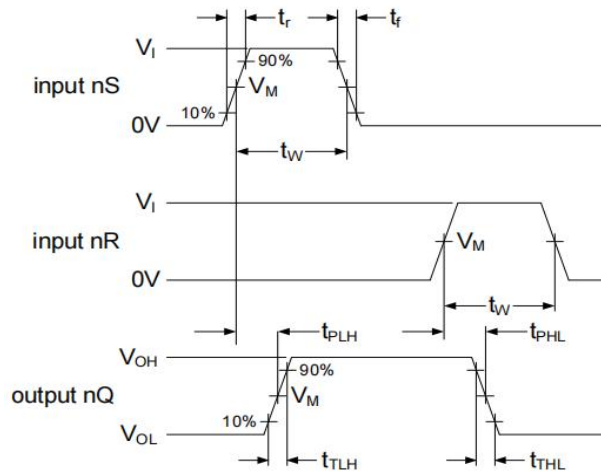


Figure 4. Input minimum set (nS) and reset (nR) pulse widths, inputs nS or nR to latch output (nQ) propagation delay and nQ transition time

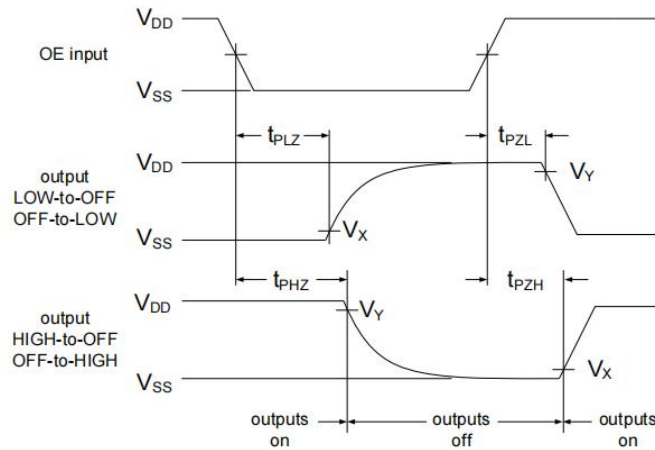


Figure 5. Output enable (OE) to latch output (nQ) enable time (t_{PZL} and t_{PZH}) and disable time (t_{PLZ} and t_{PHZ})

Measurement Points

Supply voltage	Input		Output		
V_{DD}	V_I	V_M	V_M	V_X	V_Y
5V to 15V	V_{DD} or 0V	$0.5 \times V_{DD}$	$0.5 \times V_{DD}$	$0.1 \times V_{DD}$	$0.9 \times V_{DD}$

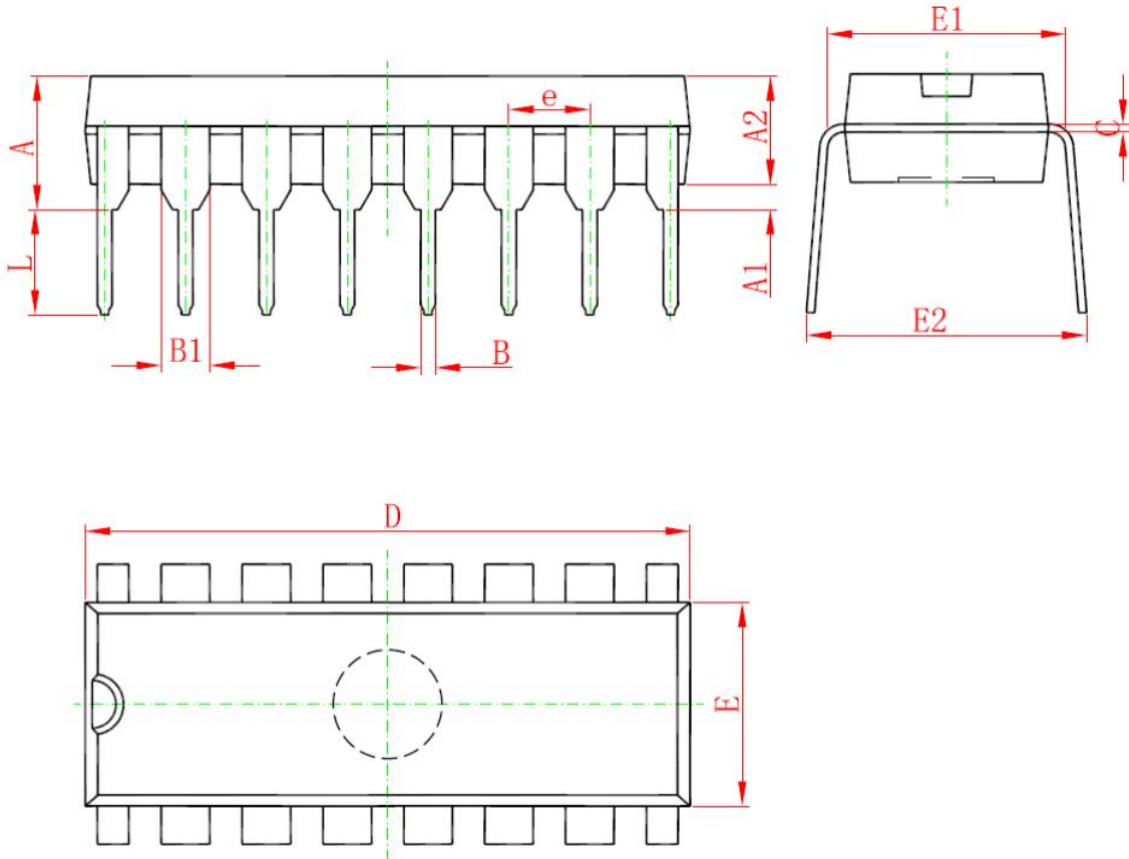
Test Data

Supply voltage	Input		Load		V_{EXT}		
V_{DD}	V_I	t_r, t_f	C_L	R_L	t_{PLH}, t_{PHL}	t_{PLZ}, t_{PZL}	t_{PHZ}, t_{PZH}

5V to 15V	V _{DD}	≤20ns	50pF	1KΩ	open	V _{DD}	GND
-----------	-----------------	-------	------	-----	------	-----------------	-----

Package Information

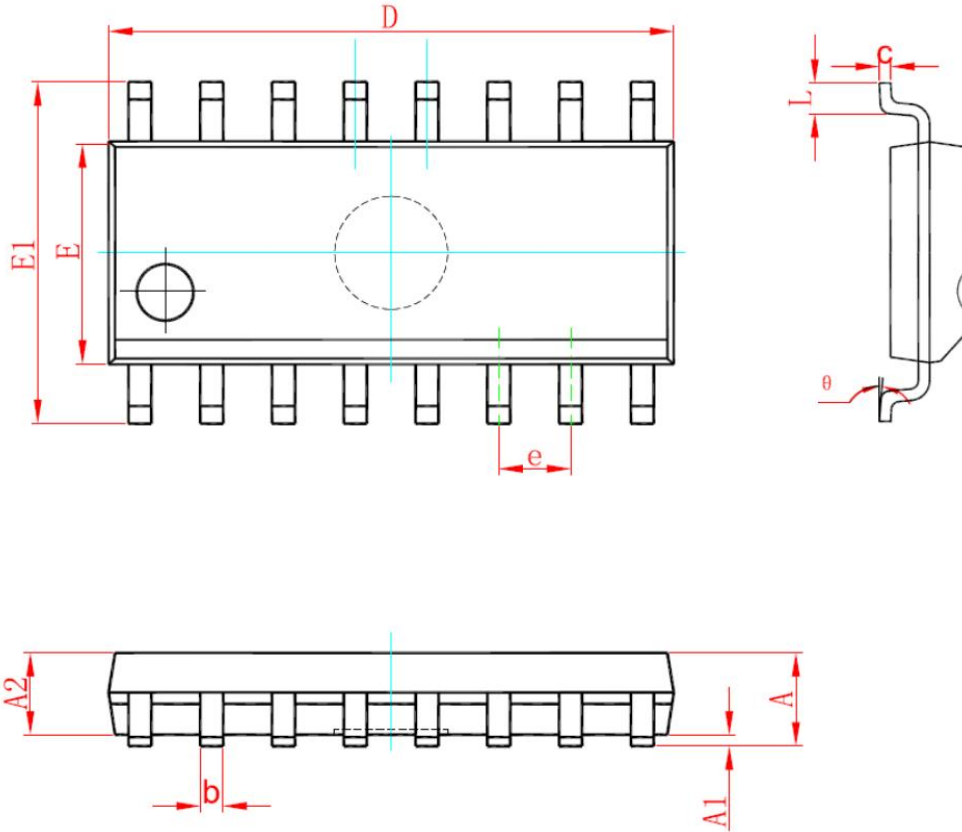
DIP16



Symbol	Dimensions In Millimeters		Dimensions In Inches	
	Min	Max	Min	Max
A	3.710	4.310	0.146	0.170
A1	0.510		0.020	
A2	3.200	3.600	0.126	0.142
B	0.380	0.570	0.015	0.022
B1	1.524(BSC)		0.060(BSC)	
C	0.204	0.360	0.008	0.014
D	18.800	19.200	0.740	0.756
E	6.200	6.600	0.244	0.260
E1	7.320	7.920	0.288	0.312
e	2.540(BSC)		0.100(BSC)	

L	3.000	3.600	0.118	0.142
E2	8.400	9.000	0.331	0.354

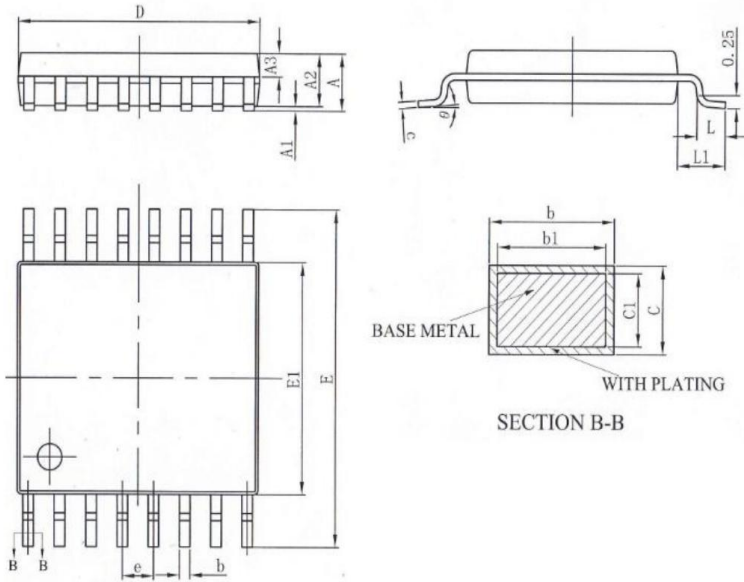
SOP16



Symbol	Dimensions In Millimeters		Dimensions In Inches	
	Min	Max	Min	Max
A	1.350	1.750	0.053	0.069
A1	0.100	0.250	0.004	0.010
A2	1.350	1.550	0.053	0.061
b	0.330	0.510	0.013	0.020
c	0.170	0.250	0.007	0.010
D	9.800	10.200	0.386	0.402
E	3.800	4.000	0.150	0.157
E1	5.800	6.200	0.228	0.244
e	1.270(BSC)		0.050(BSC)	
L	0.400	1.270	0.016	0.050

θ	0°	8°	0°	8°
----------	----	----	----	----

TSSOP16



SYMBOL	MILLIMETER		
	MIN	NOM	MAX
A	-	-	1.20
A1	0.05	-	0.15
A2	0.90	1.00	1.05
A3	0.39	0.44	0.49
b	0.20	-	0.28
b1	0.19	0.22	0.25
c	0.13	-	0.17
cl	0.12	0.13	0.14
D	4.90	5.00	5.10
E	6.20	6.40	6.60
E1	4.30	4.40	4.50
e	0.65BSC		
L	0.45	0.60	0.75
L1	1.00BSC		
θ	0	-	8°

Statements And Notes

Part name	Hazardous substances or Elements									
	Lead and lead compounds	Mercury and mercury compounds	Cadmium and cadmium compounds	Hexavalent chromium compounds	Polybrominated biphenyls	Polybrominated biphenyl ethers	Dibutyl phthalate	Butyl benzyl phthalate	Di-2-ethylhexyl phthalate	Diisobutyl phthalate
Lead frame	○	○	○	○	○	○	○	○	○	○
Plastic resin	○	○	○	○	○	○	○	○	○	○
Chip	○	○	○	○	○	○	○	○	○	○
The lead	○	○	○	○	○	○	○	○	○	○
Plastic sheet installed	○	○	○	○	○	○	○	○	○	○
explanation	○: Indicates that the content of hazardous substances or elements in the detection limit of the following the SJ/T11363-2006 standard. ×: Indicates that the content of hazardous substances or elements exceeding the SJ/T11363-2006 Standard limit requirements									

Statement:

- ◇ Shenzhen xinbole electronics co., ltd. reserves the right to change the product specifications, without notice!
Before placing an order, the customer needs to confirm whether the information obtained is the latest version, and verify the integrity of the relevant information.
- ◇ Any semiconductor product is liable to fail or malfunction under certain conditions, and the buyer shall be responsible for complying with safety standards in the system design and whole machine manufacturing using Shenzhen xinbole electronics co., ltd products, and take appropriate security measures to avoid the potential risk of failure may result in personal injury or property losses of the situation occurred!
- ◇ Product performance is never ending, Shenzhen xinbole electronics co., ltd will be dedicated to provide customers with better performance, better quality of integrated circuit products.