

Ratings

Voltage: 150 V
 Temperature: -40~70 °C

Conductor

Conductor count: 6
 Gauge: 20 AWG 0.51 mm²
 Material: Tinned copper strands
 Strand size: $\varnothing 0.1 \times 65$
 Resistance at 20 °C: 36.7 Ω /km Max

Insulator

Material: HDPE
 Color: red, black, white, yellow, blue, green
 Diameter: $\varnothing 1.45 \pm 0.10$ mm
 Nominal thickness: 0.24 mm
 Resistance at 20 °C: 100 M Ω /km Min

Wrap

Material: cotton paper

Filler

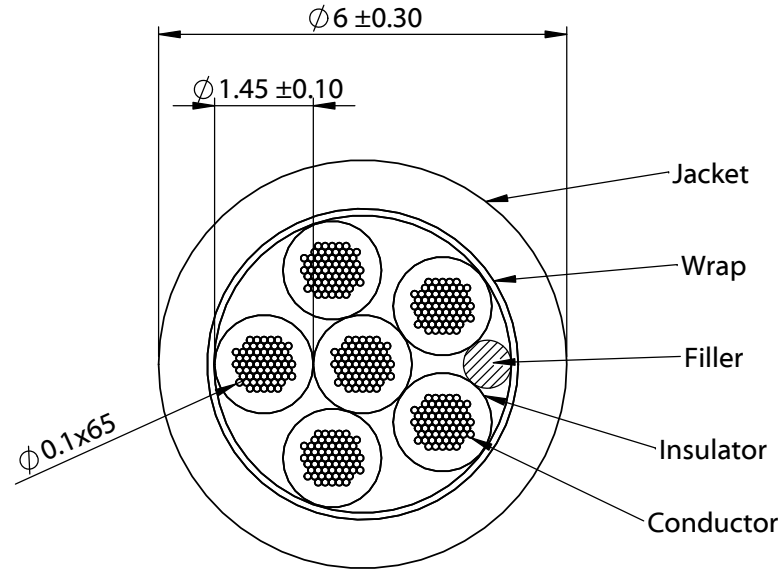
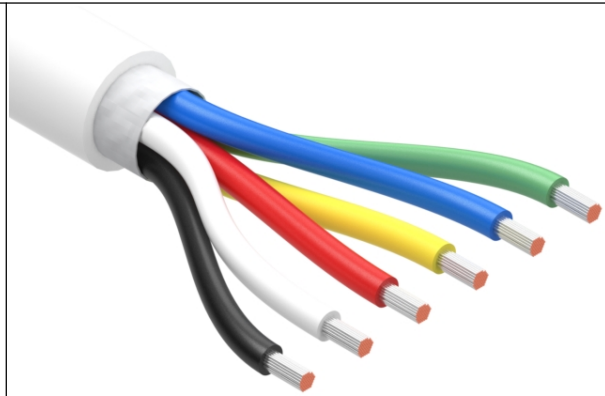
Material: aramid fiber

Outer jacket

Material: TPU
 Color: white
 Diameter: $\varnothing 6 \pm 0.30$ mm
 Nominal thickness: 0.7 mm

Tests

Tensile strength: 26 kgf min
 Dielectric test: 1500 V dc for 1 minute without breakdown
 Bend test at 200 g, $\pm 60^\circ$, 30 cycles /min: 15,000 cycle minimum



Revision:	Date:	Description:	Prepared:	Notes: RoHS compliant Jacket meets ISO 10993 Biological Compatibility Phthalate and halogen free Function test: no open, no short, no intermittent	<h1>TENSILITY</h1> <p>tel 1.541.323.3228 800 877.670.7118 fax 1.541.323.4202 web tensility.com</p>
A	9/12/2022	Initial release	Verified:		
			Dimensions are in millimeters. Tolerances: X: ± 0.5 mm X.X: ± 0.3 mm X.XX: ± 0.05 mm	Description:	Size: Part number:
				Wire, 6C TS, 20 AWG, 150V, 70C, 6.0 mm, TPU, 75A, white, WBL	A 30-02807
				Scale: 9:1	Sheet 1 of 1