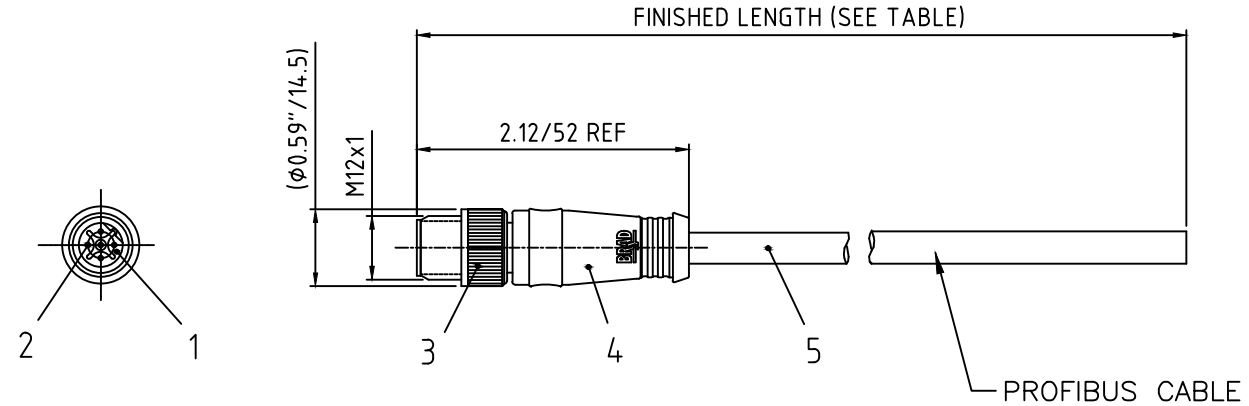
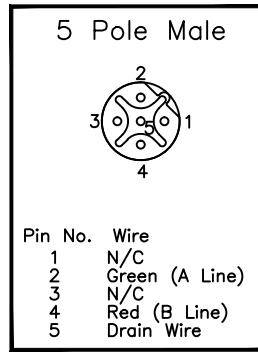


MATERIAL NUMBER	ENGINEERING NUMBER	FINISHED LENGTH
1200980099	B05S06PP4M010	3.28' +2.19" -0 [1.0M +55.6 -0]
1200980103	B05S06PP4M003	9.84' +3.50" -0 [3.0M +88.9 -0]
1200980104	B05S06PP4M050	16.4' +6.50" -0 [5.0M +165.1 -0]
1200980107	B05S06PP4M100	32.8' +12.50" -0 [10.0M +317.5 -0]
1200980108	B05S06PP4M300	98.4' +24.50" -0 [30.0M +622.3 -0]
1200988053	B05S06PP4M200	65.6' +24.50" -0 [20.0M +622.3 -0]



- © NOTES:
1. MATERIAL: AS NOTED
  2. FINISH: AS NOTED
  3. ELECTRICAL:  
VOLTAGE; 60VAC/DC  
CURRENT: 4A
  4. TEMP RATING:  
-40°C TO +80°C (STATIC)  
-20°C TO +80°C (FLEXING)
  5. PROTECTION: IP67 (WHEN MATED)
  6. ALL DIMS ARE FOR REFERENCE  
UNLESS NOTED OTHERWISE



ITEM	COMPONENT	MATERIAL	FINISH
1	INSERT	POLYURETHANE (PUR)	BLACK
2	CONTACT MATERIAL	COPPER ALLOY	GOLD OVER NICKEL
3	COUPLING NUT	BRASS	NICKEL PLATED
4	OVERMOLD	TPU	YELLOW
5	CABLE 2x0.2 <sup>2</sup> /24 AWG	JACKET: PUR	JACKET: VIOLET

ADD P/NS. & NOTES EC NO: IPG2017-0531 DRWN: RSTONE 11/23/16 CHKD: M.ZIELIN 2016/1/28 APPR: BWOODMAN 2010/01/28	QUALITY SYMBOLS ▽ = 0 ▽ = 0	GENERAL TOLERANCES (UNLESS SPECIFIED) <table border="1"> <thead> <tr> <th></th> <th>mm</th> <th>INCH</th> </tr> </thead> <tbody> <tr> <td>4 PLACES</td> <td>±---</td> <td>±---</td> </tr> <tr> <td>3 PLACES</td> <td>±---</td> <td>±---</td> </tr> <tr> <td>2 PLACES</td> <td>±---</td> <td>±0.1</td> </tr> <tr> <td>1 PLACE</td> <td>±0.3</td> <td>±---</td> </tr> <tr> <td colspan="3">ANGULAR ± --- °</td> </tr> </tbody> </table>		mm	INCH	4 PLACES	±---	±---	3 PLACES	±---	±---	2 PLACES	±---	±0.1	1 PLACE	±0.3	±---	ANGULAR ± --- °			DIMENSION STYLE IN/MM	SCALE 2:1	DESIGN UNITS METRIC	THIRD ANGLE PROJECTION
		mm	INCH																					
	4 PLACES	±---	±---																					
	3 PLACES	±---	±---																					
2 PLACES	±---	±0.1																						
1 PLACE	±0.3	±---																						
ANGULAR ± --- °																								
		DRAWN BY BBRAUCH	DATE 2010/01/25	CSE M12 5P BC MA STR PUR XM SHLD YL BRA AU M12 PROFIBUS CABLE																				
		CHECKED BY NS	DATE 2010/01/28	MOLEX INCORPORATED																				
		APPROVED BY REISSNER	DATE 2010/01/28	MATERIAL NO. SEE TABLE	DOCUMENT NO. SD-120098-036	SHEET NO. 1 OF 1																		
		DRAFT WHERE APPLICABLE MUST REMAIN WITHIN DIMENSIONS		SIZE A3	THIS DRAWING CONTAINS INFORMATION THAT IS PROPRIETARY TO MOLEX INCORPORATED AND SHOULD NOT BE USED WITHOUT WRITTEN PERMISSION																			