

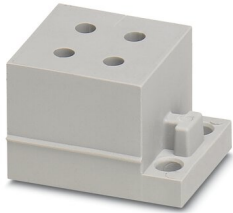
CES-STPG-GY-4X3 - Cable sleeve



0801710

<https://www.phoenixcontact.com/us/products/0801710>

Please be informed that the data shown in this PDF document is generated from our online catalog. Please find the complete data in the user documentation. Our general terms of use for downloads are valid.



Cable sleeve, small, no. of conductors: 4, type: Round cable, slotted, external cable diameter: 4x 2 mm ... 3 mm, material: SEBS (halogen-free), color: gray, length: 29.5 mm, width: 19.5 mm, height: 17 mm

Product description

Slotted cable sleeve

Commercial data

| | |
|--------------------------------------|---------------------|
| Item number | 0801710 |
| Packing unit | 1 pc |
| Minimum order quantity | 10 pc |
| Sales key | BF67 |
| Product key | BF7CCX |
| Catalog page | Page 681 (C-2-2019) |
| GTIN | 4046356675116 |
| Weight per piece (including packing) | 7.79 g |
| Weight per piece (excluding packing) | 7.94 g |
| Customs tariff number | 40169997 |
| Country of origin | PL |

CES-STPG-GY-4X3 - Cable sleeve

0801710

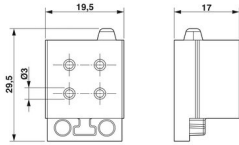
<https://www.phoenixcontact.com/us/products/0801710>

Technical data

Product properties

| | |
|-------------------|--------------|
| Product type | Cable sleeve |
| No. of conductors | 4 |

Dimensions

| | |
|---------------------|--|
| Dimensional drawing |  |
| Width | 19.5 mm |
| Height | 17 mm |
| Length | 29.5 mm |

Material specifications

| | |
|--|------|
| Material | SEBS |
| Flammability rating according to UL 94 | V0 |

Cable/line

| | |
|-----------------------------|------------------|
| External cable diameter () | 4x 2 mm ... 3 mm |
|-----------------------------|------------------|

Characteristics

| | |
|--------------------|-------------|
| Seal size | small |
| Design, Format | Round cable |
| Design, Cable seal | slotted |

Environmental and real-life conditions

Ambient conditions

| | |
|---------------------------------|---------------------------|
| Degree of protection | IP54 |
| Ambient temperature (operation) | -40 °C ... 80 °C (static) |

CES-STPG-GY-4X3 - Cable sleeve

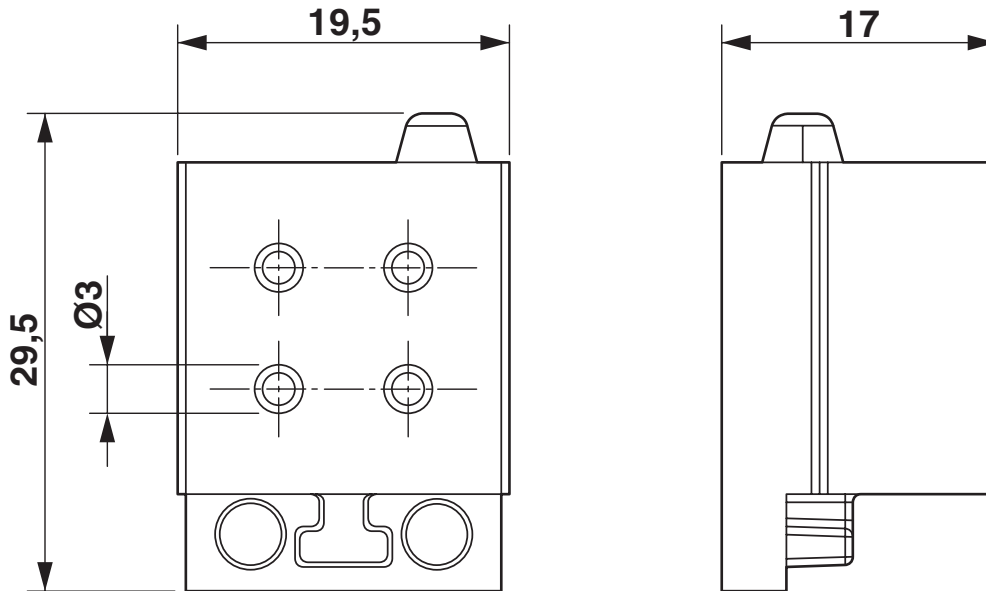


0801710

<https://www.phoenixcontact.com/us/products/0801710>

Drawings

Dimensional drawing



Dimensional drawing

CES-STPG-GY-4X3 - Cable sleeve



0801710

<https://www.phoenixcontact.com/us/products/0801710>

Approvals

To download certificates, visit the product detail page: <https://www.phoenixcontact.com/us/products/0801710>



cUL Recognized

Approval ID: NITW8.E255026



UL Recognized

Approval ID: NITW2.E255026

DNV

Approval ID: TAE00003VJ

cULus Recognized

CES-STPG-GY-4X3 - Cable sleeve



0801710

<https://www.phoenixcontact.com/us/products/0801710>

Classifications

ECLASS

| | |
|-------------|----------|
| ECLASS-11.0 | 27144425 |
| ECLASS-12.0 | 27144425 |
| ECLASS-13.0 | 27144425 |

ETIM

| | |
|----------|----------|
| ETIM 8.0 | EC000451 |
|----------|----------|

UNSPSC

| | |
|-------------|----------|
| UNSPSC 21.0 | 39121400 |
|-------------|----------|

CES-STPG-GY-4X3 - Cable sleeve



0801710

<https://www.phoenixcontact.com/us/products/0801710>

Environmental product compliance

| | |
|------------|---|
| China RoHS | Environmentally friendly use period: unlimited = EFUP-e |
| | No hazardous substances above threshold values |

CES-STPG-GY-4X3 - Cable sleeve

0801710

<https://www.phoenixcontact.com/us/products/0801710>



Accessories

KDT-ST 3 - Filler plugs

3063921

<https://www.phoenixcontact.com/us/products/3063921>



Filler plugs, material: PA, length: 25 mm, diameter: 3 mm

CES-B10-HFFS-PLBK - Sealing frame

0801663

<https://www.phoenixcontact.com/us/products/0801663>



Sealing frame, With locking latch, design: B10, Number of cable seals (small): 6, material: PA (halogen-free), color: black, length: 99.2 mm, width: 58 mm, height: 20 mm

CES-STPG-GY-4X3 - Cable sleeve

0801710

<https://www.phoenixcontact.com/us/products/0801710>



CES-B16-HFFS-PLBK - Sealing frame

0801662

<https://www.phoenixcontact.com/us/products/0801662>



Sealing frame, With locking latch, design: B16, Number of cable seals (small): 8, material: PA (halogen-free), color: black, length: 120 mm, width: 58 mm, height: 20 mm

CES-B24-HFFS-PLBK - Sealing frame

0801661

<https://www.phoenixcontact.com/us/products/0801661>



Sealing frame, With locking latch, design: B24, Number of cable seals (small): 10, material: PA (halogen-free), color: black, length: 147 mm, width: 58 mm, height: 20 mm

CES-STPG-GY-4X3 - Cable sleeve

0801710

<https://www.phoenixcontact.com/us/products/0801710>



CES-B10-SFFS-PLBK - Sealing frame

0801660

<https://www.phoenixcontact.com/us/products/0801660>



Sealing frame, with screw locking, design: B10, Number of cable seals (small): 6, material: PA (halogen-free), color: black, length: 99.2 mm, width: 58 mm, height: 20 mm

CES-B16-SFFS-PLBK - Sealing frame

0801659

<https://www.phoenixcontact.com/us/products/0801659>



Sealing frame, with screw locking, design: B16, Number of cable seals (small): 8, material: PA (halogen-free), color: black, length: 120 mm, width: 58 mm, height: 20 mm

CES-STPG-GY-4X3 - Cable sleeve

0801710

<https://www.phoenixcontact.com/us/products/0801710>



CES-B24-SFFS-PLBK - Sealing frame

0801658

<https://www.phoenixcontact.com/us/products/0801658>



Sealing frame, with screw locking, design: B24, Number of cable seals (small): 10, material: PA (halogen-free), color: black, length: 147 mm, width: 58 mm, height: 20 mm

Phoenix Contact 2023 © - all rights reserved

<https://www.phoenixcontact.com>

Phoenix Contact USA
586 Fulling Mill Road
Middletown, PA 17057, United States
(+717) 944-1300
info@phoenixcon.com