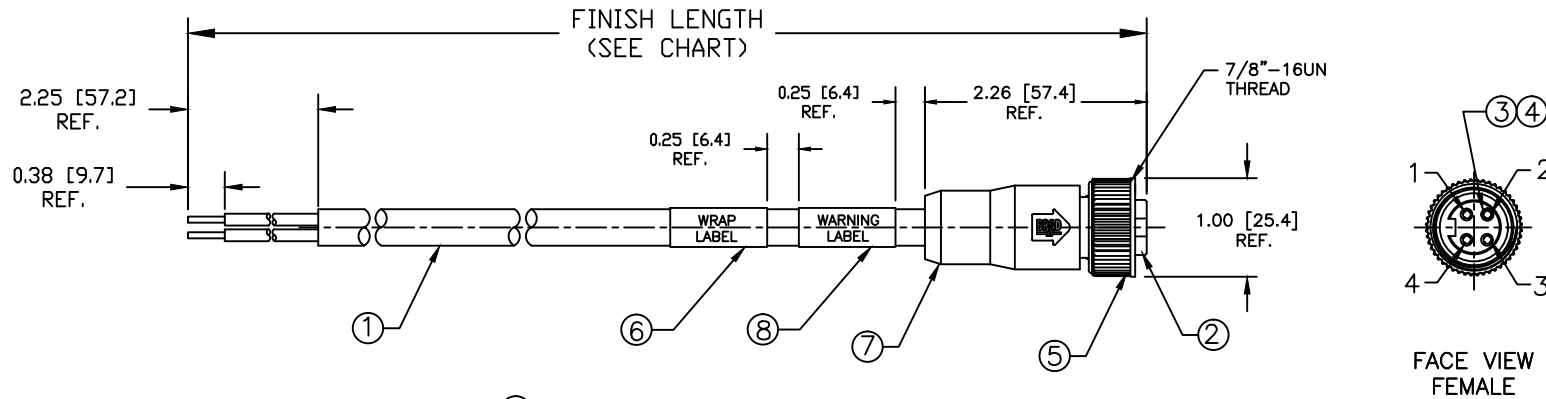


PART NUMBER	ENGINEERING NO.	LENGTH ± TOLERANCE
1300610091	104000A46M020	6' 6.74" +3.50"/-0" [ 2M +88.9/-0 mm ]



FACE VIEW FEMALE



WIRING DIAGRAM

- NOTES:
- 1) MATERIAL: SEE TABLE
  - 2) FINISHES: SEE TABLE
  - 3) WRAP LABEL IS MARKED WITH P/N, DATE CODE, VOLTAGE & AMPERAGE
  - 4) ELECTRICAL DATA:  
 INLINE CORDSET  
 FEMALE A-SIZE WITH FLYING LEADS  
 14AWG UNSHIELDED  
 POLES: 4  
 MAX. VOLTAGE: 600V  
 MAX. CURRENT 15A  
 PROTECTION IP67  
 TEMPERATURE RANGE: -20°C TO 90°C
  - 5) PACKAGING:  
 CABLE ASSEMBLIES ARE BAGGED SEPERATELY  
 IN POLY BAGS WITH BAR CODE LABEL ATTACHED  
 TO OUTSIDE OF BAG.
  - 6) ASSEMBLY IS RoHS COMPLIANT.
  - 7) CERTIFICATION:  
 UL2237, FILE NO. E258922

⑩ 104000A46M020

Cable type  
14/4 AWG TC/ST00W  
Gray PVC

cable length  
M020----2 Meter  
M100----10 Meter

8	WARNING LABEL	VINYL	ORANGE/BLACK
7	MOLDING COMPOUND	PVC	GRAY
6	WRAP LABEL	VINYL	YELLOW/BLACK
5	FEMALE COUPLING NUT	ZINC ALLOY	BLACK E-COAT
4	SOCKET SLEEVE	STAINLESS STEEL	
3	SOCKET CONTACT	BRASS	GOLD PLATE
2	4P FEMALE INSERT	PVC	BLACK
1	#14/4 CABLE	PVC JACKET	GRAY
ITEM	DESCRIPTION	MATERIAL	FINISH

REMOVE GREEN WIRE, ADD PIN MATR  
 EC NO: IPC2017-0162  
 DRWN: RSTONE 8/23/16  
 CHKD: K COX 2016/08/26  
 APPR: BWOODMAN 2010/01/20

QUALITY SYMBOLS  
 ▽=0  
 ▽/C=0

GENERAL TOLERANCES (UNLESS SPECIFIED)	
	mm INCH
4 PLACES	±--- ±---
3 PLACES	±--- ±---
2 PLACES	±--- ±.01
1 PLACE	±0.3 ±---
ANGULAR ±1°	
DRAFT WHERE APPLICABLE MUST REMAIN WITHIN DIMENSIONS	

DIMENSION STYLE INCH/MM	
DRAWN BY	DATE
---	---
CHECKED BY	DATE
BWOODMAN	2010/01/15
APPROVED BY	DATE
JFMURPHY	2010/01/20
MATERIAL NO.	SEE CHART
SIZE	A

SCALE 1:2	DESIGN UNITS INCH	THIRD ANGLE PROJECTION
TITLE MINI-CHANGE BRAD POWER 4P FP STRAIGHT #14/4 AWG PVC DROP CABLE		
MOLEX INCORPORATED		
DOCUMENT NO. SD-130061-012	SHEET NO. 1 OF 1	
THIS DRAWING CONTAINS INFORMATION THAT IS PROPRIETARY TO MOLEX INCORPORATED AND SHOULD NOT BE USED WITHOUT WRITTEN PERMISSION		