

EV-T2G3C-3AC32A-7,0M6,0ESBK01 - AC charging cable



1013068

<https://www.phoenixcontact.com/us/products/1013068>

Please be informed that the data shown in this PDF document is generated from our online catalog. Please find the complete data in the user documentation. Our general terms of use for downloads are valid.



CHARX connect comfort, AC charging cable, with vehicle charging connector and open cable end, for charging electric vehicles (EV) with alternating current (AC) via type 2 vehicle charging inlets, with protective cap, Type 2, IEC 62196-2, 32 A / 480 V (AC), housing: black, gray, PHOENIX CONTACT logo, cable: 7 m, black, straight

Product description

AC charging cable with vehicle charging connector and free cable end for charging electric vehicles (EV) with alternating current (AC) via type 2 vehicle charging inlets, for installation at charging stations for e-mobility (EVSE)

Your advantages

- Complete product range
- Convenient handling due to the ergonomic, triple award-winning design
- Available with your logo on request – for consistent branding of your charging station
- Longitudinal water tightness reliably prevents water ingress
- Developed and produced in accordance with the IATF 16949 automotive standard and ISO 9001
- Tested in accordance with automotive standards LV124, LV214, and LV215-2
- Tested in accordance with EV Ready 37 requirements
- Laser-marked mating face in accordance with DIN EN 17186

Commercial data

Item number	1013068
Packing unit	1 pc
Minimum order quantity	1 pc
Sales key	EM01
Product key	XWBAAC
GTIN	4055626491035
Weight per piece (including packing)	3,751 g
Weight per piece (excluding packing)	3,416 g
Customs tariff number	85444290
Country of origin	PL

EV-T2G3C-3AC32A-7,0M6,0ESBK01 - AC charging cable



1013068

<https://www.phoenixcontact.com/us/products/1013068>

Technical data

Product properties

Product type	AC charging cable
Product family	CHARX connect comfort
Application	for charging electric vehicles (EV) with alternating current (AC) via type 2 vehicle charging inlets for installation at charging stations for electromobility (EVSE)
Type	AC charging cable with vehicle charging connector and open cable end
Design	with protective cap
Affixed logo	PHOENIX CONTACT logo
Charging mode	Mode 3, Case C
Charging standard	Type 2

Electrical properties

Type of signal transmission	Pulse width modulation
Note on the connection method	Crimp connection, cannot be disconnected
Coding	220 Ω (between PE and PP)
Type of charging current	AC 3-phase
Charging power	26.6 kW
Charging current	32 A

Power contact

Number	5 (L1, L2, L3, N, PE)
Rated voltage	480 V AC
Rated current	32 A

Signal contact

Number	2 (CP, PP)
Rated voltage	30 V AC
Rated current	2 A

Dimensions

Vehicle charging connector

Width	70 mm
Height	137 mm
Depth	215.9 mm

Material specifications

Color (Housing)	black (9005)
Color (Handle area)	gray (7042)
Color (Mating face)	black (9005)
Color (Protective cap)	black (9005)

EV-T2G3C-3AC32A-7,0M6,0ESBK01 - AC charging cable



1013068

<https://www.phoenixcontact.com/us/products/1013068>

Color (Cable)	black (9005)
Material (Vehicle charging connector)	Plastic
Material (Cable outer sheath)	TPE-U
Material (Contact surface)	Silver

Cable/line

Cable length	7 m
Wiring standards/regulations	prEN 50620/DIN EN 50620
Wiring certifications	VDE
Cable weight	max. 505 kg/km
Cable type	Class 5
Cable type	straight
Cable structure	5 x 6.0 mm ² + 1 x 0.5 mm ²
External cable diameter	17 mm ±0.4 mm
Outer sheath, material	TPE-U
Stripping length of the sheath	70 mm ±5 mm
Cable resistance	≤ 0.0033 Ω/m (based on a power core, at an ambient temperature of 20°C)
Bending radius	min. 127.5 mm (7.5x diameter)

Mechanical properties

Mechanical data

Insertion/withdrawal cycles	> 10000
Insertion force	< 100 N
Withdrawal force	< 100 N

Environmental and real-life conditions

Ambient conditions

Degree of protection (Vehicle charging connector)	IP44 (plugged in; when plugged in and ready to operate, the degree of protection is only ensued if both plug-in components are original products from Phoenix Contact or suitable standard-compliant products)
Degree of protection (Protective cap)	IP54
Ambient temperature (operation)	-40 °C ... 50 °C
Ambient temperature (storage/transport)	-40 °C ... 80 °C
Altitude	5000 m (above sea level)

Standards and regulations

Standards

Standards/regulations	IEC 62196-2
-----------------------	-------------

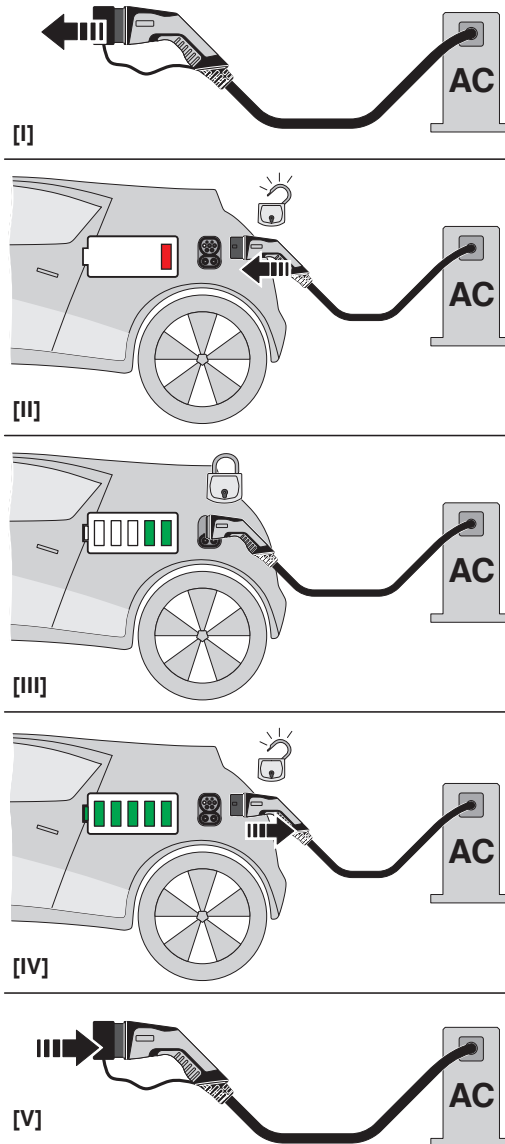
EV-T2G3C-3AC32A-7,0M6,0ESBK01 - AC charging cable

1013068

<https://www.phoenixcontact.com/us/products/1013068>

Drawings

Schematic diagram



Operating instructions

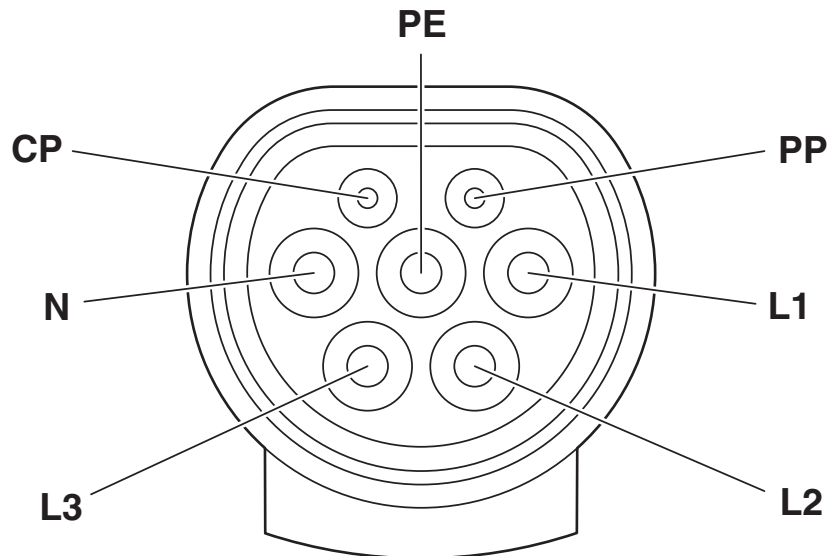
EV-T2G3C-3AC32A-7,0M6,0ESBK01 - AC charging cable



1013068

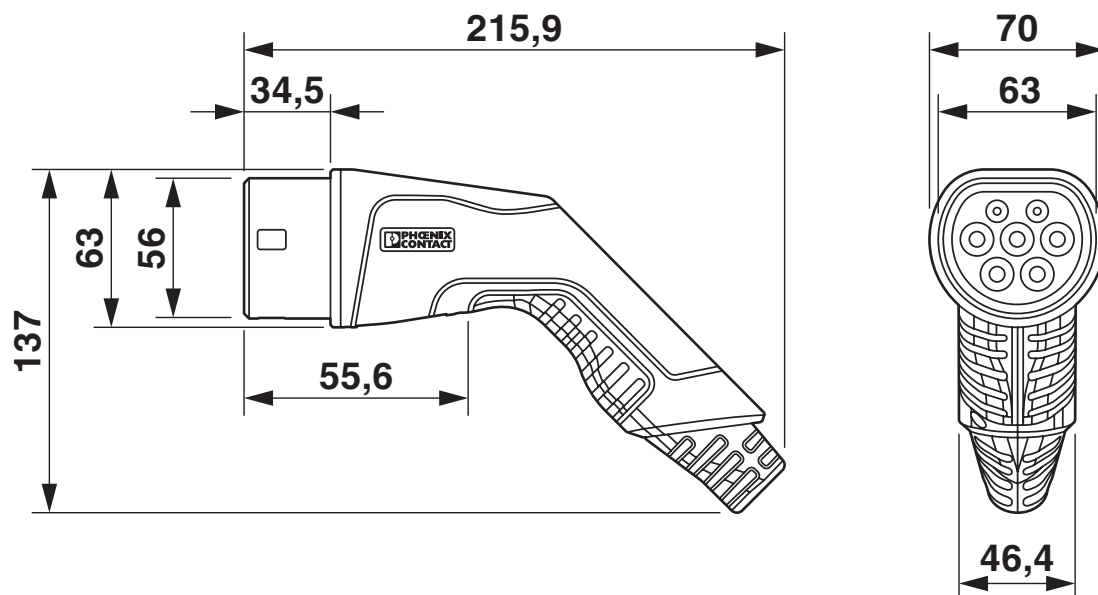
<https://www.phoenixcontact.com/us/products/1013068>

Schematic diagram



Pin assignment of the Vehicle Connector

Dimensional drawing



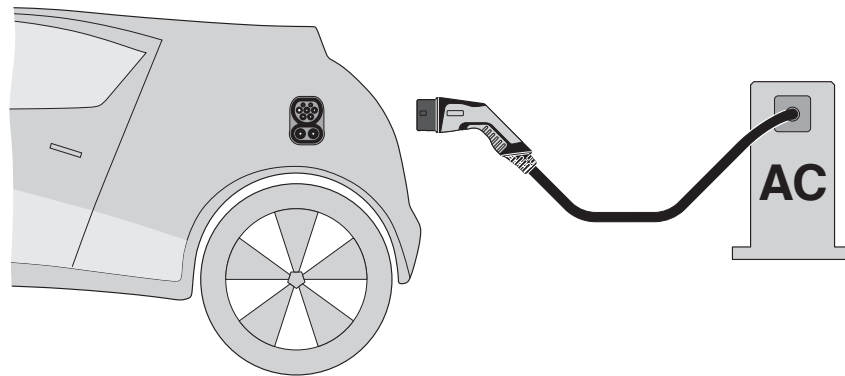
Make sure that the vehicle charging connector is placed in an appropriate charging connector holder, which ensures a minimum protection rating of IP24 in accordance with IEC 61851-1, for the entire time between charging. To create this charging connector holder, use the dimensions of the vehicle charging connector. Detailed dimensions can also be found in the Download area.

EV-T2G3C-3AC32A-7,0M6,0ESBK01 - AC charging cable

1013068

<https://www.phoenixcontact.com/us/products/1013068>

Schematic diagram



Terminology definition

EV-T2G3C-3AC32A-7,0M6,0ESBK01 - AC charging cable





1013068

<https://www.phoenixcontact.com/us/products/1013068>

Approvals

To download certificates, visit the product detail page: <https://www.phoenixcontact.com/us/products/1013068>

 IECEE CB Scheme Approval ID: DE1-65898/M1	Nominal voltage U_N	Nominal current I_N	Cross section AWG	Cross section mm^2
	480 V	32 A	-	-

 VDE Zeichengenehmigung Approval ID: 40045387	Nominal voltage U_N	Nominal current I_N	Cross section AWG	Cross section mm^2
	480 V	32 A	-	-

EV-T2G3C-3AC32A-7,0M6,0ESBK01 - AC charging cable



1013068

<https://www.phoenixcontact.com/us/products/1013068>

Classifications

ECLASS

ECLASS-11.0	27144705
ECLASS-12.0	27144705
ECLASS-13.0	27144705

ETIM

ETIM 8.0	EC002897
----------	----------

UNSPSC

UNSPSC 21.0	39121500
-------------	----------

EV-T2G3C-3AC32A-7,0M6,0ESBK01 - AC charging cable



1013068

<https://www.phoenixcontact.com/us/products/1013068>

Environmental product compliance

REACH SVHC	Lead 7439-92-1
China RoHS	Environmentally Friendly Use Period = 10;
	For information on hazardous substances, refer to the manufacturer's declaration available under "Downloads"

EV-T2G3C-3AC32A-7,0M6,0ESBK01 - AC charging cable



1013068

<https://www.phoenixcontact.com/us/products/1013068>

Accessories

EV-T2AC-PARK - Charging connector holder

1624148

<https://www.phoenixcontact.com/us/products/1624148>



CHARX connect, Charging connector holder, Accessories, for vehicle charging connectors on charging stations (EVSE), Type 2, IEC 62196-2, Front mounting, housing: black, PHOENIX CONTACT logo

EV-LABEL-C - Label

1309766

<https://www.phoenixcontact.com/us/products/1309766>



CHARX connect, Label, Accessories, for AC type 2 vehicle charging connector and for AC type 2 vehicle charging inlet, DIN EN 17186

EV-T2G3C-3AC32A-7,0M6,0ESBK01 - AC charging cable



1013068

<https://www.phoenixcontact.com/us/products/1013068>

CHARX SEC-1000 - AC charging controller

1139034

<https://www.phoenixcontact.com/us/products/1139034>



CHARX control modular, AC charging controller, IEC 61851-1, operating mode: Stand-Alone, Client, interface: CHARX control modular system bus, Connectable peripheral devices: Energy meter, RFID, DC residual current detection, DIN rail mounting

CHARX SEC-3000 - AC charging controller

1139022

<https://www.phoenixcontact.com/us/products/1139022>



CHARX control modular, AC charging controller, with Embedded Linux system, IEC 61851-1, operating mode: Stand-Alone, Client, Server, interface: Ethernet (2 x), CHARX control modular system bus, MICRO-USB type C, communication protocol: OCPP 1.6J, Modbus/TCP, MQTT, Connectable peripheral devices: Energy meter, RFID, DC residual current detection, DIN rail mounting

EV-T2G3C-3AC32A-7,0M6,0ESBK01 - AC charging cable



1013068

<https://www.phoenixcontact.com/us/products/1013068>

CHARX SEC-3050 - AC charging controller

1139018

<https://www.phoenixcontact.com/us/products/1139018>



CHARX control modular, AC charging controller, with Embedded Linux system, IEC 61851-1, ISO 15118, operating mode: Stand-Alone, Client, Server, interface: Ethernet (2x), CHARX control modular system bus, MICRO-USB type C, communication protocol: OCPP 1.6J, Modbus/TCP, MQTT, Connectable peripheral devices: Energy meter, RFID, DC residual current detection, DIN rail mounting

CHARX SEC-3100 - AC charging controller

1139012

<https://www.phoenixcontact.com/us/products/1139012>



CHARX control modular, AC charging controller, with Embedded Linux system, IEC 61851-1, operating mode: Stand-Alone, Client, Server, interface: Ethernet (2 x), Cellular communication (4G/2G), CHARX control modular system bus, MICRO-USB type C, communication protocol: OCPP 1.6J, Modbus/TCP, MQTT, Connectable peripheral devices: Energy meter, RFID, DC residual current detection, DIN rail mounting

EV-T2G3C-3AC32A-7,0M6,0ESBK01 - AC charging cable



1013068

<https://www.phoenixcontact.com/us/products/1013068>

CHARX SEC-3150 - AC charging controller

1138965

<https://www.phoenixcontact.com/us/products/1138965>



CHARX control modular, AC charging controller, with Embedded Linux system, IEC 61851-1, ISO 15118, operating mode: Stand-Alone, Client, Server, interface: Ethernet (2x), Cellular communication (4G/2G), CHARX control modular system bus, MICRO-USB type C, communication protocol: OCPP 1.6J, Modbus/TCP, MQTT, Connectable peripheral devices: Energy meter, RFID, DC residual current detection, DIN rail mounting

EEM-EM357 - Measuring instrument

2908588

<https://www.phoenixcontact.com/us/products/2908588>



Three-phase power meter for active power measurement with direct measurement in networks of up to 500 V / 80 A, with S0 output, with digital input and RS-485 interface, certified in accordance with the MID directive

EV-T2G3C-3AC32A-7,0M6,0ESBK01 - AC charging cable

1013068

<https://www.phoenixcontact.com/us/products/1013068>

EV-CC-AC1-M3-CC-SER-HS - AC charging controller

1622459

<https://www.phoenixcontact.com/us/products/1622459>



The EV-CC-AC1-M3-CBC-SER-HS charging controller with housing for DIN rail mounting is used for charging electric vehicles at 3-phase AC networks according to IEC 61851-1, Mode 3. Optimized for charging stations with permanently mounted Vehicle Connector. All charging functions and comprehensive configuration settings are already integrated.

EV-CC-AC1-M3-CC-SER-PCB - AC charging controller

1622460

<https://www.phoenixcontact.com/us/products/1622460>



The EV-CC-AC1-M3-CC-SER-PCB charging controller as a PCB for charging electric vehicles on a 3-phase AC power grid according to IEC 61851-1, Mode 3. Optimized for charging stations with permanently mounted Vehicle Connector. All charging functions and comprehensive configuration settings are already integrated.

EV-T2G3C-3AC32A-7,0M6,0ESBK01 - AC charging cable

1013068

<https://www.phoenixcontact.com/us/products/1013068>

EV-CC-AC1-M3-CC-SER-PCB-XC-25X - AC charging controller

1627742

<https://www.phoenixcontact.com/us/products/1627742>



The EV-CC-AC1-M3-CC-SER-PCB charging controller as a PCB for charging electric vehicles on a 3-phase AC power grid according to IEC 61851-1, Mode 3. Optimized for charging stations with permanently mounted Vehicle Connector. All charging functions and comprehensive configuration settings are already integrated.

EV-CC-AC1-M3-CC-SER-PCB-MSTB - AC charging controller

1627367

<https://www.phoenixcontact.com/us/products/1627367>



The EV-CC-AC1-M3-CC-SER-PCB-MSTB charging controller as a PCB for charging electric vehicles according to IEC 61851-1, Mode 3, optimized for charging stations with permanently mounted Vehicle Connector. Connection via PCB connector on header.

EV-T2G3C-3AC32A-7,0M6,0ESBK01 - AC charging cable

1013068

<https://www.phoenixcontact.com/us/products/1013068>

EM-CP-PP-ETH - AC charging controller

2902802

<https://www.phoenixcontact.com/us/products/2902802>



EV charge control is used to charge electrical vehicles on the 3-phase AC mains power supply according to IEC 61851-1 Mode 3. All necessary control functions are integrated. Additional functions are available for various charging applications.

VAL-EV-T1/T2 264/12.5/3+1 - Lightning/surge arrester type 1/2

1180149

<https://www.phoenixcontact.com/us/products/1180149>



CHARX protect advanced: Plug-in lightning surge/surge protective device, in accordance with Type 1/2 / Class I/II, for 3-phase power supply networks with separate N and PE (5-conductor system: L1, L2, L3, N, PE). Specifically designed for use in e-mobility.

EV-T2G3C-3AC32A-7,0M6,0ESBK01 - AC charging cable

1013068

<https://www.phoenixcontact.com/us/products/1013068>

VAL-EV-T1/T2 264/12.5/3+1-R - Lightning/surge arrester type 1/2

1180150

<https://www.phoenixcontact.com/us/products/1180150>



CHARX protect advanced: Plug-in lightning surge/surge protective device, in accordance with Type 1/2 / Class I/II, for 3-phase power supply networks with separate N and PE (5-conductor system: L1, L2, L3, N, PE), with remote indication contact. Specifically designed for use in e-mobility.

VAL-EV-T2 280/3+1 - Type 2 surge arrester

1180144

<https://www.phoenixcontact.com/us/products/1180144>



CHARX protect basic: Plug-in surge protective device, in accordance with Type 2/Class II, for 3-phase power supply networks with separate N and PE (5-conductor system: L1, L2, L3, N, PE). Specifically designed for use in e-mobility.

EV-T2G3C-3AC32A-7,0M6,0ESBK01 - AC charging cable



1013068

<https://www.phoenixcontact.com/us/products/1013068>

VAL-EV-T2 280/3+1-R - Type 2 surge arrester

1180145

<https://www.phoenixcontact.com/us/products/1180145>



CHARX protect basic: Plug-in surge protective device, in accordance with Type 2/Class II, for 3-phase power supply networks with separate N and PE (5-conductor system: L1, L2, L3, N, PE), with remote indication contact. Specifically designed for use in e-mobility.

G-INS-M32-M68N-PNES-BK - Cable gland

1411136

<https://www.phoenixcontact.com/us/products/1411136>



Cable gland, material for screw connection: PA, external cable diameter 15 mm .
.. 21 mm, shielding: no, connecting thread: M32 x 1.5, color: jet black RAL 9005

Phoenix Contact 2023 © - all rights reserved
<https://www.phoenixcontact.com>

Phoenix Contact USA
586 Fulling Mill Road
Middletown, PA 17057, United States
(+717) 944-1300
info@phoenixcon.com