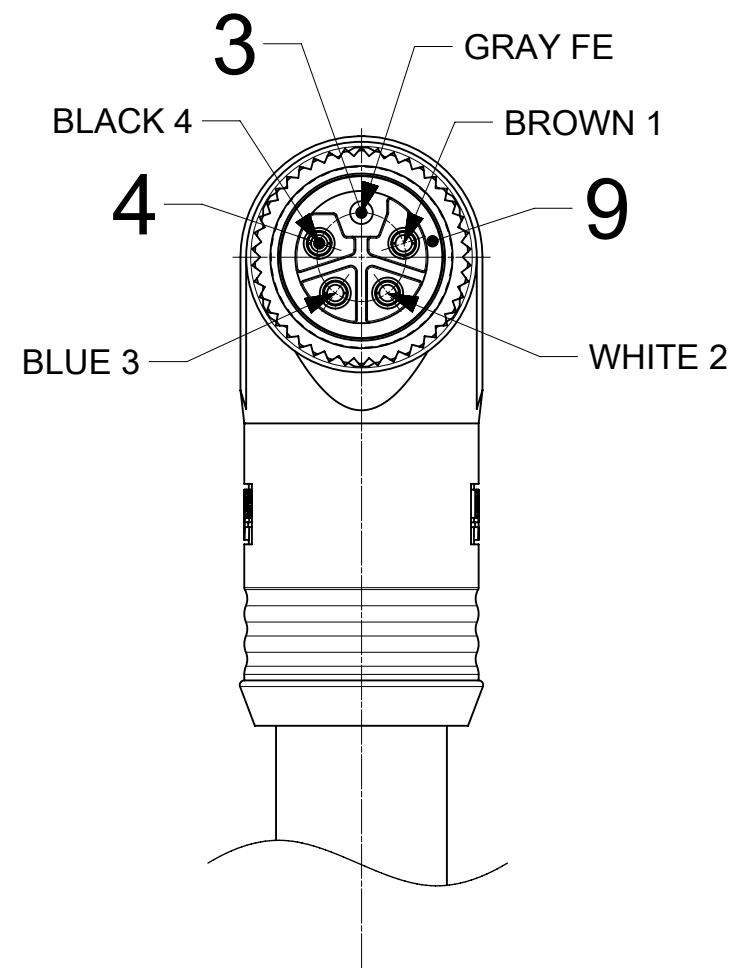
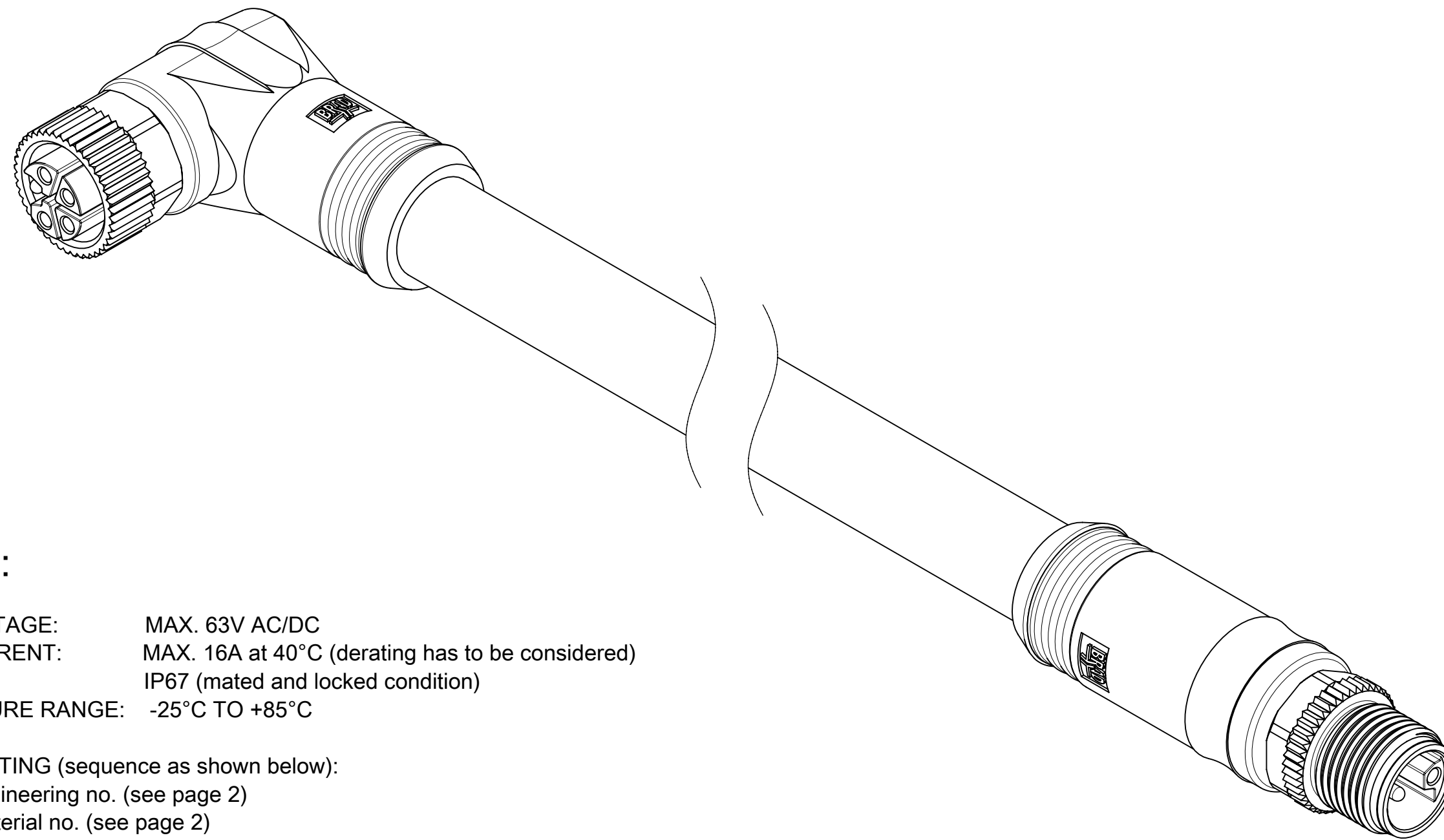
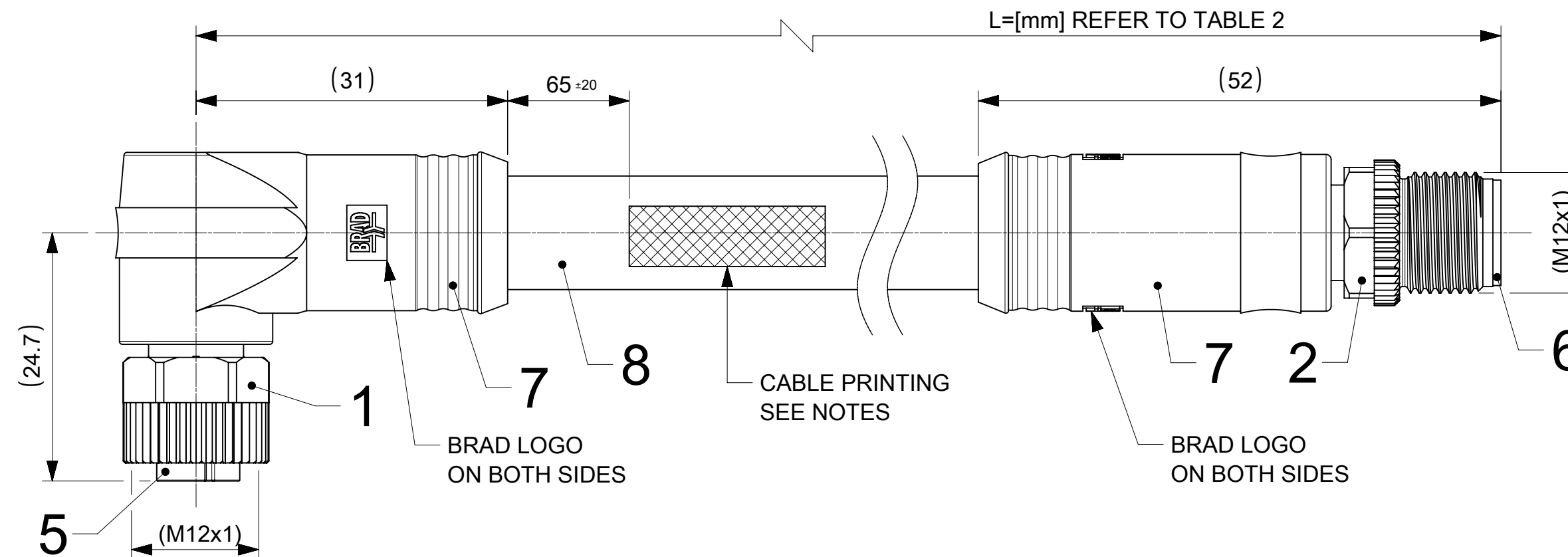
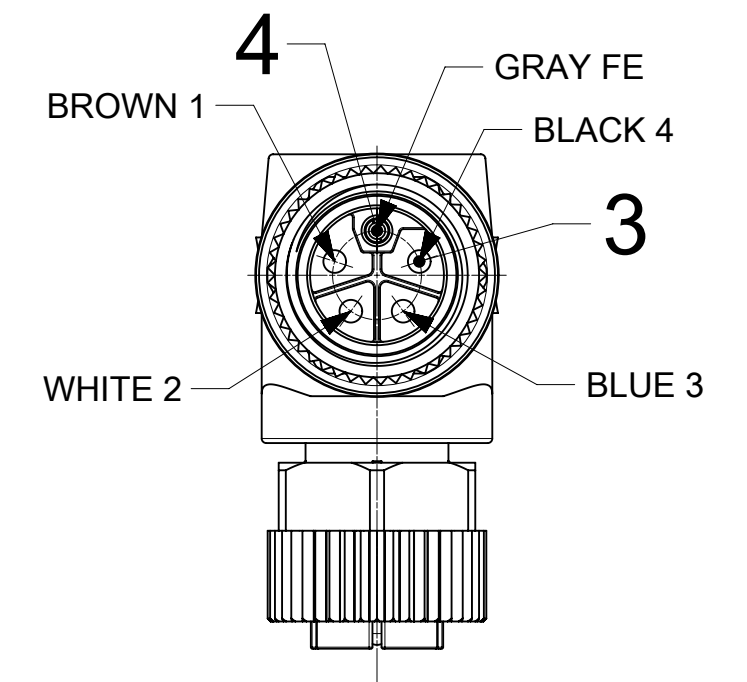


**MATING SIDE  
FEMALE CONNECTOR**



**MATING SIDE  
MALE CONNECTOR**



**NOTES:**

RATED VOLTAGE: MAX. 63V AC/DC  
 RATED CURRENT: MAX. 16A at 40°C (derating has to be considered)  
 IP RATING: IP67 (mated and locked condition)  
 TEMPERATURE RANGE: -25°C TO +85°C

**CABLE PRINTING (sequence as shown below):**

- MOLEX engineering no. (see page 2)
- MOLEX material no. (see page 2)
- MOLEX MAX. 63V AC/DC MAX. 16 A USL
- MOLEX AND DATE OF MANUFACTURING (YY=YEAR; WW=WEEK): MXYWW
- Not for current interrupting
- PROFINET 24V Power 4x2,5 + FE

PART ACCORDING PRODUCT SPEC: 1205010169  
 PACKAGING ACCORDING PACKAGING SPEC: 1201202000

**TABLE 1**

POS	DESCRIPTION	MATERIAL	FINISH
1	NUT M12 FE	BRASS	Ni
2	NUT M12 MA	BRASS	Ni
3	CONTACT 15 MA	BRASS	Au
4	CONTACT 15 FE	BRASS	Au
5	INSERT FEMALE	PA	GREY
6	INSERT MALE	PA	GREY
7	OVERMOLD	TPE	BLACK
8	CABLE 5x2.5 D11.3 WSOR	PUR	GREY
9	GASKET OR 8.2X1.25	FKM	BLACK
OPTIONAL 10	ID CARRIER	-	-

THIS DRAWING CONTAINS INFORMATION THAT IS PROPRIETARY TO MOLEX ELECTRONIC TECHNOLOGIES, LLC AND SHOULD NOT BE USED WITHOUT WRITTEN PERMISSION									
FUNCTIONAL SYMBOLS	FA = 0	DIMENSION UNITS	mm	SCALE	2:1	CURRENT REV DESC: UPDATED ATTRIBUTE TO GENERAL MARKET IN ECTR			
	FC = 0		GENERAL TOLERANCES (UNLESS SPECIFIED)		EC NO: 735577				
DIVISIONAL SYMBOLS	FP = 0	ANGULAR TOL ± 1.0°		4 PLACES ±		DRWN: MARUTD		2023/01/12	
	3 PLACES ±		2 PLACES ± 0.05		CHK'D: RSILLER		2023/01/19		
	1 PLACE ± 0.3		0 PLACES ± 0.5		APPR: RSILLER		2023/01/19		
	DRAFT WHERE APPLICABLE MUST REMAIN WITHIN DIMENSIONS		THIRD ANGLE PROJECTION		DRAWING		SERIES		INITIAL REVISION:
				A2-SIZE		120501		DRWN: FDAFERNER	
						2020/01/30		2021/03/15	
						MATERIAL NUMBER		CUSTOMER	
						SEE TABLE 2		GENERAL MARKET	
						DOCUMENT NUMBER		DOC TYPE   DOC PART   REVISION	
						1205010108		PSD   000   A1	
						MATERIAL NUMBER		CUSTOMER	
						SEE TABLE 2		GENERAL MARKET	
						DRAWING		SHEET NUMBER	
						A2-SIZE		1 OF 2	

DOCUMENT STATUS	P1	RELEASE DATE	2023/01/19	11:13:40
-----------------	----	--------------	------------	----------

# ENGINEERING NO - NUMERICAL CODE (Available parts see PART LIST table. Other parts available upon request).

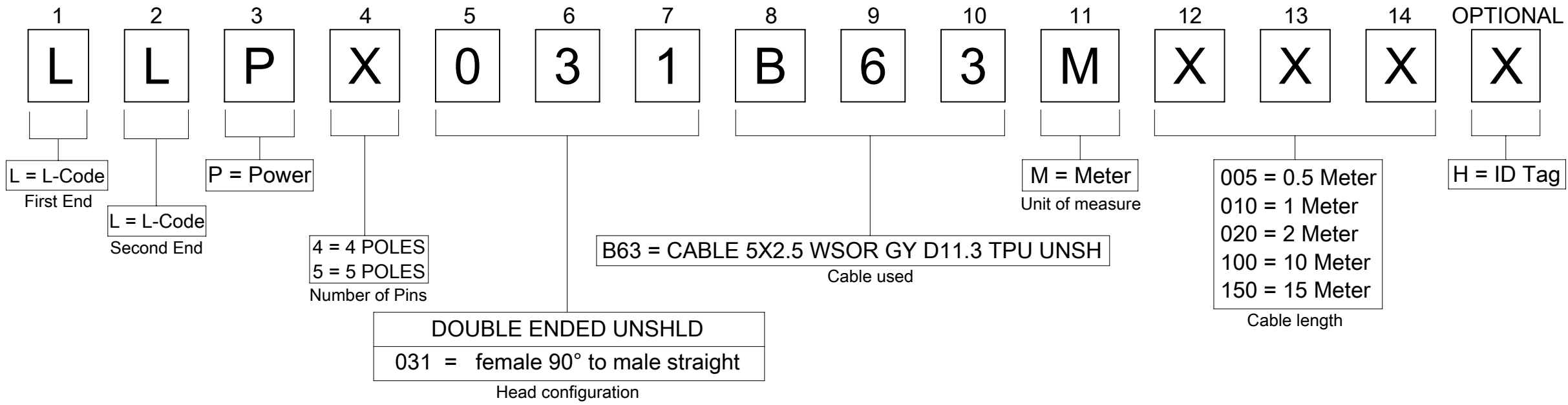


TABLE 2

NOMINAL SECTION 2,5mm <sup>2</sup>			
MATERIAL NO.	ENGINEERING NO.	L [mm]	TOLERANCE [mm]
1205010108	LLP5031B63M005	500	+40
1205010109	LLP5031B63M010	1000	+40
1205010110	LLP5031B63M020	2000	+60
1205010111	LLP5031B63M030	3000	+60
1205010112	LLP5031B63M050	5000	+60
1205010113	LLP5031B63M100	10000	+80
1205010114	LLP5031B63M150	15000	+140
1205010115	LLP5031B63M200	20000	+140

DOCUMENT STATUS	P1	RELEASE DATE	2023/01/19	11:13:40
-----------------	----	--------------	------------	----------

FUNCTIONAL SYMBOLS	THIS DRAWING CONTAINS INFORMATION THAT IS PROPRIETARY TO MOLEX ELECTRONIC TECHNOLOGIES, LLC AND SHOULD NOT BE USED WITHOUT WRITTEN PERMISSION			
	$\nabla_A = 0$ $\nabla_B = 0$ $\nabla_C = 0$	DIMENSION UNITS: <b>mm</b> SCALE: <b>1:1</b>		
DIVISIONAL SYMBOLS	GENERAL TOLERANCES (UNLESS SPECIFIED)		EC NO: 735577	
	ANGULAR TOL ± 1.0°		DRWN: MARUTD 2023/01/12	
	4 PLACES ±		CHK'D: RSILLER 2023/01/19	
	3 PLACES ±		APPR: RSILLER 2023/01/19	
2 PLACES ± 0.05		INITIAL REVISION:		
1 PLACE ± 0.3		DRWN: FDAFERNER 2020/01/30		
0 PLACES ± 0.5		APPR: RSILLER 2021/03/15		
DRAFT WHERE APPLICABLE MUST REMAIN WITHIN DIMENSIONS		THIRD ANGLE PROJECTION	DRAWING	SERIES
			A3-SIZE	120501
		MATERIAL NUMBER	CUSTOMER	SHEET NUMBER
		SEE TABLE 2	GENERAL MARKET	2 OF 2