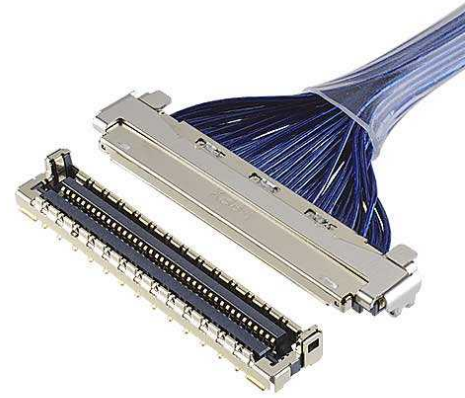


CABLIN[®]-UM

Fully-shielded and multi-point ground, Mechanical lock, High-data-rate transfer (20 Gbps/lane), 0.4 mm pitch, Right angle vertical mating type micro-coaxial connector



Product Specifications:

Mating type	Right Angle Vertical
Board Pitch (mm)	0.4
Wiping Length (mm)	0.65
Mated size (mm)	Height
	With Lock Cover : 2.2 +/- 0.15
	Without Lock Cover : 2.0 +/- 0.15
Width	With Pull Tape Holder: 2.2 +/- 0.15
	Formula: 5.0 + (0.4 * ? p)
Depth	5.0 with lock cover
Pin Counts	Range
	Up to 60
Available	30, 40, 60

Applicable Cable Size:

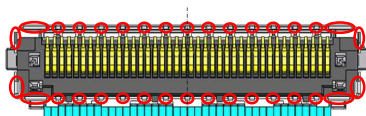
Maximum O.D. (mm)	0.4
Micro-Coaxial for Signal (AWG)	45 ohm: #38 or smaller 50 ohm: #40 or smaller
Twin Coaxial (AWG)	#40, #42
Discrete (AWG)	#34 or smaller

Applicable Standards (Reference Only):

USB4/Thunderbolt 4 (20 Gbps/lane), PCIe Gen 4 (16GT/s), eDP HBR 3 (8.1 Gbps)

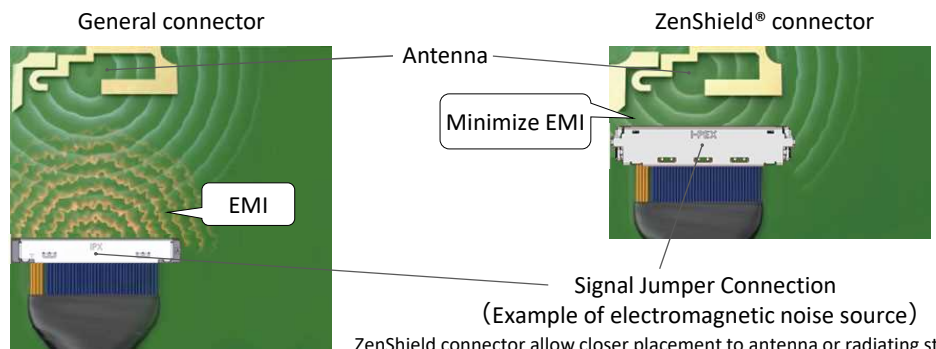
* Please inquire for pin counts not listed or outside of the pin count range.

ZenShield[®] fully-shielded with multi-point grounds to prevent EMI leakage



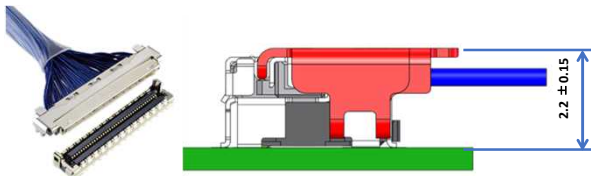
View From Underside

○ Ground SMT points

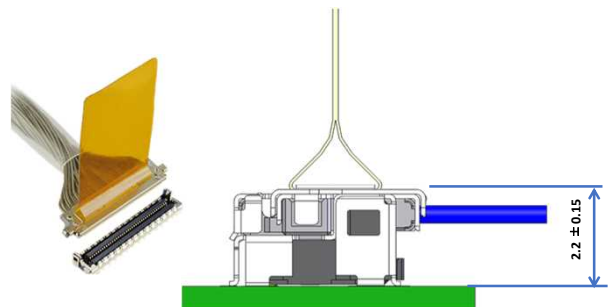


Wide range of variations

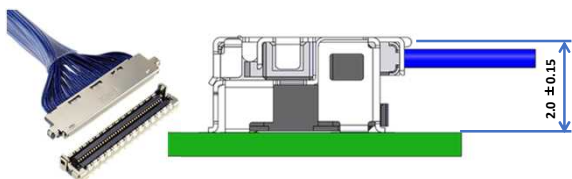
With Lock Cover---Enhanced mating retention force



With Pull tape holder---Improve unplug efficiency

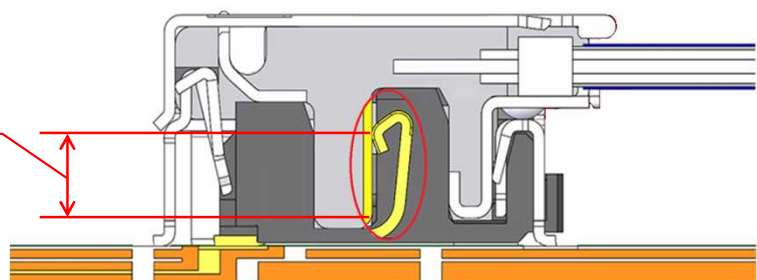


Without Lock Cover---Low profile



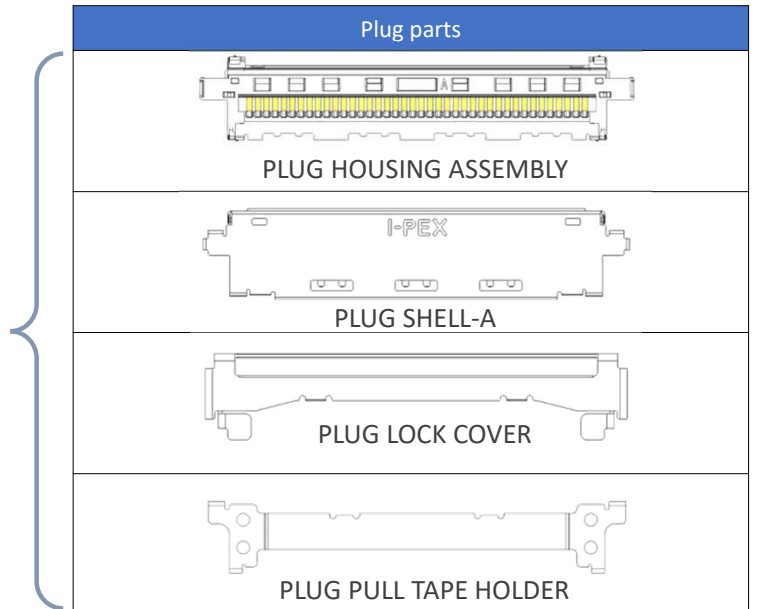
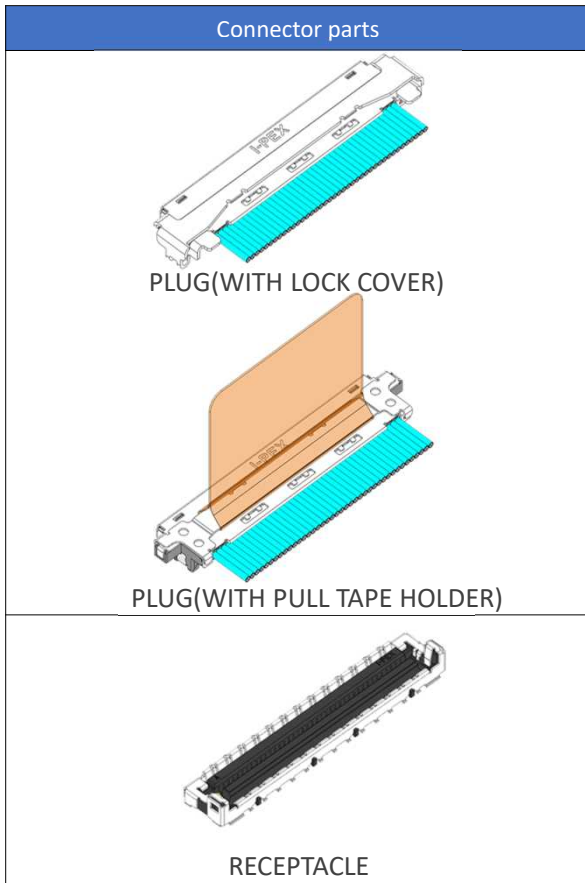
High contact reliability

Wiping length : 0.65 mm min.



Component Parts Details

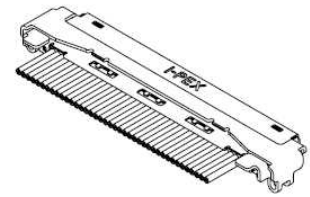
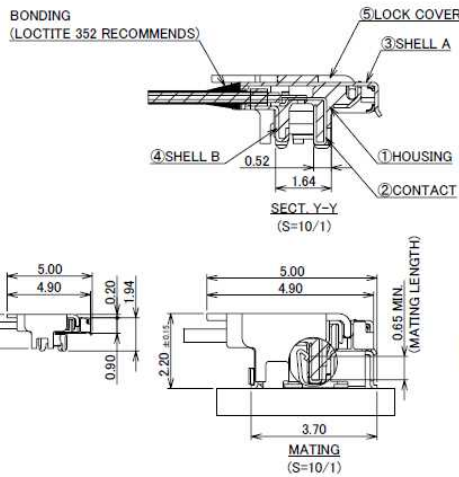
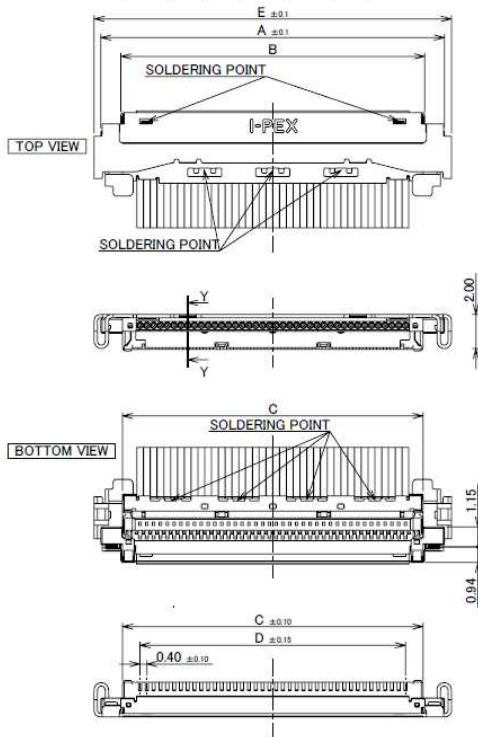
Component Parts



Plug for Cable Assembly

Recommended P/N		20877-0**T-01				
PART NO.	Pos.	A	B	C	D	E
20877-030T-01	30	16.20	13.85	13.65	11.60	17.00
20877-040T-01	40	20.20	17.85	17.65	15.60	21.00
20877-060T-01	60	28.20	25.85	25.65	23.60	29.00

With LOCK COVER

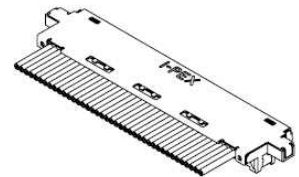
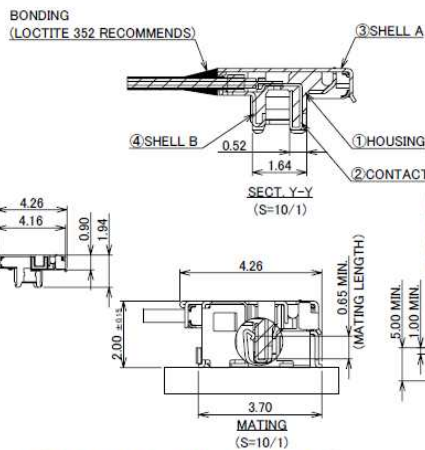
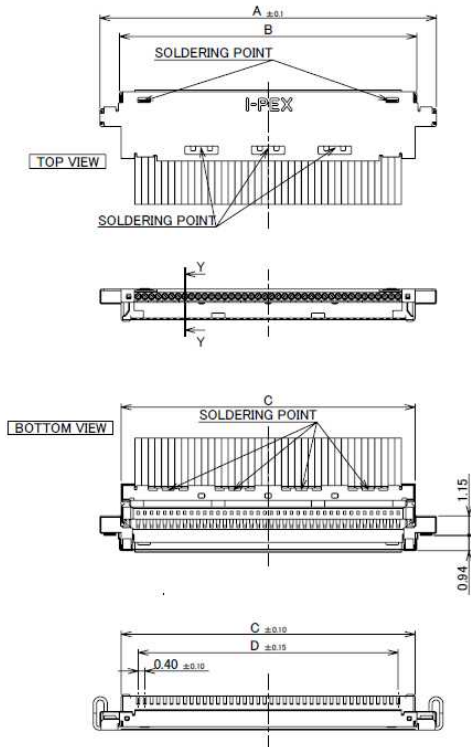


NO.	DISCRIPTION	MATERIAL	FINISH, REMARKS
5	LOCK COVER	PHOSPHOR BRONZE	ALL OVER Ni 1.0 μm MIN.
4	SHELL B	PHOSPHOR BRONZE	PARTIAL Au 0.003 μm MIN. OVER Ni 1.0 μm MIN.
3	SHELL A	PHOSPHOR BRONZE	PARTIAL Au 0.003 μm MIN. OVER Ni 1.0 μm MIN.
2	CONTACT	CORSON ALLOY	ALL OVER Ni 1.0 μm MIN. CONTACT & SOLDERING AREA : Au 0.03 μm MIN.
1	HOUSING	LCP	UL94V-0 .BLACK

Rev.10

Recommended P/N		20877-0**T-01			
PART NO.	Pos.	A	B	C	D
20877-030T-02	30	16.20	13.85	13.65	11.60
20877-040T-02	40	20.20	17.85	17.65	15.60
20877-060T-02	60	28.20	25.85	25.65	23.60

Without LOCK COVER



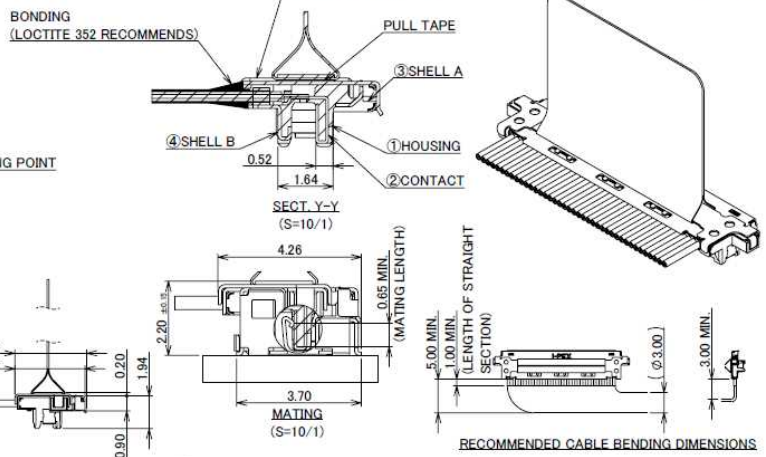
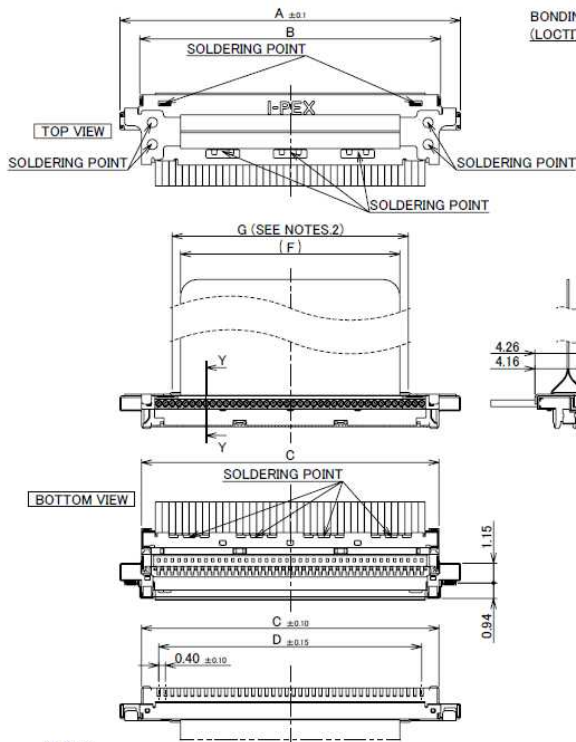
NO.	DISCRIPTION	MATERIAL	FINISH, REMARKS
4	SHELL B	PHOSPHOR BRONZE	PARTIAL Au 0.003 μm MIN. OVER Ni 1.0 μm MIN.
3	SHELL A	PHOSPHOR BRONZE	PARTIAL Au 0.003 μm MIN. OVER Ni 1.0 μm MIN.
2	CONTACT	CORSON ALLOY	ALL OVER Ni 1.0 μm MIN. CONTACT & SOLDERING AREA : Au 0.03 μm MIN.
1	HOUSING	LCP	UL94V-0 .BLACK

Rev.10

Plug for Cable Assembly

Recommended P/N		20877-0**T-01					
PART NO.	Pos.	A	B	C	D	F	G
20877-030T-03	30	16.20	13.85	13.65	11.60	9.00	10.00
20877-040T-03	40	20.20	17.85	17.65	15.60	13.00	14.00
20877-060T-03	60	28.20	25.85	25.65	23.60	21.00	22.00

With PULL TAPE HOLDER



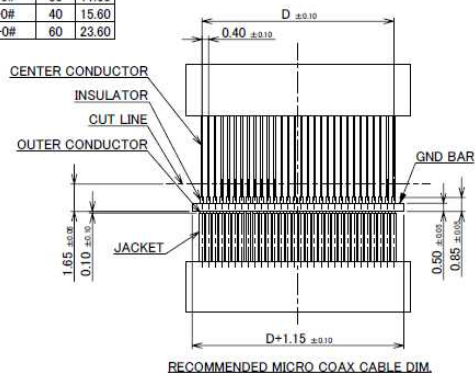
NO.	DISCRIPTION	MATERIAL	FINISH , REMARKS
5	PULL TAPE HOLDER	PHOSPHOR BRONZE	PARTIAL Au 0.003 μm MIN. OVER Ni 1.0 μm MIN.
4	SHELL B	PHOSPHOR BRONZE	PARTIAL Au 0.003 μm MIN. OVER Ni 1.0 μm MIN.
3	SHELL A	PHOSPHOR BRONZE	PARTIAL Au 0.003 μm MIN. OVER Ni 1.0 μm MIN.
2	CONTACT	CORSON ALLOY	ALL OVER Ni 1.0 μm MIN. CONTACT & SOLDERING AREA : Au 0.03 μm MIN.
1	HOUSING	LCP	UL94V-0, BLACK

NOTES.

- 1.RECOMMENDED PULL-TAPE
PULL-TAPE : TERAOKA'S INSULATION TAPE No.650S(#50) t=0.08
- 2.PULL-TAPE CAN BE PUT WITHIN THE RANGE OF "G" STRIAIGHT AREA.

Rev.10

PART NO.	Pos.	D
20877-030T-0#	30	11.60
20877-040T-0#	40	15.60
20877-060T-0#	60	23.60



CHARACTERISTIC IMPEDANCE MATCHING MICRO COAX CABLE

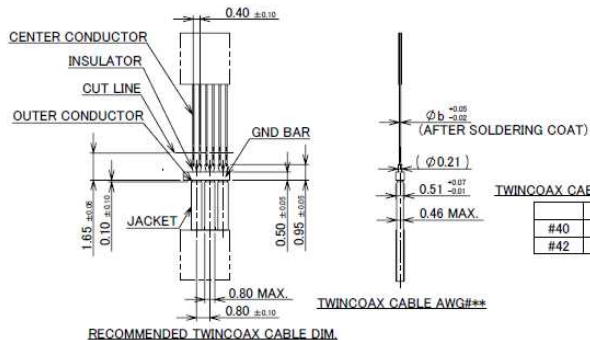
	a
#38	0.12
#40	0.09
#42	0.075
#44	0.063

CHARACTERISTIC IMPEDANCE UN-MATCHING MICRO COAX CABLE

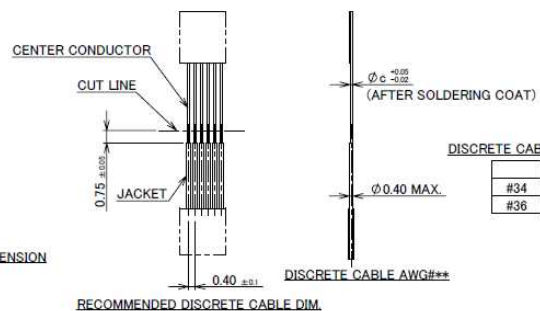
	a
#36	0.15

MICRO COAX CABLE #36 : NOT RECOMMENDED FOR HIGH SPEED SIGNAL TRANSFER

MICRO COAX CABLE AWG#**



	b
#40	0.09
#42	0.075



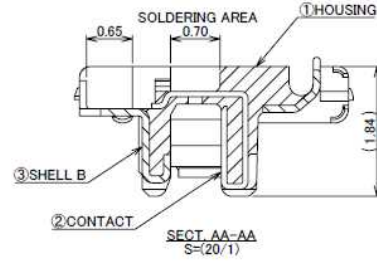
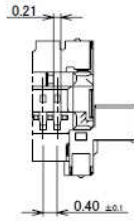
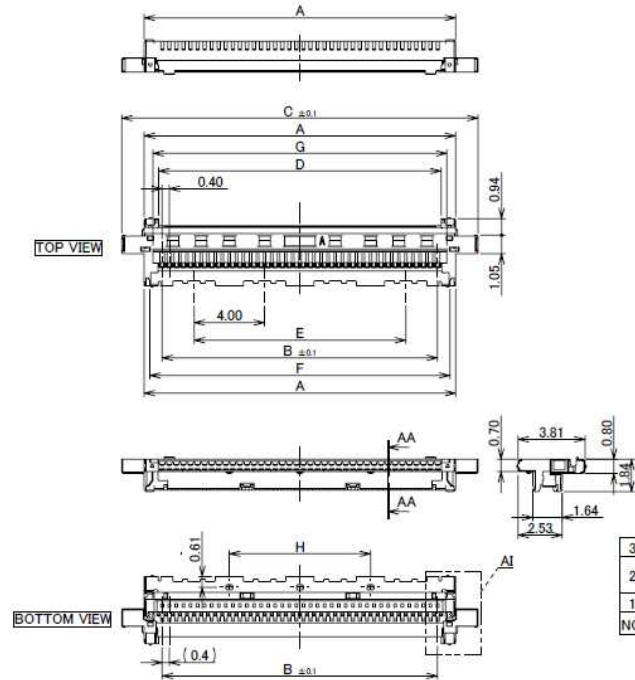
	c
#34	0.192
#36	0.15

Rev.10

Plug Housing Assembly

Recommended P/N 20878-0**T-01

PART No.	Pos.	A	B	C	D	E	F	G	H
20878-030T-01	30	13.65	11.60	16.20	12.01	8.00	13.00	12.65	4.0
20878-040T-01	40	17.65	15.80	20.20	16.01	12.00	17.00	16.65	8.0
20878-060T-01	60	25.65	23.60	28.20	24.01	20.00	25.00	24.65	16.00



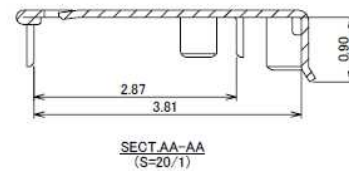
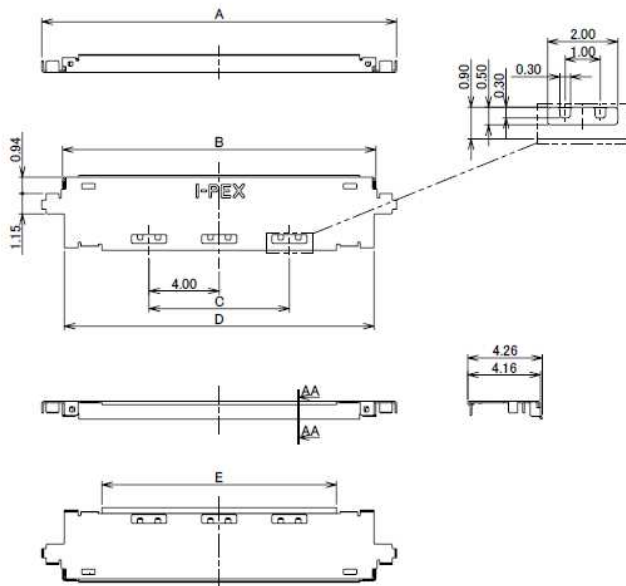
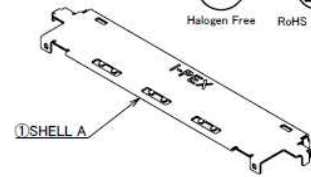
3	SHELL B	PHOSPHOR BRONZE	PARTIAL Au 0.003 μm MIN. OVER Ni 1.00 μm MIN.
2	CONTACT	CORSON ALLOY	ALL OVER Ni 1.00 μm MIN. CONTACT & SOLDERING AREA : Au 0.03 μm MIN.
1	HOUSING	LCP	UL94V-0. BLACK
NO.	DISCRIPTION	MATERIAL	FINISH , REMARKS

Rev.4

Plug Shell-A

Recommended P/N 3488-0**1

PART No.	Pos.	A	B	C	D	E
3488-0301	30	16.20	13.88	4.00	13.65	9.36
3488-0401	40	20.20	17.88	8.00	17.65	13.36
3488-0601	60	28.20	25.88	16.00	25.65	21.36

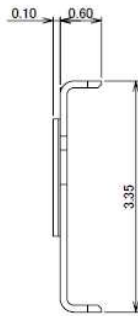
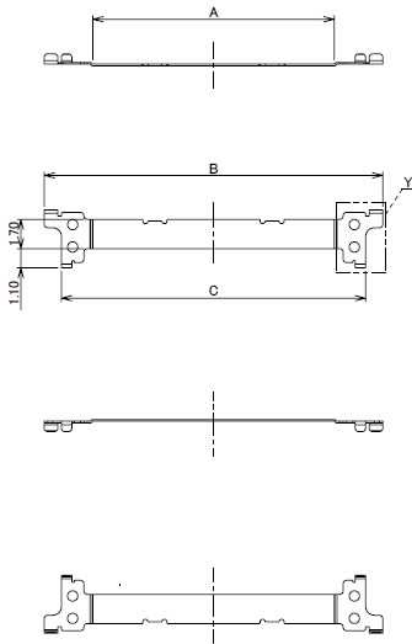


1	SHELL A	PHOSPHOR BRONZE	PARTIAL Au 0.003 μm MIN. OVER Ni 1.00 μm MIN.
NO.	DISCRIPTION	MATERIAL	FINISH , REMARKS

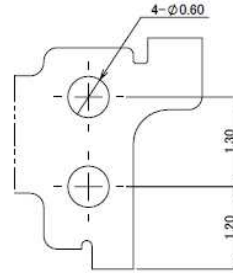
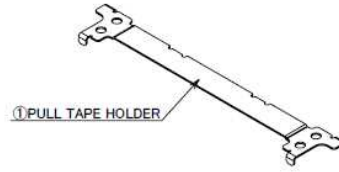
Rev.2

Plug Pull Tape Holder

Recommended P/N		3588-0**1		
PART NO.	Pos.	A	B	C
3588-0301	30	10.00	15.65	13.65
3588-0401	40	14.00	19.65	17.65
3588-0601	60	22.00	27.65	25.65



DETAIL X
(S=20 : 1)



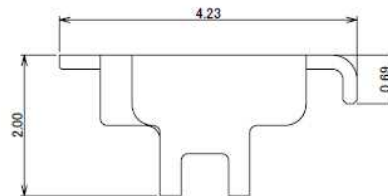
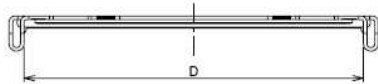
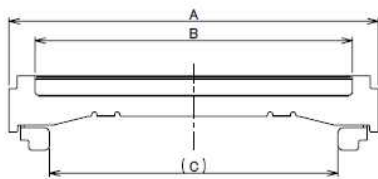
DETAIL Y
(S=20 : 1)

1	PULL TAPE HOLDER	PHOSPHOR BRONZE	PARTIAL Au 0.003 μ m MIN. OVER Ni 1.00 μ m MIN.
NO.	DISCRPTION	MATERIAL	FINISH , REMARKS

Rev.3

Lock Cover

Recommended P/N		3493-0**1			
PART NO.	Pos.	A	B	C	D
3493-0301	30	17.00	14.05	12.40	15.30
3493-0401	40	21.00	18.05	16.40	19.30
3493-0601	60	29.00	26.05	24.40	27.30



DETAIL X
(S=20 : 1)



1	LOCK COVER	PHOSPHOR BRONZE	ALL OVER Ni 1.00 μ m MIN.
NO.	DISCRPTION	MATERIAL	FINISH , REMARKS

Rev.3

Receptacle Assembly

Recommended P/N 20879-0**E-01

PART NO.	Pos.	A	B	C	D	E	F	G	H
20879-030E-01	30	15.27	13.01	11.60	9.60	12.07	12.88	15.27	13.65
20879-040E-01	40	19.27	17.01	15.60	14.40	16.07	16.88	19.27	17.65
20879-060E-01	60	27.27	25.01	23.60	21.60	24.07	24.88	27.27	25.65

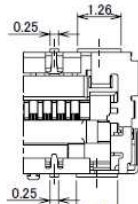
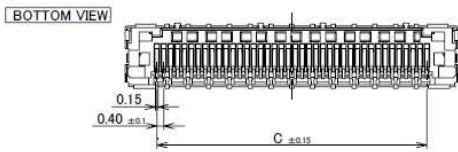
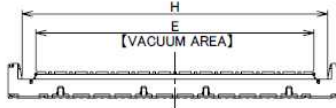
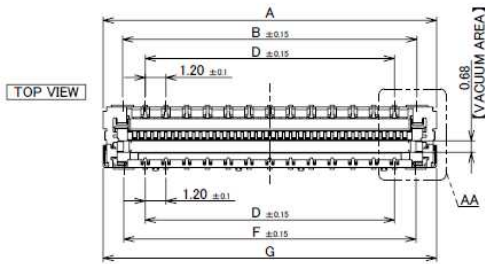
P/N : 20879-0**E-0#

- 1: NARROW GROUND PIN TYPE
 - 2: WIDER GROUND PIN TYPE
- Pos.

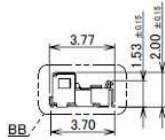
01 TYPE



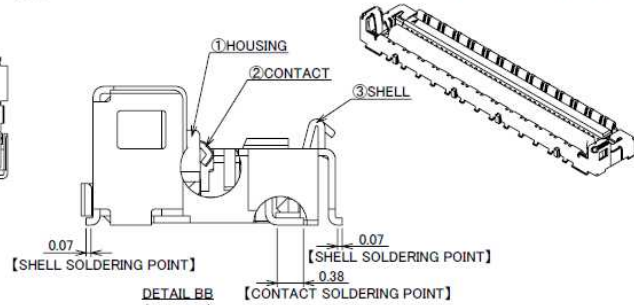
Halogen Free RoHS Compliant



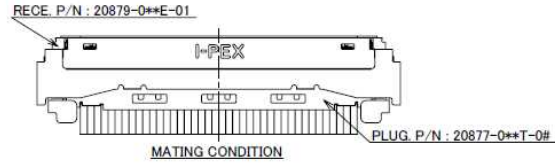
DETAIL AA
(S = 10 : 1)



DETAIL BB
(S = 20 : 1)



DETAIL BB
(S = 20 : 1)



NO.	DISCRIPTION	MATERIAL	FINISH , REMARKS
3	SHELL	PHOSPHOR BRONZE	ALL OVER : Ni 1.00 μm MIN. SOLDERING AREA : Au 0.02 μm MIN.
2	CONACT	CORSON ALLOY	ALL OVER : Ni 1.00 μm MIN. CONTACT & SOLDERING AREA : Au 0.03 μm MIN.
1	HOUSING	LCP	UL94V-0, BLACK

Rev.10

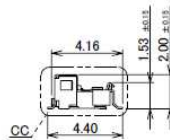
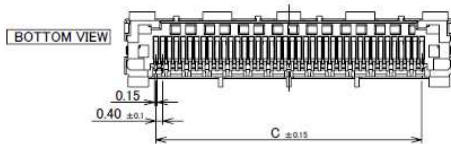
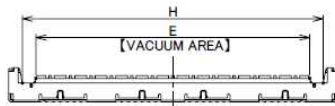
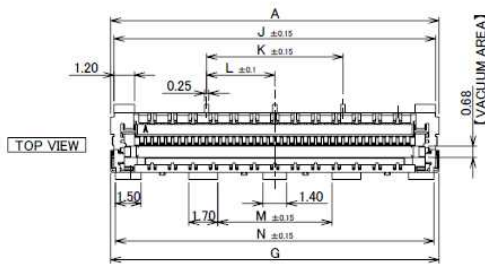
Recommended P/N 20879-0**E-01

PART NO.	Pos.	A	C	E	G	H	J	K	L	M	N
20879-030E-02	30	15.27	11.60	12.07	15.27	13.65	14.87	4.00	-	7.09	14.69
20879-040E-02	40	19.27	15.60	16.07	19.27	17.65	18.87	8.00	4.00	6.70	18.69
20879-060E-02	60	27.27	23.60	24.07	27.27	25.65	26.87	17.60	11.20	10.70	26.69

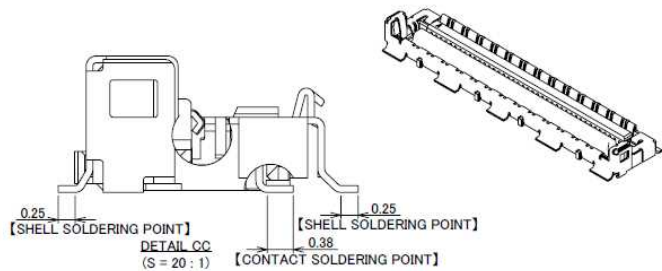
02 TYPE



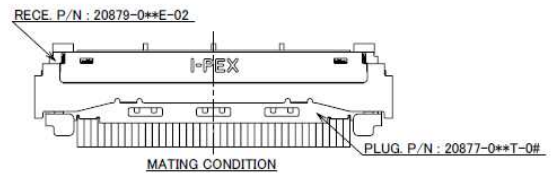
Halogen Free RoHS Compliant



DETAIL CC
(S = 20 : 1)



DETAIL CC
(S = 20 : 1)



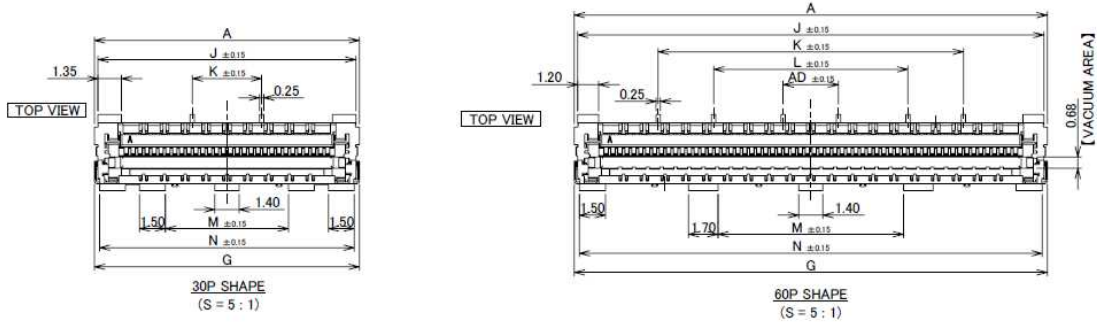
Rev.10

Receptacle Assembly

Recommended P/N 20879-0**E-01

PART NO.	Pos.	A	C	E	G	H	J	K	L	M	N	AD
20879-030E-02	30	15.27	11.60	12.07	15.27	13.65	14.87	4.00	-	7.09	14.69	-
20879-040E-02	40	19.27	15.60	16.07	19.27	17.65	18.87	8.00	4.00	6.70	18.69	-
20879-060E-02	60	27.27	23.60	24.07	27.27	25.65	26.87	17.60	11.20	10.70	26.69	3.20

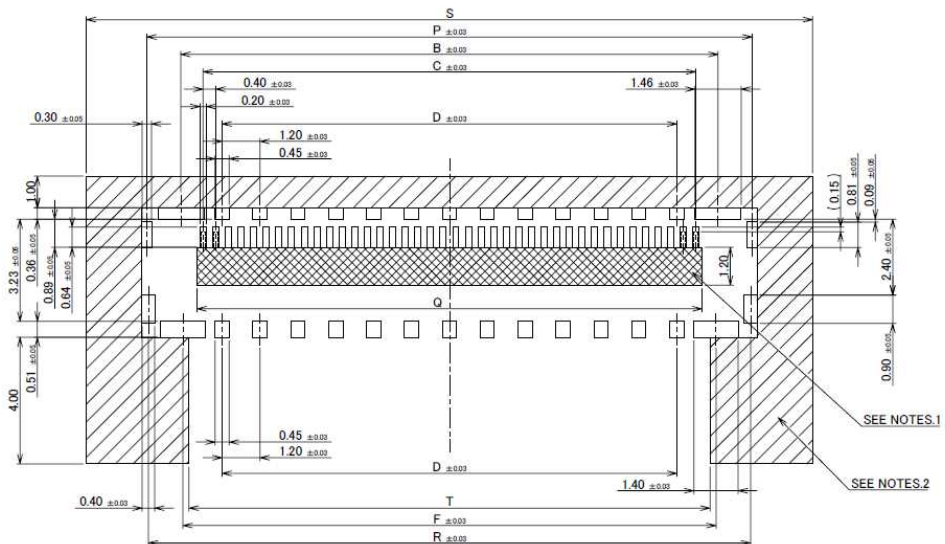
02 TYPE



Rev.10

PART No.	Pos.	B	C	D	F	P	Q	R	S	T
20879-030E-01	30	13.01	11.60	9.60	12.88	15.17	12.00	15.07	19.00	12.50
20879-040E-01	40	17.01	15.60	14.40	16.88	19.17	16.00	19.07	23.00	16.50
20879-060E-01	60	25.01	23.60	21.60	24.88	27.17	24.00	27.07	31.00	24.50

01 TYPE



01 TYPE RECOMMENDED PCB LAYOUT (S = 10 : 1)

NOTES.
1. SOLDER RESIST MUST BE APPLIED TO THIS AREA.
2. DO NOT MOUNT ANOTHER COMPONENT IN THIS AREA.

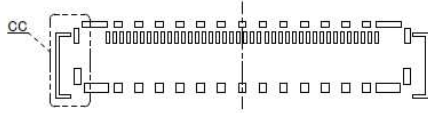
Rev.10

Receptacle Assembly

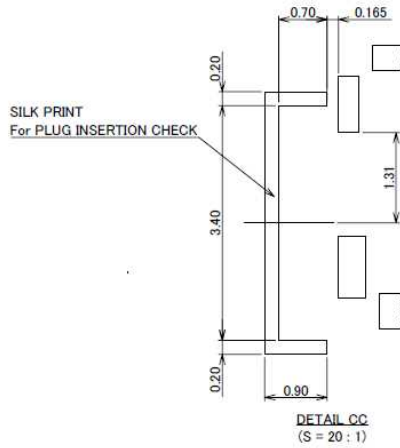
PART No.	Pos.
20879-030E-01	30
20879-040E-01	40
20879-060E-01	60

01 TYPE

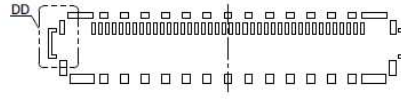
With LOCK COVER



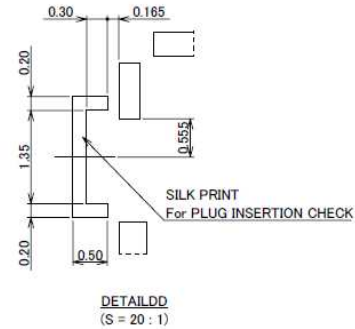
RECOMMENDED SILK PRINT For With LOCK COVER
(S = 5 : 1)



Without LOCK COVER & With PULL TAPE HOLDER



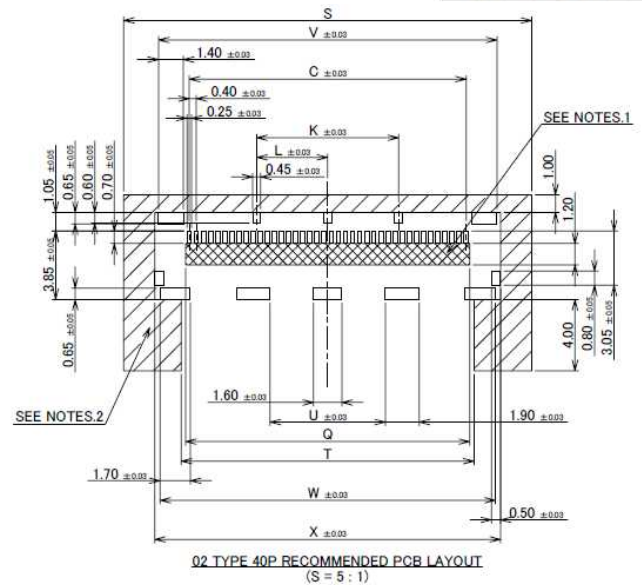
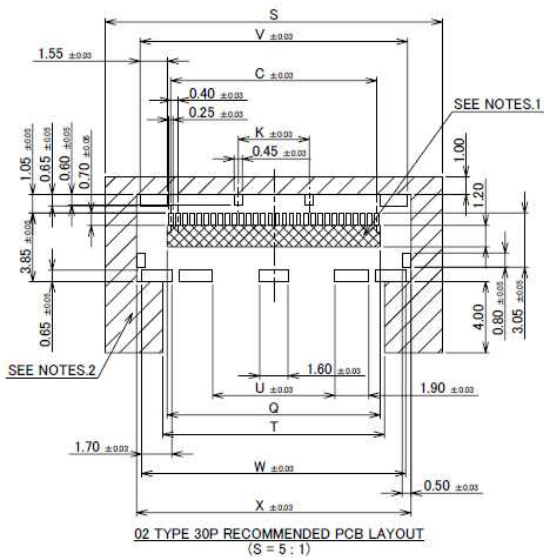
RECOMMENDED SILK PRINT For Without LOCK COVER
(S = 5 : 1)



Rev.10

PART No.	Pos.	C	K	L	Q	S	T	U	V	W	X
20879-030E-02	30	11.60	4.00	-	12.00	19.00	12.50	6.89	15.07	14.89	15.47
20879-040E-02	40	15.60	8.00	4.00	16.00	23.00	16.50	6.50	19.07	18.89	19.47
20879-060E-02	60	23.60	17.60	11.20	24.00	31.00	24.50	10.50	27.07	26.89	27.47

02 TYPE



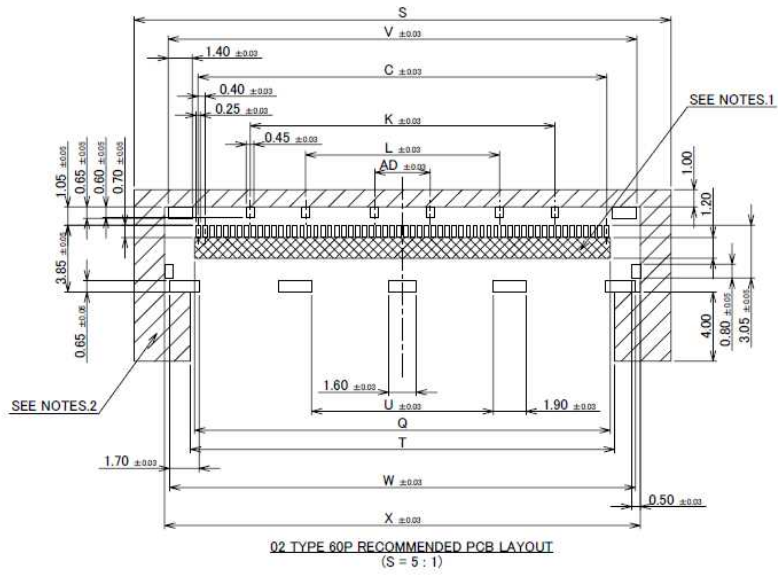
- NOTES
1. SOLDER RESIST MUST BE APPLIED TO THIS AREA.
2. DO NOT MOUNT ANOTHER COMPONENT IN THIS AREA.

Rev.10

Receptacle Assembly

PART No.	Pos.	C	K	L	Q	S	T	U	V	W	X	AD
20879-030E-02	30	11.60	4.00	-	12.00	19.00	12.50	6.89	15.07	14.89	15.47	-
20879-040E-02	40	15.60	8.00	4.00	16.00	23.00	16.50	6.50	19.07	18.89	19.47	-
20879-060E-02	60	23.60	17.60	11.20	24.00	31.00	24.50	10.50	27.07	26.89	27.47	3.20

02 TYPE

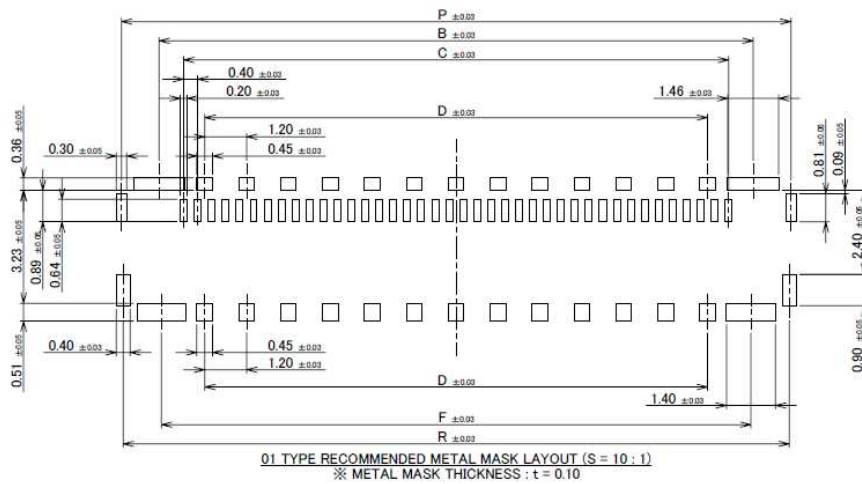


- NOTES.
 1. SOLDER RESIST MUST BE APPLIED TO THIS AREA.
 2. DO NOT MOUNT ANOTHER COMPONENT IN THIS AREA.

Rev.10

PART No.	Pos.	B	C	D	F	P	R
20879-030E-01	30	13.01	11.60	9.60	12.88	15.17	15.07
20879-040E-01	40	17.01	15.60	14.40	16.88	19.17	19.07
20879-060E-01	60	25.01	23.60	21.60	24.88	27.17	27.07

01 TYPE

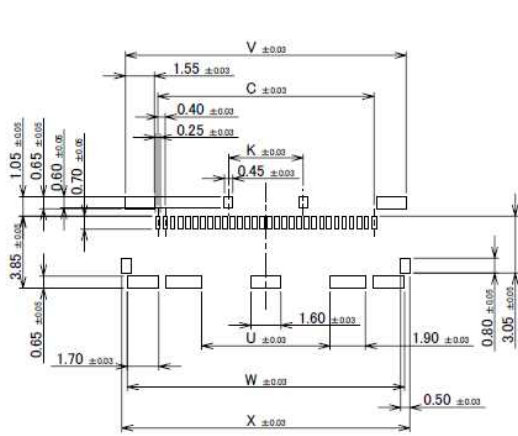


Rev.10

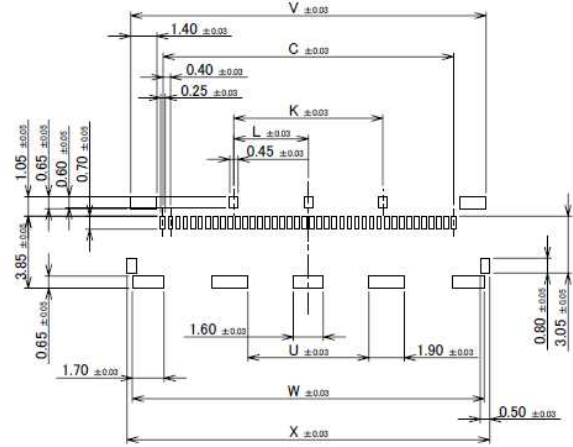
Receptacle Assembly

PART No.	Pos.	C	K	L	U	V	W	X
20879-030E-02	30	11.60	4.00	-	6.89	15.07	14.89	15.47
20879-040E-02	40	15.60	8.00	4.00	6.50	19.07	18.89	19.47
20879-060E-02	60	23.60	17.60	11.20	10.50	27.07	26.89	27.47

02 TYPE



02 TYPE 30P RECOMMENDED METAL MASK LAYOUT (S = 5 : 1)
※ METAL MASK THICKNESS : t = 0.12

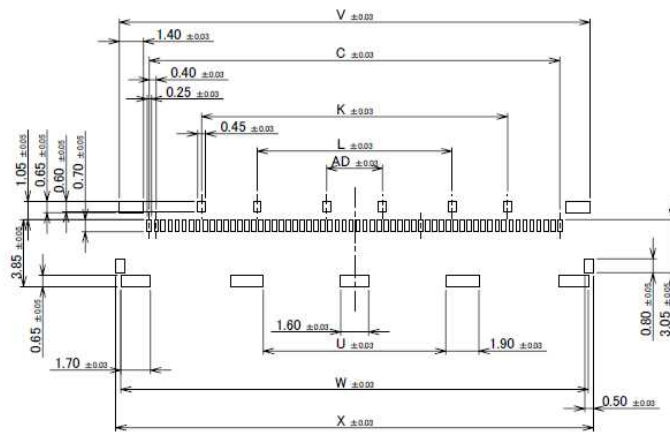


02 TYPE 40P RECOMMENDED METAL MASK LAYOUT (S = 5 : 1)
※ METAL MASK THICKNESS : t = 0.12

Rev.10

PART No.	Pos.	C	K	L	U	V	W	X	AD
20879-030E-02	30	11.60	4.00	-	6.89	15.07	14.89	15.47	-
20879-040E-02	40	15.60	8.00	4.00	6.50	19.07	18.89	19.47	-
20879-060E-02	60	23.60	17.60	11.20	10.50	27.07	26.89	27.47	3.20

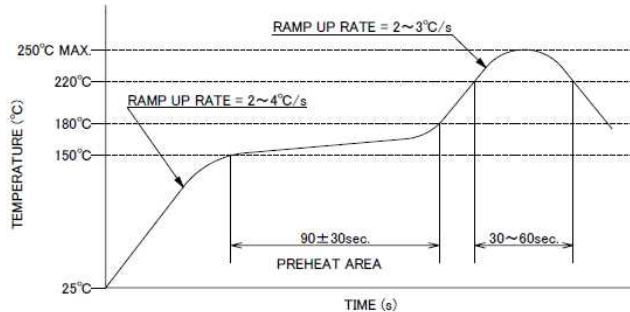
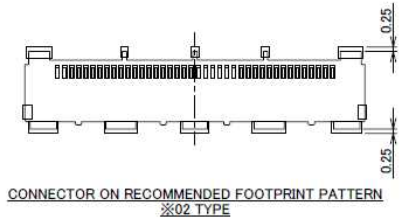
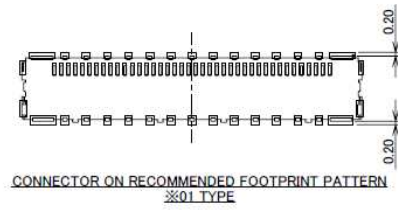
02 TYPE



02 TYPE 60P RECOMMENDED METAL MASK LAYOUT (S = 5 : 1)
※ METAL MASK THICKNESS : t = 0.12

Rev.10

Receptacle Assembly



REFLOW TEMPERATURE PROFILE
SENJU METAL INDUSTRY CO., LTD. : M705-SHF(Sn96.5 Ag3.0 Cu0.5)

Rev.10

ITEMS	SPECIFICATION
APPLICABLE CABLE	MICRO COAX : AWG# 44 , 42 , 40 , 38 , 36 DISCRETE : AWG# 36 , 34 TWINCOAX : AWG# 40 , 42
RATING VOLTAGE	100V AC (PER CONTACT PIN)
RATING AMPERAGE (FOR CONTACT)	0.15A AC/DC [AWG#44] PER CONTACT PIN/UP TO 60 CONTACTS 0.24A AC/DC [AWG#42] PER CONTACT PIN/UP TO 49 CONTACTS 0.3A AC/DC [AWG#40] PER CONTACT PIN/UP TO 38 CONTACTS 0.5A AC/DC [AWG#38] PER CONTACT PIN/UP TO 19 CONTACTS 0.8A AC/DC [AWG#36] PER CONTACT PIN/UP TO 12 CONTACTS 1.0A AC/DC [AWG#34] PER CONTACT PIN/UP TO 10 CONTACTS ※ TESTING BY A REAL MACHINE IS RECOMMENDED BECAUSE TEMPERATURE RISE MAY AFFECTED BY ACTUAL SITUATION.
OPERATING TEMPERATURE	233~378K(-40°C~+105°C)
OPERATING HUMIDITY	85% MAX.(NON-CONDENSING)
CONTACT RESISTANCE	INITIAL : 180mohm MAX.(AWG#34) / AFTER TEST : $\triangleleft 40\text{mohm MAX.}$ 275mohm MAX.(AWG#36) 360mohm MAX.(AWG#38) 600mohm MAX.(AWG#40) 700mohm MAX.(AWG#42) 1080mohm MAX.(AWG#44)
GROUND SHELL RESISTANCE	INITIAL : 50mohm MAX. / AFTER TEST : $\triangleleft 40\text{mohm MAX.}$
INSULATION RESISTANCE	INITIAL : 1000Mohm MIN. / AFTER TEST : 500Mohm MIN.
DIELECTRIC WITHSTANDING VOLTAGE	AC250V 1min
DURABILITY	30 CYCLES
MATING FORCE (INITIAL / AFTER TEST)	30P : 34.00N MAX. 60P : 52.00N MAX. 40P : 40.00N MAX.
UNMATING FORCE (INITIAL / AFTER TEST)	30P : 3.0N MIN. 60P : 6.0N MAX. 40P : 4.0N MIN.
CABLE RETENTION FORCE	30P : 14.70N MIN. 60P : 29.40N MAX. 40P : 19.80N MIN.
COPLANARITY	0.10 MAX.
PRODUCT SPECIFICATION	PRS-2514
TEST REPORT	TR-18067 (RECEPTACLE:20879-0**E-01) TR-18088 (RECEPTACLE:20879-0**E-02)
PACKING STANDARD	PST-18043
INSTRUCTION MANUAL	HIM-18033
ASSEMBLY MANUAL	ASM-18003
APPEARANCE CRITERIA No.	QLS-A***

Rev.10

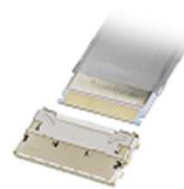
Board to Board



High-Density



Autolocking FPC/FFC



High-Density



FPC/FFC



Micro-Coaxial / Discrete Cable



High-Speed



RF



High-Frequency



Optical Module



High-Speed



Power



High-Power



I/O (Input/Output)



Quick charge



Effector



Custom Connectors Available

Inquiry



I-PEX, MHF, CABLINE, NOVASTACK, EVAFLEX, MINIFLEX, ISH, IARPB, IASLP, ESTORQ, ISFIT, i-Fit and ZenShield are registered trademarks of I-PEX Inc. Please note that the contents in the catalog might be changed without prior notification. I-PEX Inc. assumes no responsibility for any inaccuracies or obligation to update information on these documents. Please be sure to read and understand the latest "Precautions for Use" and "Instruction Manual" before you use our products. We shall not be responsible for any defects, damages or troubles in case you use our products without following the precautions for use. Please feel free to contact our sales representatives when you use our products for any applications that require very high reliability and safety, or that relate to human life (ex. nuclear power control, aerospace, transportation, medical equipment, safety equipment etc.).

Contact your sales representative or more detailed information.

www.i-pex.com



I-PEX

© I-PEX Inc. 2022
All rights reserved.