

?? Mapx	???? Modification	?? Date	???	?? Approve
△				

规格说明: Specifications:

电气特性: Electrical:

1. 额定电流: Current Rating
1.5A/contact terminal
2. 额定电压: Voltage Rating
30V DC
3. 接触阻抗: Contact Resistance
30 milliohms MAX
4. 耐电压: Dielectric Withstanding Voltage:
500 V AC AT Sea Level
5. 绝缘阻抗: Insulation Resistance:
1000MEGA ohms MIN

物理性能: Mechanical:

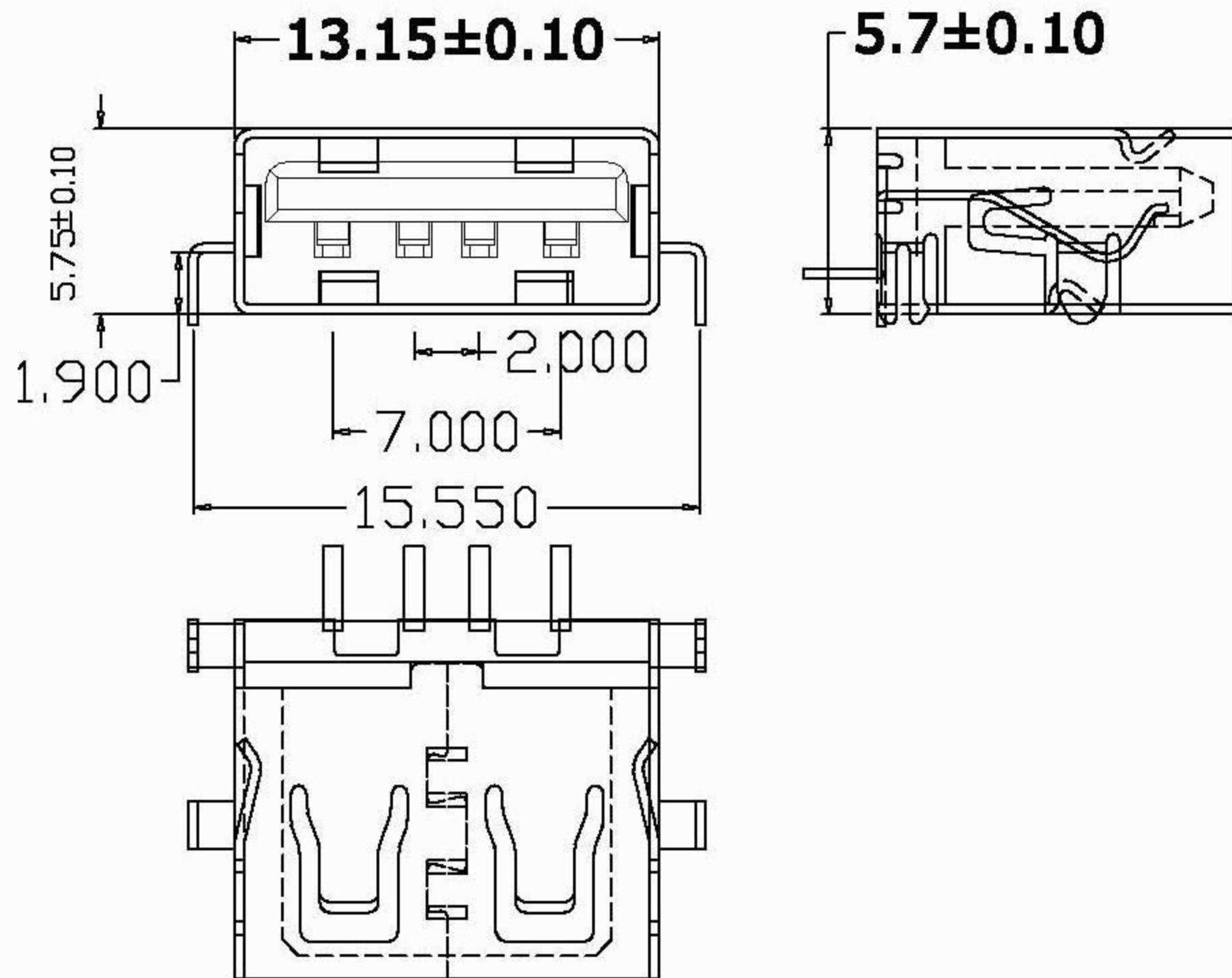
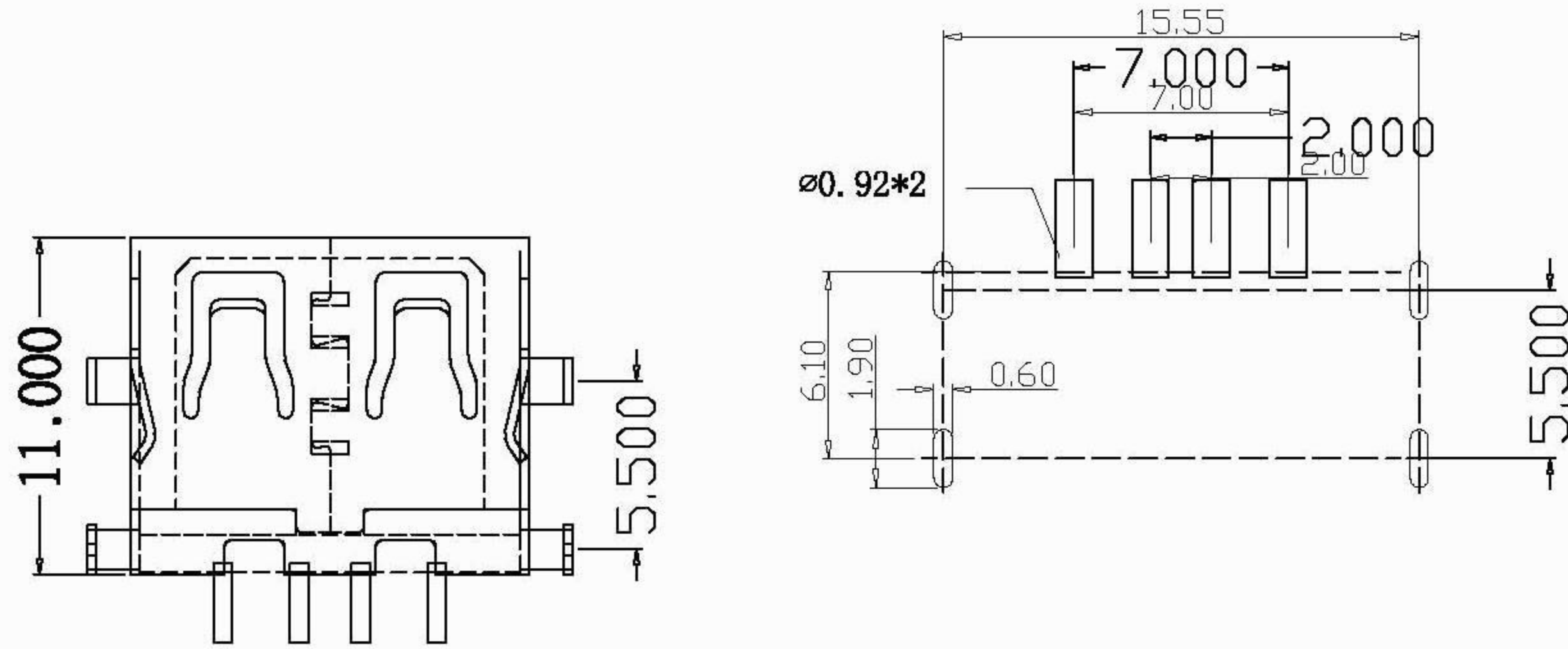
1. 插拔力: Connector Mate and Unmate Force
Mate force: 3.57kgf(MAX)
Unmate force: 1.02kgf(MIN)
2. 端子保持力: Terminal Retention
1.0kgf(MIN)

原材料: Material:

1. 塑胶: Housing:
Hing Temperature Thermoplastics,
2. 端子: Contact: Copper Alloy C2680
3. 外壳: Shell: Copper Alloy C2680/SPCC

电镀: Finish:

1. 端子: Contact: Plated Gold in Mating Area
Tin On Solder Talls
端子四周镀50U"(MIN)锡, 镀金区域镀100-200U"镀金1U"
2. 外壳: Shell:
铜壳四周镀80U"(MIN)锡
Nickel Plating



成品图 MANUFACTURE DWG		L&X 深圳市连欣科技有限公司							
公差一览表 TOLERANCE UNLESS OTHERWISE		?? DATE	DATE	UNIT MM	制图 DRAWING	图号 DWG NO.	?? CHECKED	?? APPROVE	?? XUBF-0411-0219
.X±0.15	X.±5°	?? DATE	CHECKED	SCALE 1:1	设计 DESIGN	JUFU	品名 NAME	?? APPROVE	USB AF短体沉板 1.9MM
.XX±0.05	.X±2°	?? DATE	APPROVE	角法 VIEW	??		版本 VER	?? APPROVE	VER 页数 SHEET PG1
.XXX±0.02	.XX±1°	?? DATE							