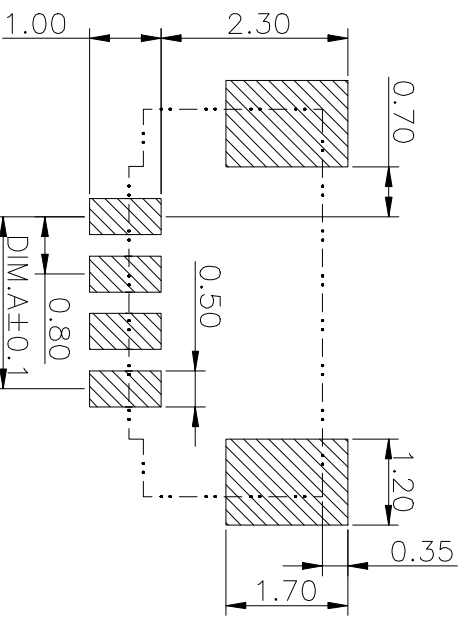
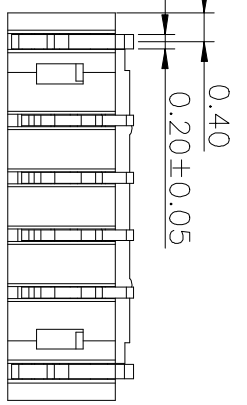
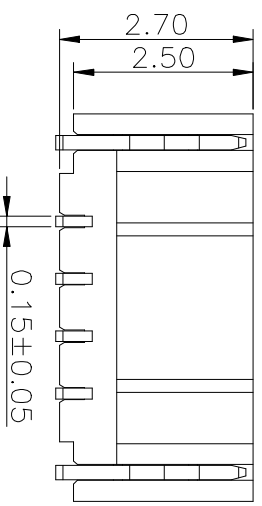
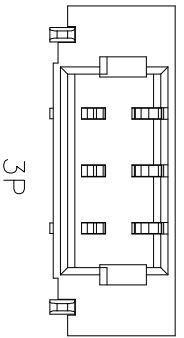
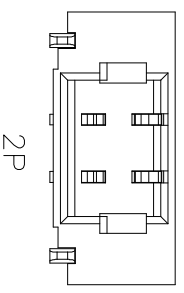


SPECIFICATIONS
 Current Rating: 0.5A AC,DC
 Voltage Rating: 30V AC,DC
 Temperature Range: -25°C ~ +85°C
 Contact Resistance: 20mΩ Max.
 Insulation Resistance: 100MΩ Min.
 Withstanding Voltage: 200V AC/minute
 Pin Material: Phosphor Bronze/Gold Flash
 Solder Tabs: Phosphor Bronze/Gold Flash
 Material:
 Wafer: LCP, UL94V-0
 Color: Natural(Beige)



PCB Layout



Part No.	Dimensions	
	A	B
A0800WR-S-02P	0.80	3.80
A0800WR-S-03P	1.60	4.60
A0800WR-S-04P	2.40	5.40
A0800WR-S-05P	3.20	6.20
A0800WR-S-06P	4.00	7.00
A0800WR-S-08P	5.60	8.60
A0800WR-S-10P	7.20	10.20
A0800WR-S-14P	10.40	13.40
A0800WR-S-20P	15.20	18.20

深圳市连欣科技有限公司

REV.	A1	R/√分开面	2019.09.15	2019.08.31	NEW RELEASE	DESCRIPTION
REV.	A0	NEW RELEASE	2019.08.31			
UNIT: mm SCALE: 1 of 1 SHEET: 1 DRAWN BY: APPROVED BY: 2019.09.15 GENERAL TOLERANCE: X.X±0.25 ANGLE± X.XX±0.13 X.XXX±0.05						
TITLE: 0.80mm PITCH 90° WAFER SMT TYPE PART NO.: XDWFA0800WR-S-04P REV. A1						