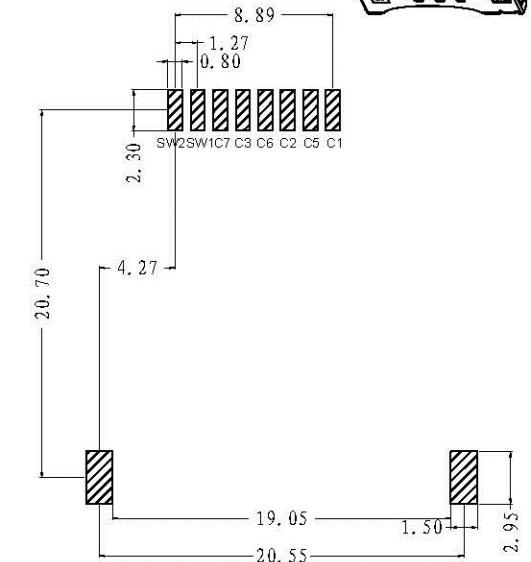
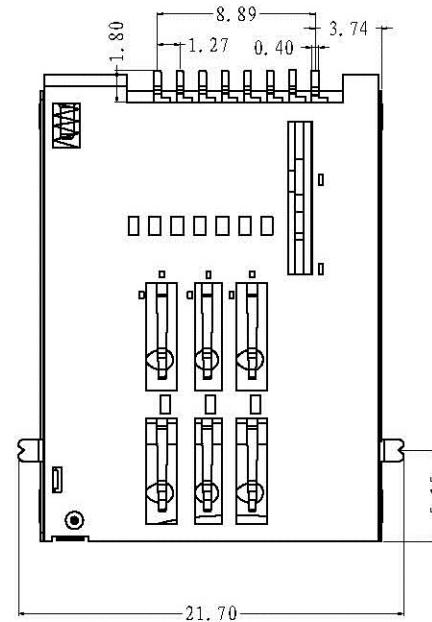
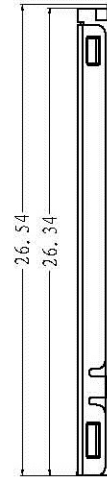
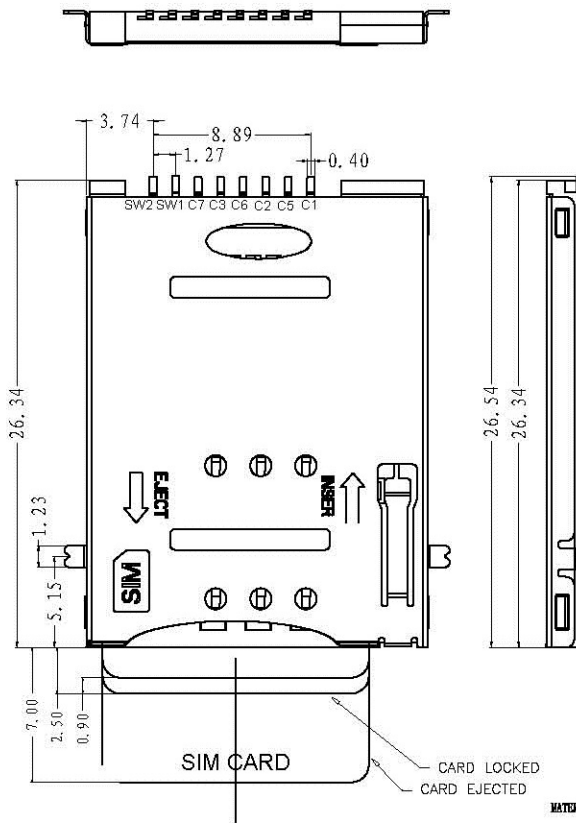
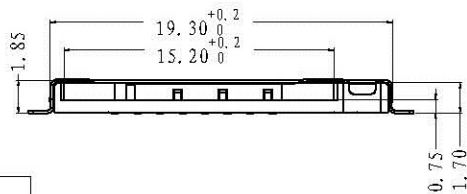


* 所有原料材质, 生产制程, 电镀必须符合ROHS要求



RECOMMENDED PCB LAYOUT
GENERAL TOLERANCE ±0.05

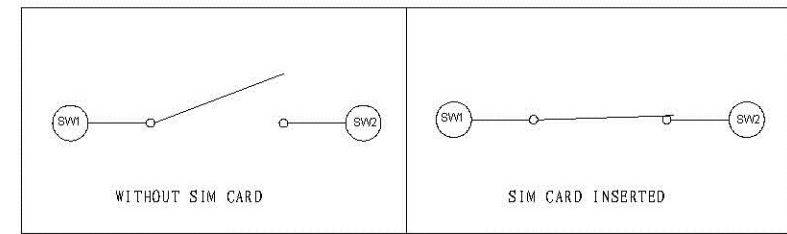


Specification

MATERIAL:
Insulator: High Temperature Thermoplastic,
UL 94V-0 COLOR:BLACK LCP
(颜色:黑色LCP, 防火等级:UL 94V-0)
Contact: Copper Alloy

PLATING:
Contact: Plated 50u" Ni Overall
Plated Au Selective Contact Area
Plated 100u" Sn Over Ni On Solder Area
(接触端子电镀: 全部镀层50u, 接触区域10u金, 焊脚处厚60u/最少)
Shell: Plated 50u" Ni Overall
Plated 1u" Au Selective Contact Area
(外壳电镀: 镀层60u, 焊接处10u金)

Electrical:
Current Rating :0.5amps max(额定电流:0.5A最大)
Voltage Rating :5V AC/DC(额定电压:5V AC/DC)
Ambient Temperature Range :-20° C~+60° C(工作温度: -20度到+60度)
Storage Temperature Range :-40° C~+80° C(工作环境: -40度到+80度)
Ambient Humidity Range :95% R.H. Max. (上限湿度: 95%以上)
Contact Resistance:100mΩmax. (端子接触电阻: 100mΩ最大)
Insulation Resistance:1000MΩmin./500VDC(绝缘电阻: 100兆欧最小)
Mating Cycles:6,000 Insertions(寿命: 6000次)
产品耐温程度: 260° C



SIM pin assignment	
PIN#	Name
C1	VCC 电压
C2	RST 重置
C3	CLK 时钟
C5	GND 接地
C6	VPP 电压
C7	I/O 输入输出

REVISION NO.	ECR NO.	DESCRIPTION	MARK	DATE
1				
2				
3				

连欣科技 Lian Xin Technology		深圳市连欣科技有限公司 Shenzhen City Lianxin Technology Co., Ltd	
SCALE: 1:1 DWG ID: P D REV.: A PAGE: 1 OF 1			