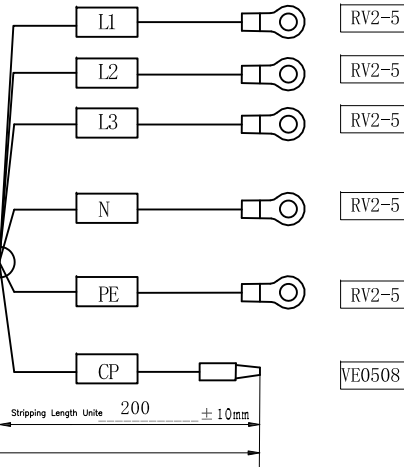
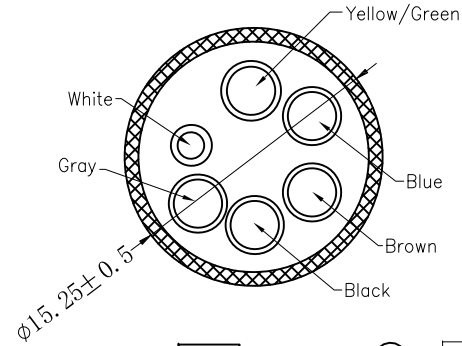
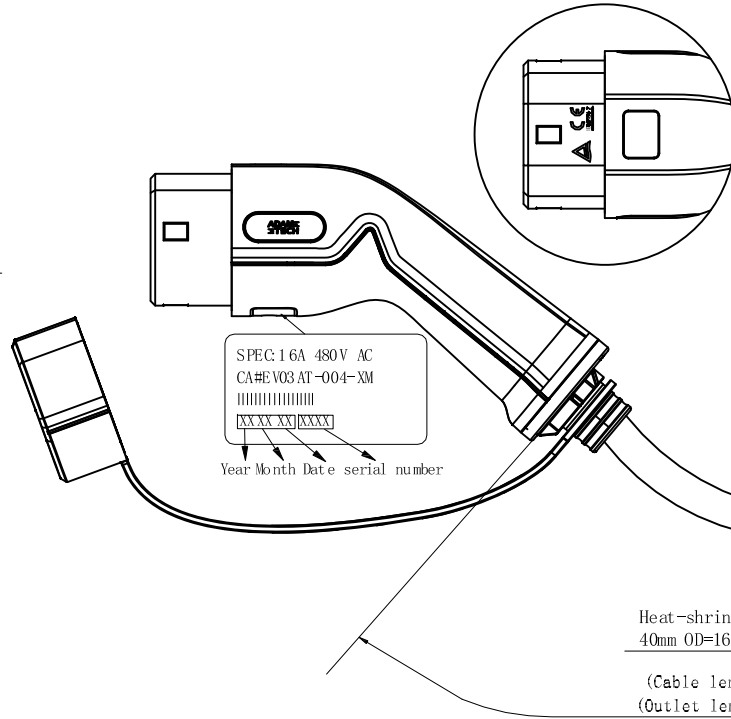
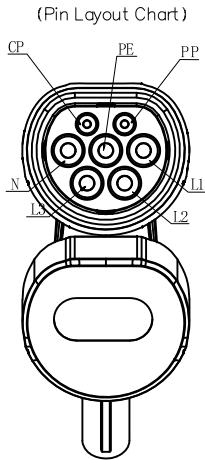


APPROVED: _____
 DATE: _____ TITLE: _____

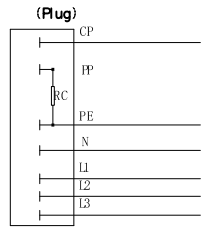
| Rev | AWO # | Description | Date | Appr |
|-----|-------|----------------|---------|-------|
| - | | RELEASED | 5/6/20 | |
| A | | UPDATE DRAWING | 4/6/22 | LH/AC |
| B | | UPDATE DRAWING | 6/27/22 | LH/AC |



Heat-shrinkable tubing
 40mm OD=16.8±1mm
 (Cable length)3000±30mm
 (Outlet length)2800±30mm

Stripping Length Units 200 ±10mm

(Method of connecting wire)



| Function | (Color) | Area |
|----------|----------------|--------------------|
| CP | (White) | 0.5mm ² |
| PP | | |
| PE | (Yellow-Green) | 2.5mm ² |
| N | (Blue) | 2.5mm ² |
| L1 | (Brown) | 2.5mm ² |
| L2 | (Black) | 2.5mm ² |
| L3 | (Gray) | 2.5mm ² |

Remark:
 RC-881-0

| ADAM TECH P/N | LENGTH |
|-------------------|---------------|
| CA #EV03AT-004-3M | 3,000mm ±30mm |
| CA #EV03AT-004-5M | 5,000mm ±30mm |

SPECIFICATIONS:

Material:
 Insulator: PC+PA66, Glass reinforced, Thermoplastic, rated UL 94V-0
 Insulator color: White
 Contacts: Copper Alloy, Silver plated surface
 Electrical:
 Current rating: 16A
 Voltage rating: 480 VAC
 Contact Impedance: 0.5 mohms max
 Insulation resistance: 5M Ω min, DC 500V
 Dielectric withstanding voltage: 2,000V
 Mechanical:
 Mechanical life: unloaded plugged: >10,000
 Insertion and Extraction Force: <100N
 Temperature Rating:
 Operating temperature: -30°C to +50°C
 Environmental:
 Waterproof grade: IP54
 Lead free, RoHS compliant



⚠ Charging plug: according to IEC62196-1 2014, IEC62196-2 2017 standard
 Charging cable: 5x2.5mm²+1x0.5mm² (outer leather material TPE)

| | | | | | |
|---|----|-----------------------------------|-------------------|---|--|
| UNLESS OTHERWISE SPECIFIED ALL DIMENSIONS ARE MILLIMETERS TOLERANCES: EXCEPT AS NOTED | | ADAM TECH INTERCONNECTS | | 909 Rahway Avenue, Union, NJ 07083 Phone: 908-687-5000 Fax: 908-687-5710 | |
| APPROVALS | | DATE | | TITLE | |
| DRAWN | OW | 5/6/20 | | CABLE ASSEMBLY EV CHARGER | |
| CHECKED | AC | 5/6/20 | | TYPE 2 FEMALE PLUG 16A 3PHASE 2.5MM ² TUV | |
| APPROVED | | SIZE | PART NO. | REV. | |
| | | X | CA #EV03AT-004-XM | B | |
| REF: - | | SCALE: NTS | SHEET 1 OF 1 | | |