

Product Information – RJ45 Patch Cord Cat.6 Ultraflex500 VoIP AWG 26



Product specification

Tired of bulky patch cables with preferred directions? Right, left, top, bottom are a thing of the past. The new Ultraflex500 patch cord has an extremely short moulded nozzle which allows you to achieve a bent cord of just over 30 mm length including the plug. This highly flexible plug is robust and gives you more freedom in small areas such as VoIP terminals, cameras, W-LAN hotspots and other tight installation situations.

Advantages over standard patch cords

- > the optimum solution when there is a lack of space
- > possible bending radius of up to 10mm
- > moulded anti-kink sleeve
- > significantly longer service life than standard patch cords
- > up to 8500 trouble-free motion cycles under load
- > especially suitable for VoIP terminals, cameras, W-LAN hotspots

Applications

- > offices
- > media technology
- > cabling in data centres
- > especially suitable for IoT and IIoT

RJ45 Patch Cord Cat.6 Ultraflex500 VoIP AWG 26



No space – the solution!

Ultraflex500 patch cords - with excellent transmission values in Class EA total channel.

- > the optimum solution when there is a lack of space
- > moulded anti-kink sleeve
- > especially suitable for VoIP terminals, cameras, WLAN hotspots
- > significantly longer service life than standard patch cords
- > up to 8500 trouble-free motion cycles under load
- > especially suitable for shielded and unshielded Class E_A systems
- > fully shielded Cat.6 patch cords AWG 26/7
- > two shielded RJ45 connectors, 1:1 assignment
- > cable type: S/FTP 4 x 2 x AWG 26/7 PIMF
- > cable sheath: LSHF(LSOH), halogen-free
- > Class E_A link up to 500MHz according to ISO/IEC 11801-1, DIN EN 50173-1
- > suitable for 10Gbit Ethernet (IEEE 802.3an),
- > suitable for Remote Powering (PoE, PoE plus and UPoE) and HDBaseT
- > possible bending radius of up to 10mm
- > available in black and white
- > 100% testing in production for crimp heights and compliance with HF performance

Technical Data

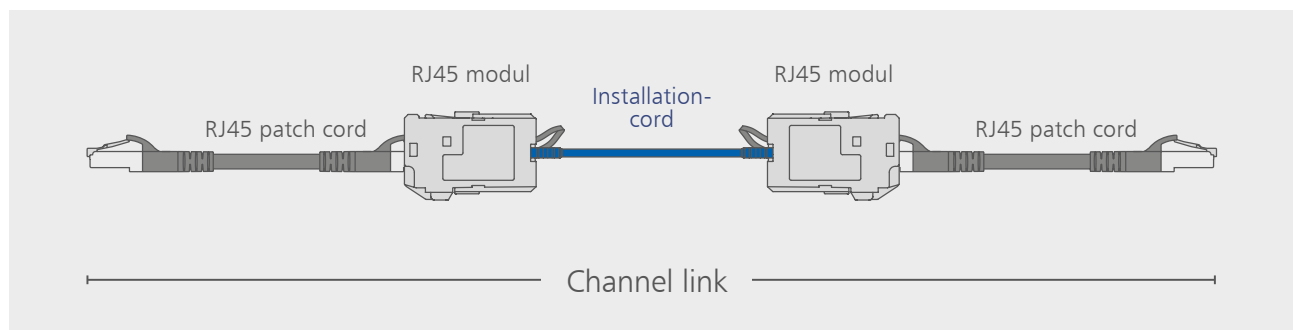
GENERAL DATA

Applications	offices, media technology, data centres
Type	patch cord
Shielding	shielded
Transmission technology	copper
Cable type	S/FTP

TRANSMISSION CHARACTERISTICS

Category (ISO)	6
Class (ISO/IEC) - Channel	E _A (see fig. Link model)
Category (TIA)	6
Remote Powering	yes
PoE	IEEE 802.3af
PoE plus	IEEE 802.3at
UPoE	yes
Transmission speed up to 10 GBit	IEEE 802.3an
Connection technology interface 1	RJ45 plug
Connection technology interface 2	RJ45 plug
Number of ports interface 1	1
Number of ports interface 2	1

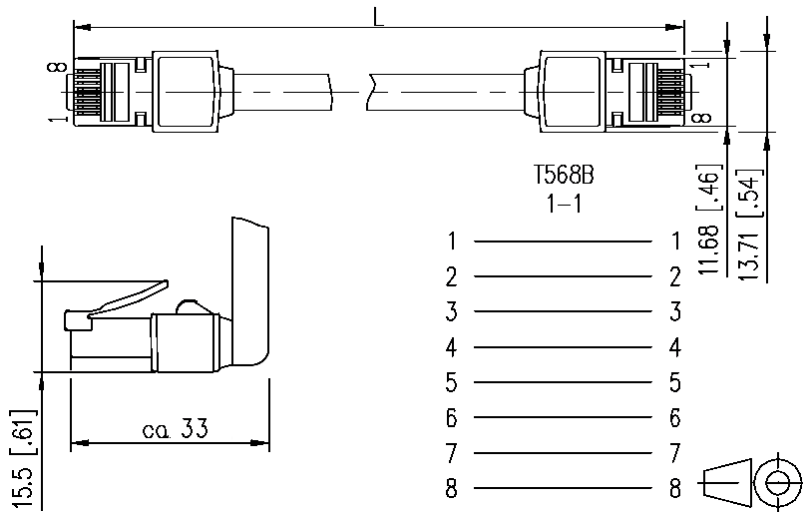
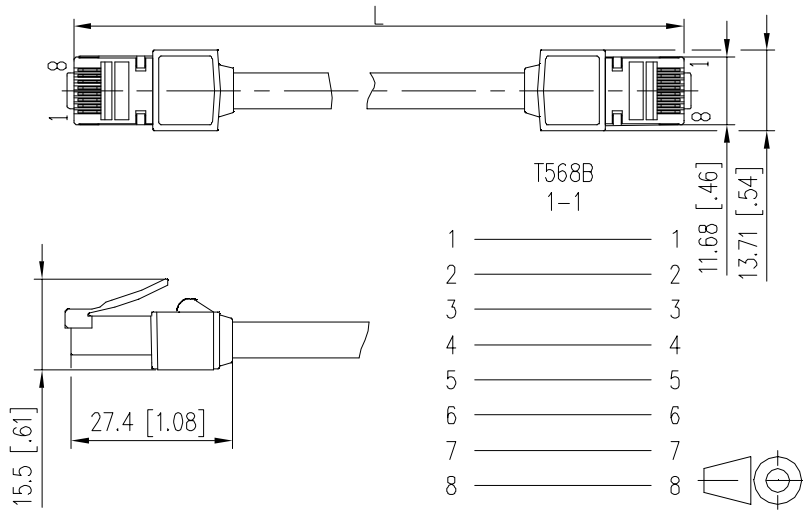
Link model



Technical Data

Connections / interfaces	Termination data, stranded wire	(min. - max.)
	Conductor cross-section, stranded wire (bare copper)	AWG 26/7
Mechanical characteristics	Bending radius without load	10 mm
	Bending radius without load	0,394 in.
Materials and material properties	Material - Cable sheath	LSHF (LSOH)
	Halogen - free	ja
Environmental conditions Temperature (min. - max.)	Temperature - Storage °C	-40 - 70 °C
	Temperature - Storage °F	-40 - 158 °F
	Temperature - Operating °C	-40 - 70 °C
	Temperature - Operating °F	-40 - 158 °F
	Temperature - Installation °C	0 - 50 °C
	Temperature - Installation °F	32 - 122 °F
Transmission characteristics	RoHs	compliant
Materials and material properties	Universal building cabling	
	General Requirements	ISO/IEC 11801-1 DIN EN 50173-1 ANSI/TIA 568.2-D
	Specification for testing symmetric and coaxial information technology cabling	
	Cords in accordance with ISO/IEC 11801 and corresponding standards	IEC 61935-2

Dimensional drawing

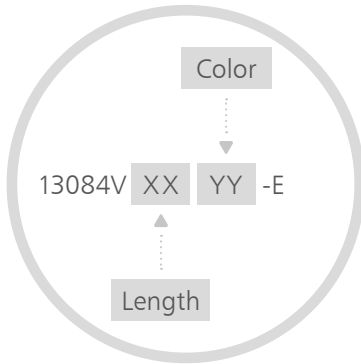


Ordering information

	CORD COLOR/SLEEVE COLOR	LENGTH/M	P/N	EAN
 black/black		0.5	13084V0500-E	4251394617206
		1	13084V1000-E	4251394617213
		1.5	13084V1500-E	4251394617220
		2	13084V2000-E	4251394617237
		3	13084V3000-E	4251394617244
		5	13084V5000-E	4251394617251
		7.5	13084V7500-E	4251394617268
		10	13084VA000-E	4251394617275
		15	13084VA500-E	4251394617282
		20	13084VB000-E	4251394617299
 white/white		0.3	13084V0388-E	4251394614038
		0.5	13084V0588-E	4251122199776
		1	13084V1088-E	4251122199783
		1.5	13084V1588-E	4251394610658
		2	13084V2088-E	4251122199790
		3	13084V3088-E	4251122199806
		5	13084V5088-E	4251122199813
		7.5	13084V7588-E	4251394610665
		10	13084VA088-E	4251122199820
		15	13084VA588-E	4251122199837
	20	13084VB088-E	4251394610672	
 gray/gray		0.3	13084V0333-E	4251394634579
		0.5	13084V0533-E	4251394634586
		1	13084V1033-E	4251394634593
		1.5	13084V1533-E	4251394634609
		2	13084V2033-E	4251394634616
		3	13084V3033-E	4251394634623
		5	13084V5033-E	4251394634630
		7.5	13084V7533-E	4251394634647
	10	13084VA033-E	4251394634654	

Ordering information

Number KEY for further lengths and colors



XX = Length

03 = 0.3 m
05 = 0.5 m
10 = 1.0 m
15 = 1.5 m
20 = 2.0 m
30 = 3.0 m
50 = 5.0 m
75 = 7.5 m
A0 = 10.0 m
B0 = 20.0 m

YY = Color

00 = black
33 = gray
88 = white



We realize ideas

METZ CONNECT GmbH

Im Tal 2
78176 Blumberg
Germany

Phone +49 7702 533-0
Fax +49 7702 533-189

info@metz-connect.com
www.metz-connect.com

METZ CONNECT USA Inc.

200 Tornillo Way
Tinton Falls, NJ 07712
USA

Phone +1-732-389-1300
Fax +1-732-389-9066

METZ CONNECT France SAS

28, Rue Schweighaeuser
67000 Strasbourg
France

Phone +33 3886 17073
Fax +33 3886 19473

METZ CONNECT AUSTRIA GmbH
c/o German chamber of commerce
in Austria

Schwarzenbergplatz 5, Top 3/1
1030 Vienna
Austria

Phone +43 1 227 12 64
Fax +43 1 227 12 66

METZ CONNECT Zhongshan Ltd.

Ping Chang Road
Ping Pu Industrial Park
Sanxiang Town
Zhongshan City, 528463
Guangdong Province
China

Phone +86 760 86365 055
Fax +86 760 86365 050

METZ CONNECT Asia Pacific Ltd.

Suite 1803, 18/F
Chinachem Hollywood Centre,
1 Hollywood Road, Central
Hong Kong

Phone +852 26 027 300
Fax +852 27 257 522

