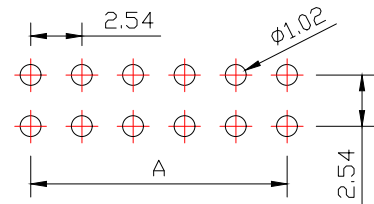
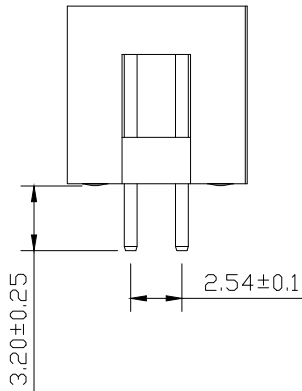
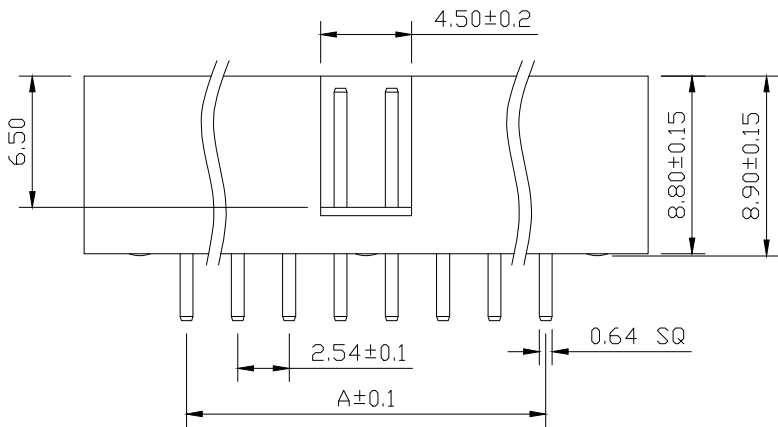
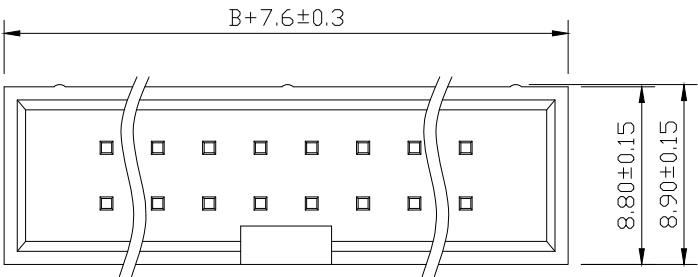


# SPECIFICATIONS

Current Rating: 3Amps  
 Insulation Resistance: 1000MΩ Min  
 Contact Resistance: 20mΩ Max  
 Withstanding Voltage: AC 1000V  
 Operation Temperature: -40° to +105°  
 Contact Material: Brass  
 Insulator Material: Polyester (UL 94V-0)  
 Contact plating: Gold Flash  
 Standard: PA6T  
 Max. Processing Temp: 240° C for 30-60 seconds  
 (260° C for 10 seconds)



RECOMMEND P. C. B LAYOUT  
 PCB TOLERANCE: ±0.05 (TOP VIEW)



No. of	DIM. A	DIM. B	No. of	DIM. A	DIM. B	No. of	DIM. A	DIM. B
6	5.08	7.62	20	22.86	25.40	36	43.18	45.72
8	7.62	10.16	24	27.94	30.48	40	48.26	50.80
10	10.16	12.70	26	30.48	33.02	44	53.34	55.88
12	12.70	15.24	28	33.02	35.56	50	60.96	63.50
14	15.24	17.78	30	35.56	38.10	60	73.66	76.20
16	17.78	20.32	32	38.10	40.64	64	78.74	81.28
18	20.32	22.86	34	40.64	43.18			

UNLESS OTHERWISE SPECIFIED TOLERANCE  
 X : ±0.30 X° : ±5°  
 X.X : ±0.25 X.X° : ±1°  
 X.XX : ±0.20 X.XX° : ±0.5°

DRAWN NAME: 2.54DC3-NPin H8.9 180度 PC3.2 L11.5 6T

SIZE	A4	SCALE	N:1	PROUCT NO.	BX-1DC2.54-2-8PZZ			
REV	A	UNIT	mm	PROJECT		PAGE	1/1	

CHECKED: / / APPROVED: / /

THESE DRAWINGS AND SPECIFICATIONS ARE THE PROPERTY OF SHENZHEN YIXINYING TECHNOLOGY CO., LTD AND SHALL NOT BE REPRODUCED, COPIED OR USED IN ANY MANNER WITHOUT THE PRIOR WRITTEN CONSENT OF SHENAHEN YIXINYING TECHNOLOGY CO., LTD