

标记 MARK.	更改内容 MODIFICATION	日期 DATE	修改 DRAW	核准 APPROVE

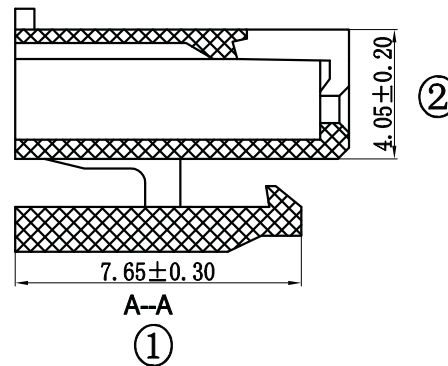
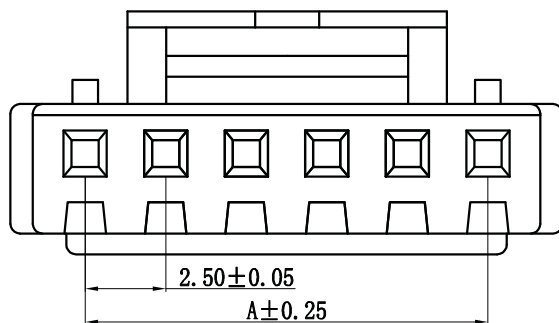
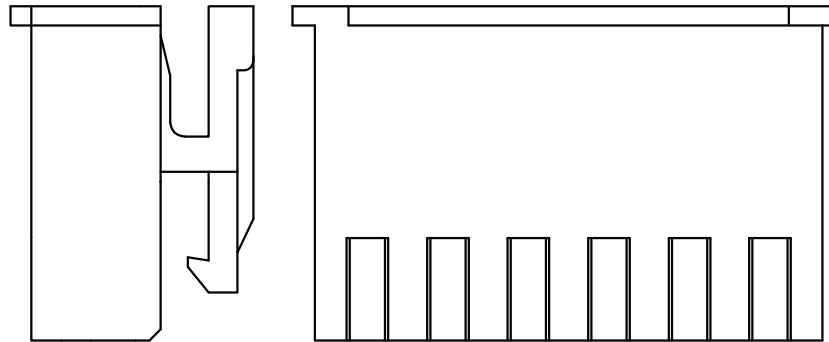
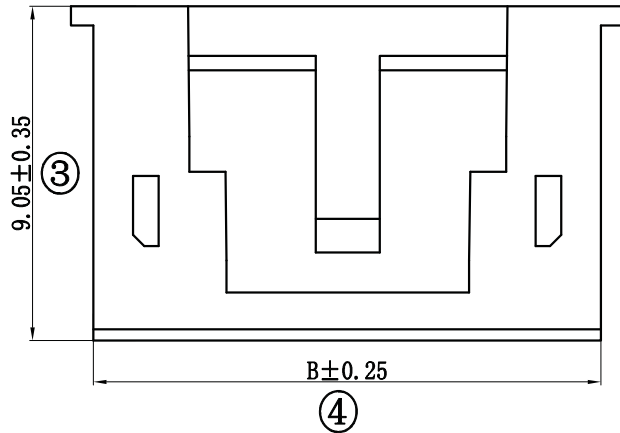
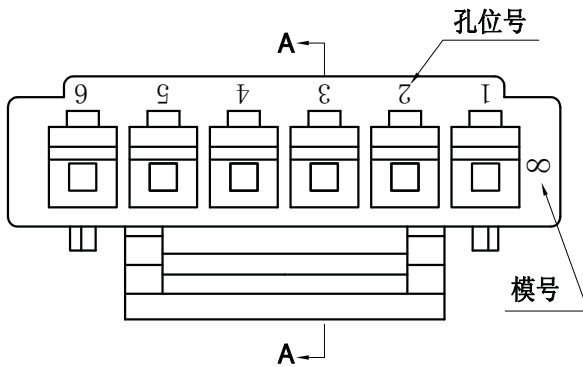
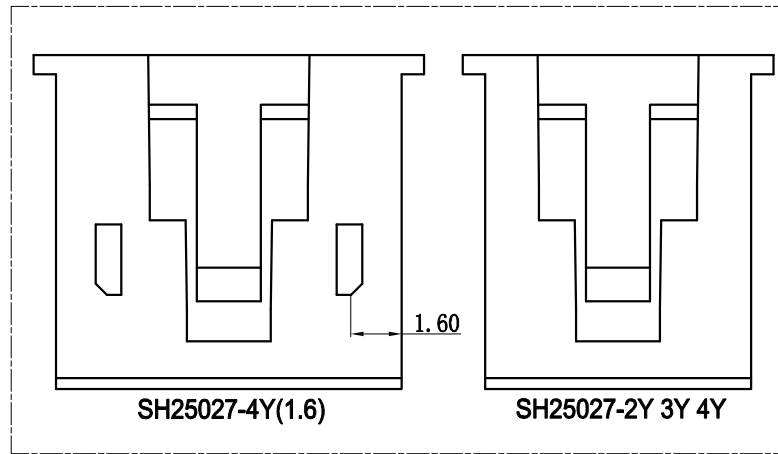
技术要求Specification:

- 1、材质Material: PA66 UL94V-0;
- 2、额定电流 Current rating:3.0A AC,DC
- 3、额定电压 Voltage rating: 250V AC,DC
- 4、温度范围 Temperature range:-25℃to+85℃
- 5、接触电阻 Contact resistance:≤20mΩ
- 6、绝缘电阻 Insulation resistance:≥1000MΩ
- 7、耐压 Withstand voltage:1000V AC/minute
- 8、塑件表面平整光洁, 无明显的毛刺、气泡、变形、浇口拉伤、缺料等不良现象。

Plastic surface smooth and clean, no obvious glitches, bubbles, distortion, gate strain, lack of material and other undesirable phenomena.

线数 poles	型号 Type	尺寸Dimensions mm	
		A	B
2	SH25027-2Y	2.50	5.80
3	SH25027-3Y	5.00	8.30
4	SH25027-4Y	7.50	10.80
5	SH25027-5Y	10.00	13.30
6	SH25027-6Y	12.50	15.80
7	SH25027-7Y	15.00	18.30
8	SH25027-8Y	17.50	20.80
9	SH25027-9Y	20.00	23.30
10	SH25027-10Y	22.50	25.80
11	SH25027-11Y	25.00	28.30
12	SH25027-12Y	27.50	30.80
13	SH25027-13Y	30.00	33.30
14	SH25027-14Y	32.50	35.80
15	SH25027-15Y	35.00	38.30
16	SH25027-16Y	37.50	40.80
17	SH25027-17Y	40.00	43.30

TOLERANCE UNLESS OTHERWISE SPECIFIED		*: Inspection Item					
.X±0.30	X.°±1°	(NO)	:Cp/Cpk and SPC Control Item				名称 TITLE
.XX±0.20	.X°±	材料 MATERIAL	PA66	编号 DWG NO.	BX-HA2.54-6PJK	单位 UNIT	mm
.XXX±0.10	.XX°±	料厚 THICK		比例 SCALE	1:1	版本 REV.	A
制图 DRAWIN		料宽 WIDE		角法 PROJ.		规格书	
审核 CHECKED		日期 DATE					
批准 APPROVE							



1 2 3 4 5 6 7 8

A

B

C

D

E

F

1 2 3 4 5 6 7 8