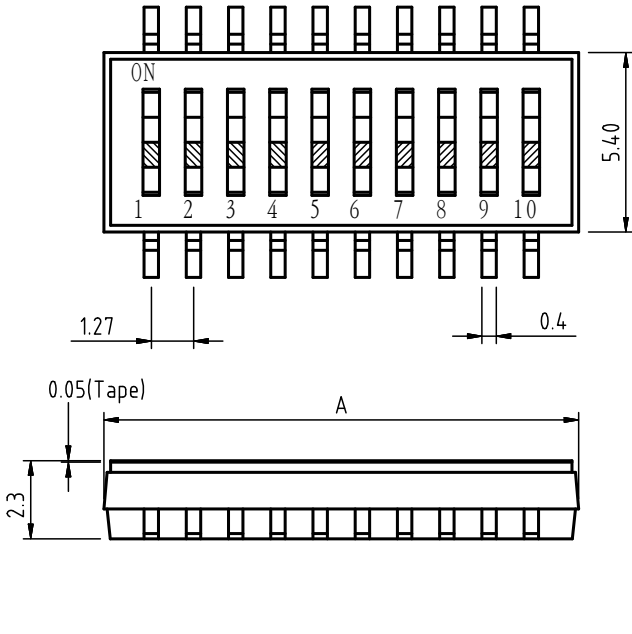
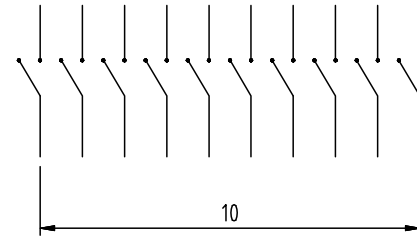


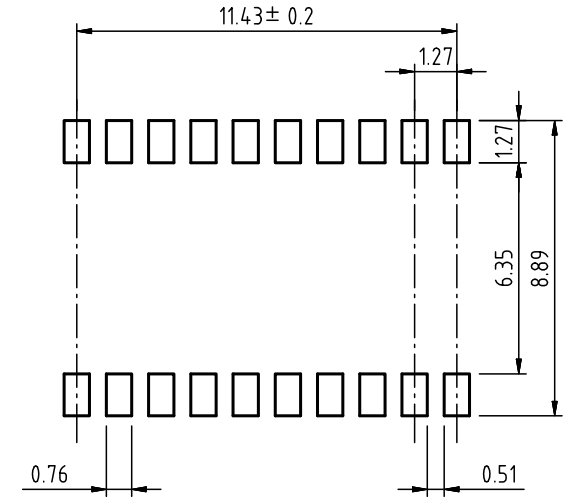
◆ DIMENSIONS



◆ SCHEMATIC



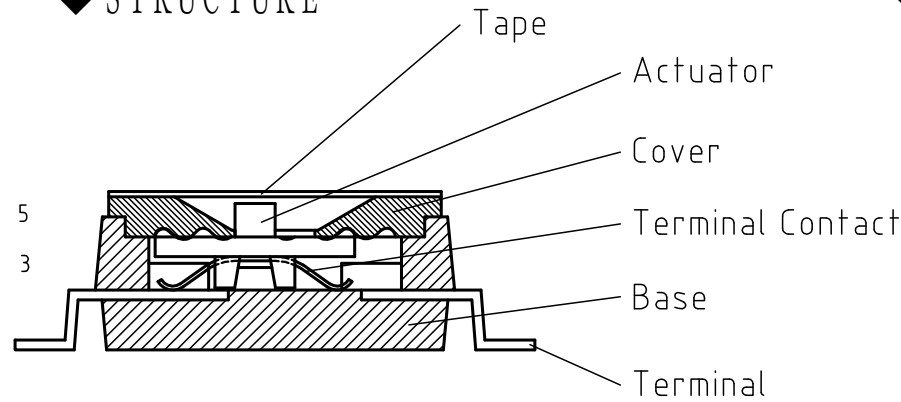
◆ P.C.B LAYOUT



Poles(N) A Dimension(mm)

01	2.87
02	4.12
03	5.41
04	6.66
05	7.93
06	9.20
08	11.74
10	14.28
TOLERANCE: ±0.1mm	

◆ STRUCTURE



◆ MATERIAL

Part Name	Material	Finished
Base	PPS UL94 V0	Black
Cover	PPS UL94 V0	Black
Actuator	Nylon UL94 V0	White
Movable	Beryllium	3μ" Gold
Terminal Contact	Brass	3μ" Gold
Terminal	Brass	3μ" Gold
Tape	Polyimide	Amber



Tolerance	Drawing		Date	01/02/06	Remark:
	Design		Ratio	4:1	
	Check	Yang	Unit	mm	
	Approved	Zhou qi			

Product	1.27 间距 2P 上机拨码开关
P/N	
Drawing No.	BX-DS1.27-2PTP