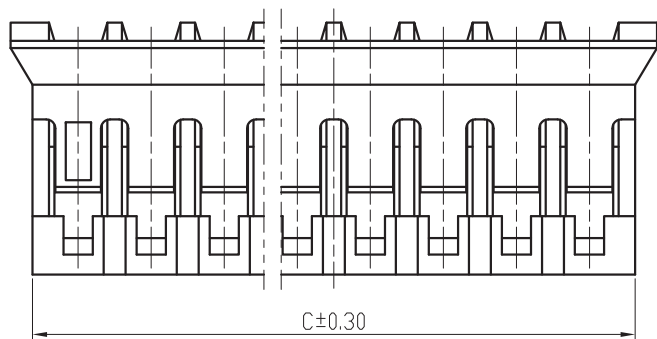
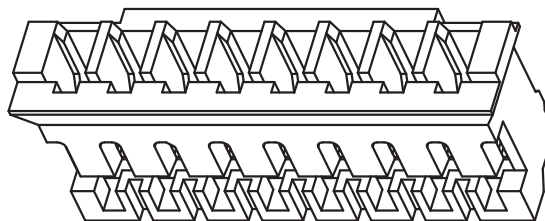
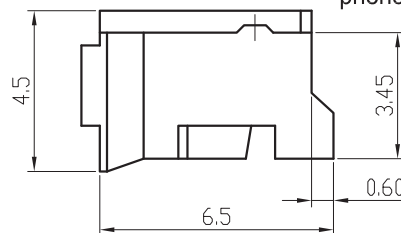
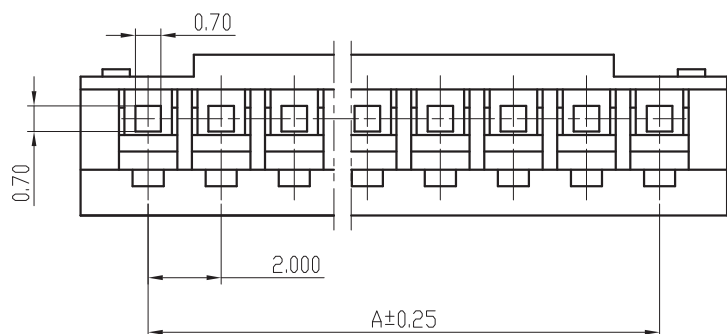
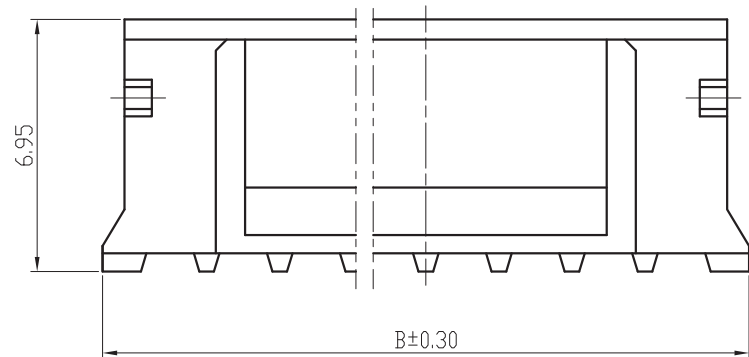


| 标记 MARK. | 更改内容 MODIFICATION | 日期 DATE | 修改 DRAW | 核准 APPROVE |
|-------------|----------------------|------------|------------|---------------|
| | | | | |
| | | | | |



技术要求Specification:

- 1、材质Material: PA66 UL94V-0;
- 2、额定电流 Current rating:2.0A AC,DC
- 3、额定电压 Voltage rating: 100V AC,DC
- 4、温度范围 Temperature range:-25℃to+85℃
- 5、接触电阻 Contact resistance:≤20mΩ
- 6、绝缘电阻 Insulation resistance:≥1000MΩ
- 7、耐压 Withstand voltage:800V AC/minute
- 8、塑件表面平整光洁, 无明显的毛刺、气泡、变形、浇口拉伤、缺料等不良现象。

Plastic surface smooth and clean, no obvious burrs, bubbles, distortion, gate strain, lack of material and other undesirable phenomena.

| 线数 | 型号 | 尺寸 | | |
|----|-------------|-------|-------|-------|
| | | A | B | C |
| 2 | SH20001-2Y | 2.00 | 5.70 | 4.50 |
| 3 | SH20001-3Y | 4.00 | 7.70 | 6.50 |
| 4 | SH20001-4Y | 6.00 | 9.70 | 8.50 |
| 5 | SH20001-5Y | 8.00 | 11.70 | 10.50 |
| 6 | SH20001-6Y | 10.00 | 13.70 | 12.50 |
| 7 | SH20001-7Y | 12.00 | 15.70 | 14.50 |
| 8 | SH20001-8Y | 14.00 | 17.70 | 16.50 |
| 9 | SH20001-9Y | 16.00 | 19.70 | 18.50 |
| 10 | SH20001-10Y | 18.00 | 21.70 | 20.50 |
| 11 | SH20001-11Y | 20.00 | 23.70 | 22.50 |
| 12 | SH20001-12Y | 22.00 | 25.70 | 24.50 |
| 13 | SH20001-13Y | 24.00 | 27.70 | 26.50 |
| 14 | SH20001-14Y | 26.00 | 29.70 | 28.50 |
| 15 | SH20001-15Y | 28.00 | 31.70 | 30.50 |
| 16 | SH20001-16Y | 30.00 | 33.70 | 32.50 |

| TOLERANCE UNLESS OTHERWISE SPECIFIED | | *: Inspection Item | | | | |
|--------------------------------------|---------------|-----------------------------|------------------------|-------------|---------------|---------------|
| .X±0.30 | X.° ±1° | Cp/Cpk and SPC Control Item | 材料 MATERIAL PA66 | | | 名称 TITLE |
| .XX±0.2 | .X° ± | | | 料厚 THICK | 编号 DWG NO. | BX-PH2.0-7PJk |
| .XXX±0.10 | .XX° ± | 料宽 WIDE | 比例 SCALE | 1:1 | 版本 REV. | A1 |
| 制图 DRAWIN | 审核 CHECKED | 日期 DATE | 角法 PROJ. | 规格书 | | |
| 批准 APPROVE | | | | | | |