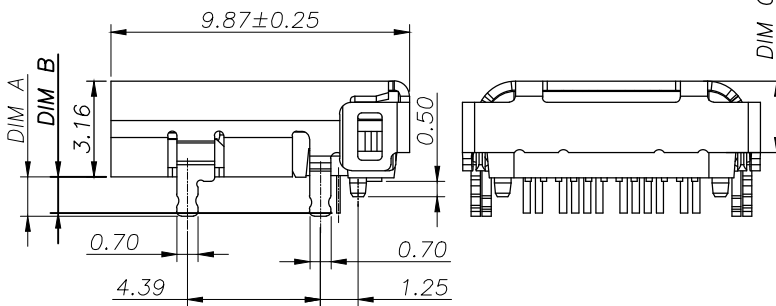
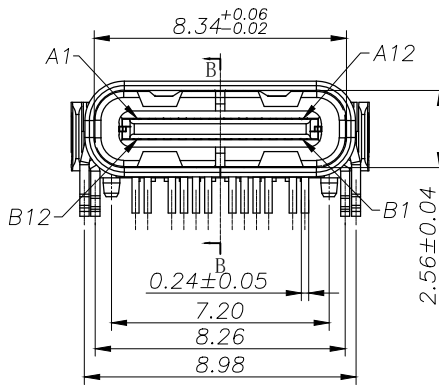
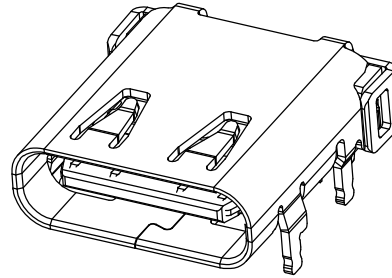
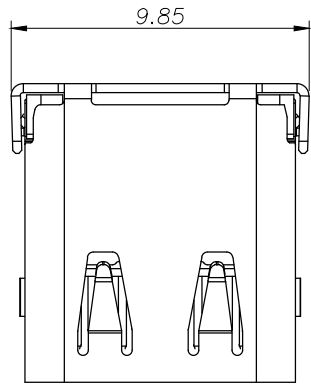
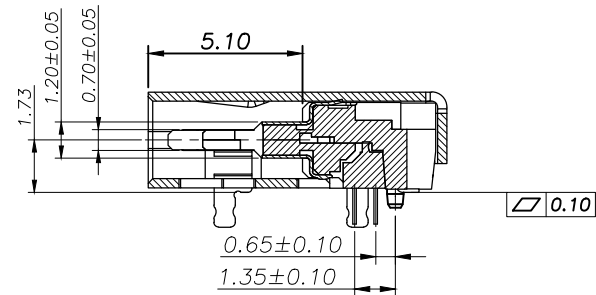


REV.	ECN NO.	DESCRIPTION	DATE	DESIGN
A	ECN NO.	INITIAL RELEASED		

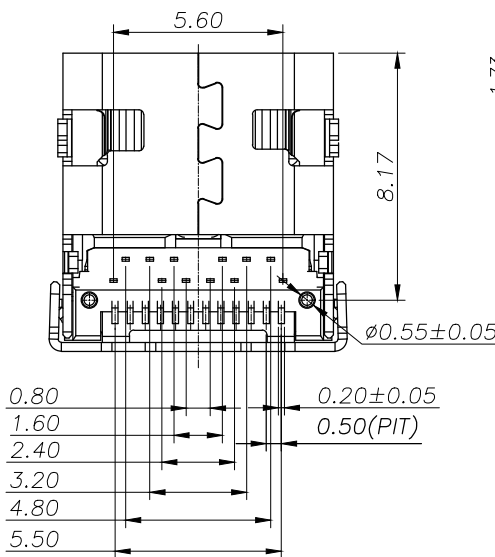


NOTE:

- MATERIAL SPECIFICATION:
  - HOUSING: HIGH TEMPERATURE RESISTANT PLASTIC, UL94 V-0.
  - CONTACTS: COPPER ALLOY
  - MID PLATE: STAINLESS STEEL
  - FRONT SHELL: STAINLESS STEEL
  - EMI PLATE: STAINLESS STEEL
- PLATING SPECIFICATION:
  - CONTACTS:
    - Ni 50u" MIN. UNDER PLATED OVER ALL.
    - Au PLATED ON THE FUNCTIONAL AREA OF CONTACT. (GOLD PLATING THICKNESS FOLLOW THE P/N)
  - FRONT SHELL: PLATING SPECIFICATIONS FOLLOW THE P/N
  - MID PLATE & EMI PLATE: CLEAR ONLY
- MECHANICAL PERFORMANCE,
  - INSERTION FORCE: 0.5~2.0kgf.
  - REMOVAL FORCE: 0.8kgf~2.0kgf.
  - DURABILITY: 10000 CYCLES.
- ELECTRICAL PERFORMANCE,
  - CURRENT RATING: 5.0A  
VOLTAGE RATING: 5.0V
  - LLCR:
    - VBUS & GND PINS AND OTHER PINS: 40mΩ/PIN MAX.
    - SHIELD: 50mΩ/MAX.
    - LLCR MAX. CHANGE OF ALL PINS: 10mΩ.
  - INSULATION RESISTANCE: 100MΩ MIN
  - DIELECTRIC WITHSTAND VOLTAGE, AC 100V FOR 1 MINUTE.
- ENVIRONMENTAL PERFORMANCE:
  - OPERATING TEMPERATURE: -25°C~+85°C.
- IR REFLOW:
  - THE PEAK TEMPERATURE ON THE BOARD SHALL BE MAINTAINED FOR 10 SECONDS AT 260°C.



SECTION B-B  
SCALE 1:1



TOLERANCE		NAME (INTENDED USE) CUSTOMER DRAWING			
X.X ±0.30	X.* ±10°	PART NO. BX-TYPE-C-Q-MWT24P			
.XX ±0.20	.X* ± 8°	DESIGN:	DRAWG NO. BX-TYPE-C-Q-MWT24P		
.XXX ±0.10	.XX* ± 5°	UNITS mm			
MATERILA	CHED:				
FINISH	APPD:				
			SCALE 1:1	SHEET 1/3	REV. A

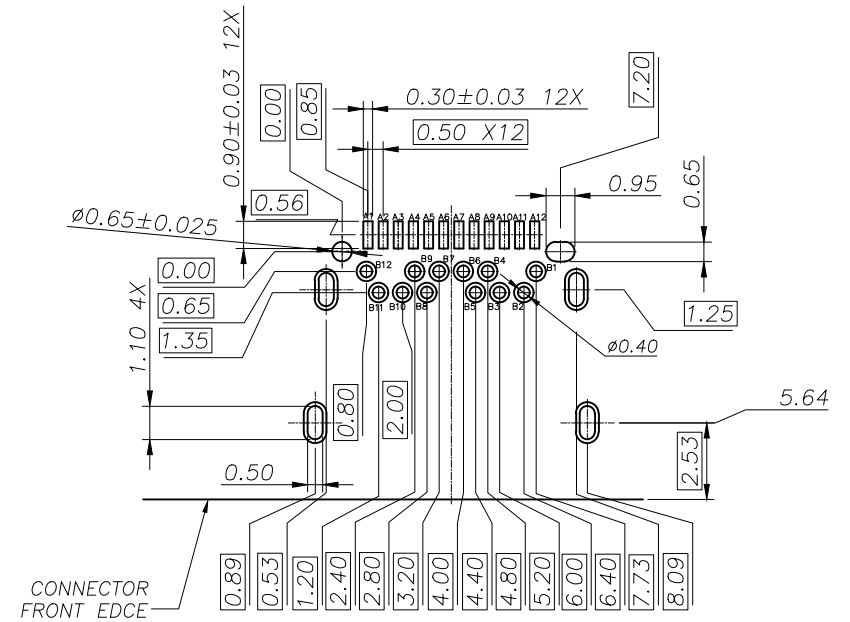
REV.	ECN NO.	DESCRIPTION	DATE	DESIGN
A	ECN NO.	INITIAL RELEASED		

TABLE 1

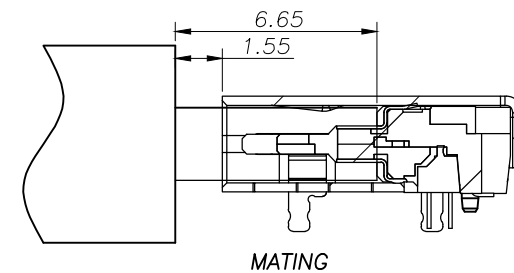
ITEM	P/N	DIM"A"	DIM"B"	DIM"C"	HOUSING CLOER	PLATING	
						MATING AREA	SOLDER AREA
1	ACF005-1E1H1A103-0HR	1.30	1.20	1.96	BALCK	Au:3u"	Au:G/F

USB TYPE-C PIN ASSIGNMENTS

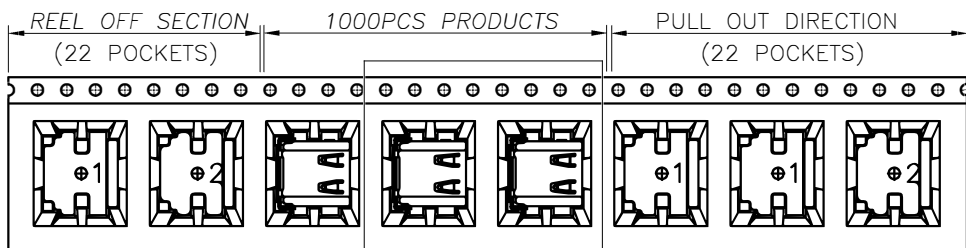
PIN NUMBER	SIGNAL NAME	PIN NUMBER	SIGNAL NAME
A1	GND	B12	GND
A2	TXp1+	B11	RXp1+
A3	TXn1-	B10	RXn1-
A4	Vbus	B9	Vbus
A5	CC1	B8	SBU2
A6	Dp1	B7	Dn2
A7	Dn1	B6	Dp2
A8	SBU1	B5	CC2
A9	Vbus	B4	Vbus
A10	RXn2-	B3	TXn2-
A11	RXp2+	B2	TXp2+
A12	GND	B1	GND



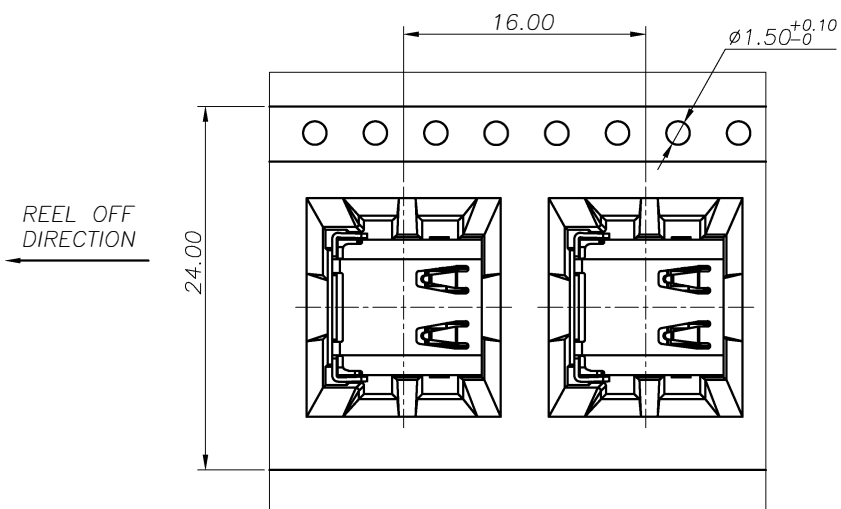
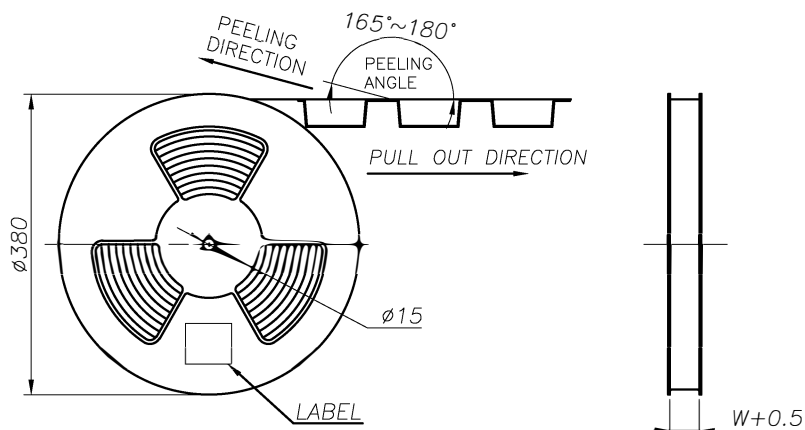
RECOMMENDED P.C.B. LAYOUT (T=1.00mm)  
TOLERANCE UNSPECIFIED ±0.05mm



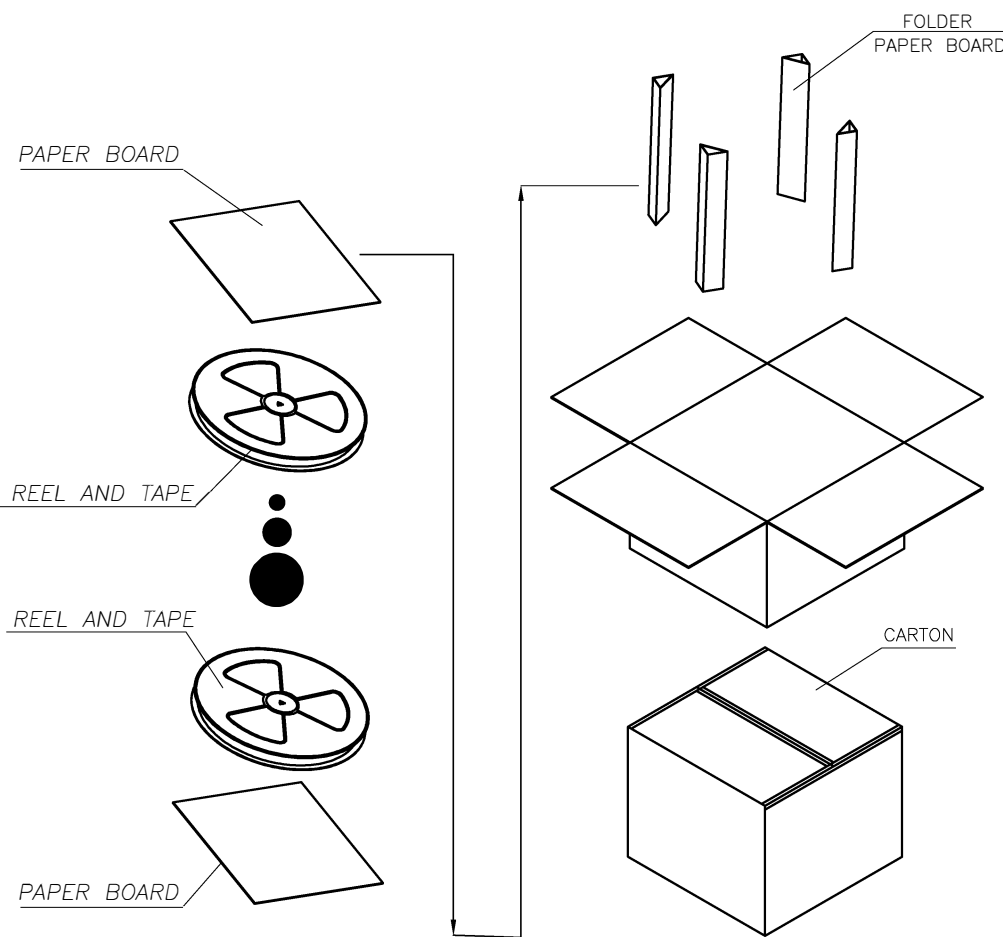
TOLERANCE		NAME(INTENDED USE) CUSTOMER DRAWING	Bossie (博锡)		
X.X ±0.30	X.* ±10°	PART NO.	TITLE: Type-C 母座 卧贴		
.XX ±0.20	.X* ± 8°	BX-TYPE-C-Q-MWT24P	DRAWG NO. BX-TYPE-C-Q-MWT24P		
.XXX ±0.10	.XX* ± 5°	DESIGN:			
UNITS	mm	CHED:			
MATERILA		APPD:			
FINISH			SCALE	SHEET	REV.
			1:1	2/3	A



SEE DETAIL X



REV.	ECN NO.	DESCRIPTION	DATE	DESIGN
A	ECN NO.	INITIAL RELEASED		



	REEL/TRAY	CARTON
CONNECTOR (PCS)	1000	10000

TOLERANCE		NAME(INTENDED USE) CUSTOMER DRAWING			
X.X	$\pm 0.30$	X.*			
.XX	$\pm 0.20$	.X*	$\pm 8^{\circ}$	BX-TYPE-C-Q-MWT24P	TITLE:
.XXX	$\pm 0.10$	.XX*	$\pm 5^{\circ}$	DESIGN:	DRAWG NO.
UNITS	mm	CHED:	BX-TYPE-C-Q-MWT24P		
MATERILA		APPD:	SCALE	SHEET	REV.
FINISH			1:1	3/3	A