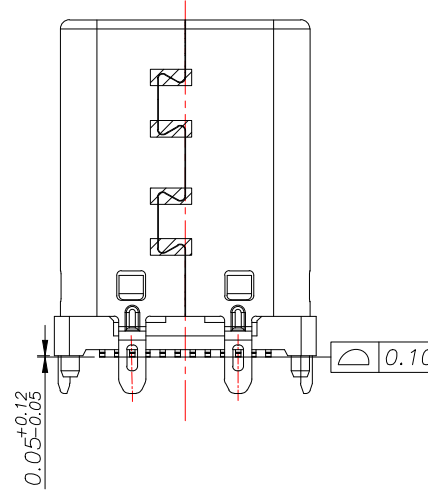
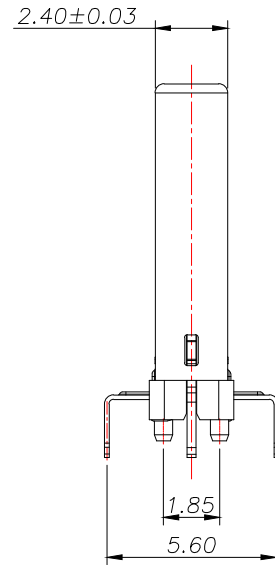
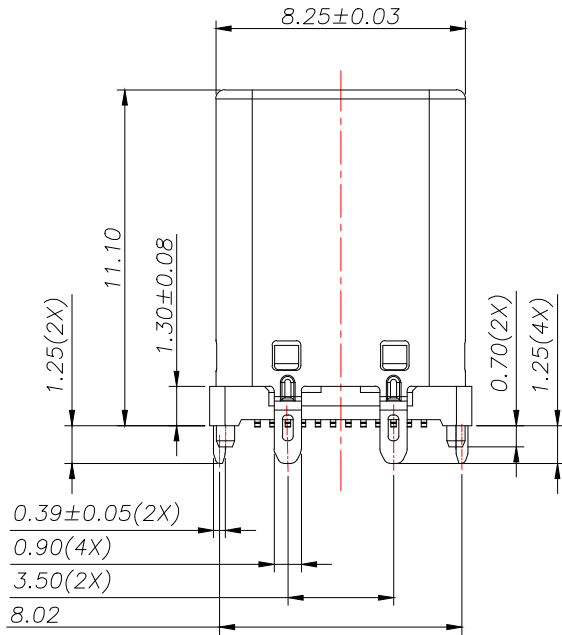
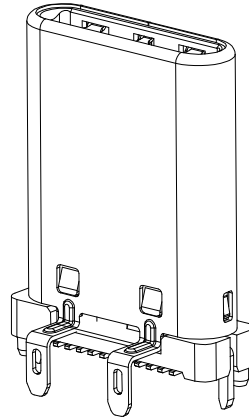
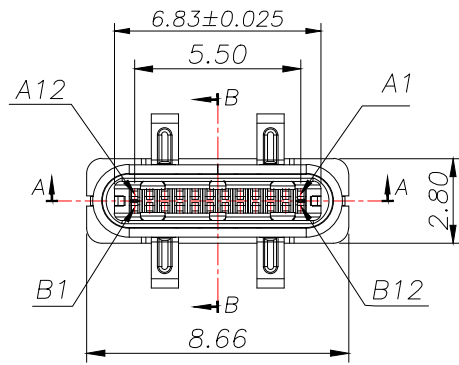
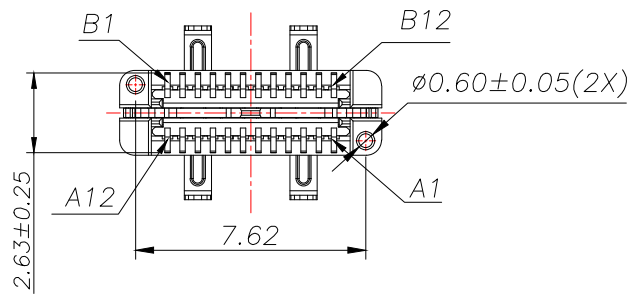


申明: 凡是没有产品料号或有“PRELIMINARY”标示的产品图均为临时图面暂不能生产/DECLARATION: ALL PRODUCT DRAWINGS WITHOUT THE PART NUMBER OR WITH "PRELIMINARY" LABEL ARE TEMPORARY DRAWINGS CAN NOT BE PRODUCED

REV.	ECN NO.	DESCRIPTION	DATE	DESIGN
A	ECN NO.	INITIAL RELEASED		
B	ECN NO.	UPDATE THE DRAWING		



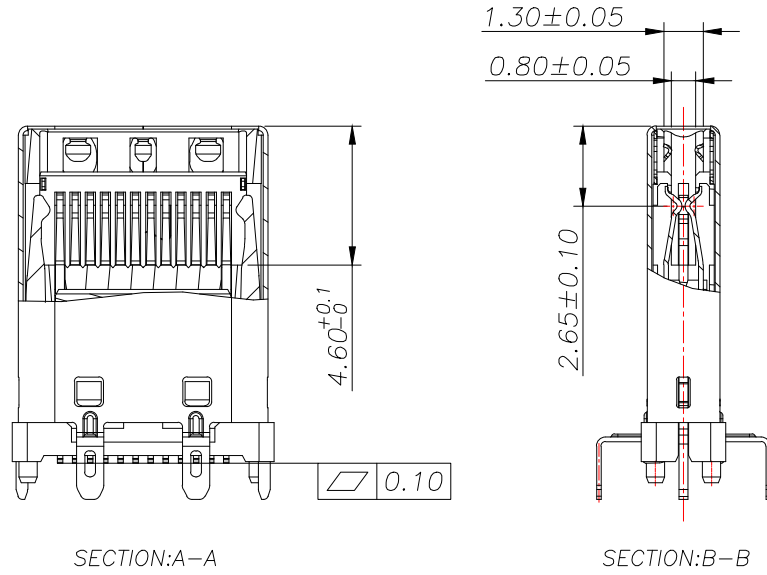
NOTE:
 1.MATERIAL SPECIFICATION:
 1.HOUSING&PICKUP COVER:LCP,UL94 V-0.
 2.CONTACTS: COPPER ALLOY(C7025)
 3.LATCH: STAINLESS STEEL(SUS301)
 4.SPRING: STAINLESS STEEL(SUS304)
 4.FRONT SHELL: STAINLESS STEEL(SUS304)
 2.PLATING SPECIFICATION:
 2-1.CONTACTS:
 Ni 50u" MIN. UNDER PLATED OVER ALL.
 Au PLATED ON THE FUNCTIONAL AREA OF CONTACT.
 (GOLD PLATING THICKNESS FOLLOW THE P/N)
 PLATING SPECIFICATIONS OF THE SOLDER AREA FOLLOW THE P/N
 2-2.FRONT SHELL:
 Ni 30u" MIN. UNDER PLATED OVER ALL.
 2-3.LATCH:
 Ni 50u" MIN. UNDER PLATED OVER ALL.
 80u" MIN. TIN PLATED ON SOLDER AREA.
 2-4.SPRING:
 CLEAR ONLY
 3.MECHANICAL PERFORMANCE,
 3-1.INSERTION FORCE: 0.5~2.0kgf.
 3-2.REMOVAL FORCE: 0.8kgf~2.0kgf.
 3-3.DURABILITY: 10000 CYCLES.
 4.ELECTRICAL PERFORMANCE,
 4-1. CURRENT RATING:3.0A
 VOLTAGE RATING:5.0V
 4-2. LLCR:
 VBUS & GND PINS AND OTHER PINS: 40mΩ/PIN MAX.
 SHIELD: 50mΩ/MAX.
 LLCR MAX. CHANGE OF ALL PINS: 10mΩ.
 4-3.INSULATION RESISTANCE: 100MΩ MIN
 4-4.DIELECTRIC WITHSTAND VOLTAGE,AC 100V FOR 1 MINUTE.
 5. ENVIRONMENTAL PERFORMANCE:
 OPERATING TEMPERATURE: -25°C~+85°C.
 6.IR REFLOW:
 THE PEAK TEMPERATURE ON THE BOARD SHALL
 BE MAINTAINED FOR 10 SECONDS AT 260°C



TOLERANCE		NAME(INTENDED USE) CUSTOMER DRAWING	Bossie (博锡)		
X.X	±0.30	X.°	±10°	PART NO. TITLE: Type-C 公头 立贴	
.XX	±0.20	.X.°	± 8°		
.XXX	±0.10	.XX.°	± 5°		
UNITS	mm	DESIGN:	DRAWG NO. BX-TYPE-C-GLT24P		
MATERIAL		CHED:			
FINISH		APPD:			
			SCALE	SHEET	REV.
			1:1	1/3	B

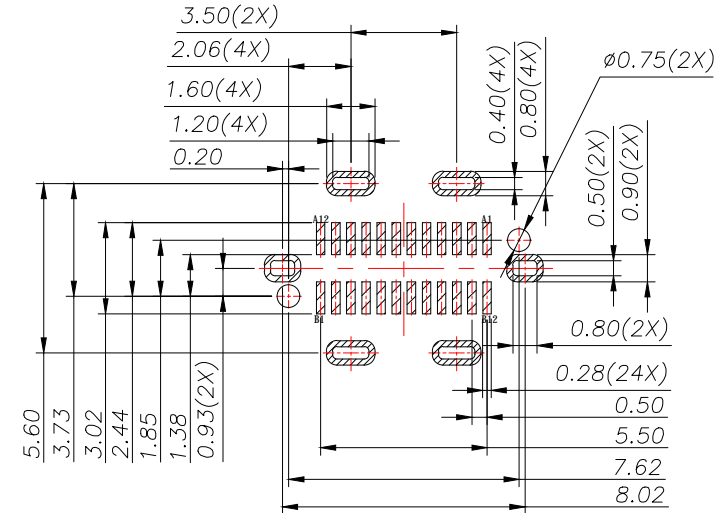
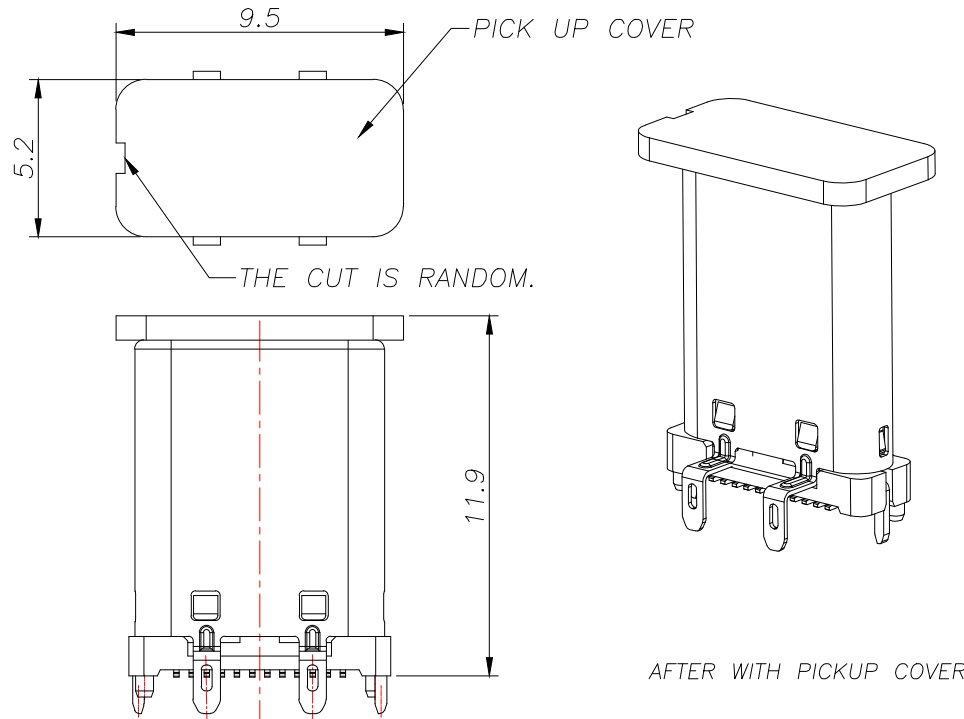
申明: 凡是没有产品料号或有“PRELIMINARY”标示的产品图均为临时图面暂不能生产/DECLARATION: ALL PRODUCT DRAWINGS WITHOUT THE PART NUMBER OR WITH "PRELIMINARY" LABEL ARE TEMPORARY DRAWINGS CAN NOT BE PRODUCED

REV.	ECN NO.	DESCRIPTION	DATE	DESIGN
A	ECN NO.	INITIAL RELEASED		
B	ECN NO.	UPDATE THE DRAWING		



USB TYPE-C PIN ASSIGNMENTS

PIN NUMBER	SIGNAL NAME	PIN NUMBER	SIGNAL NAME
A1	GND	B12	GND
A2	SSTXp1	B11	SSRXp1
A3	SSTXn1	B10	SSRXn1
A4	Vbus	B9	Vbus
A5	CC1	B8	SBU2
A6	Dp1	B7	Dn2
A7	Dn1	B6	Dp2
A8	SBU1	B5	CC2
A9	Vbus	B4	Vbus
A10	SSRXn2	B3	SSTXn2
A11	SSRXp2	B2	SSTXp2
A12	GND	B1	GND

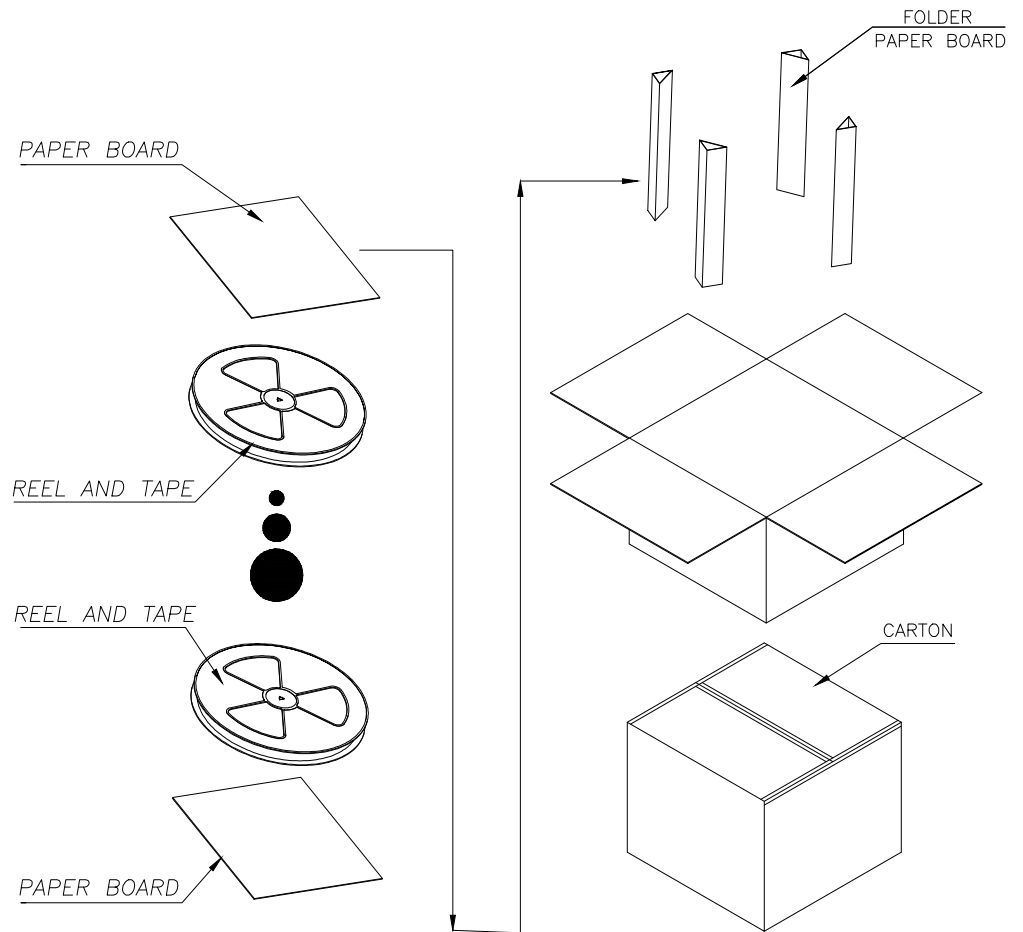
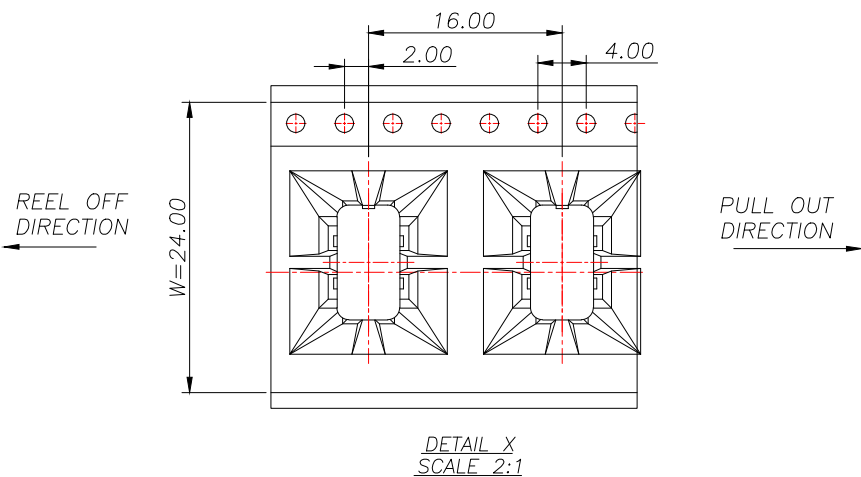
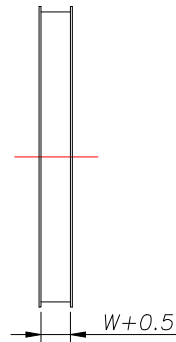
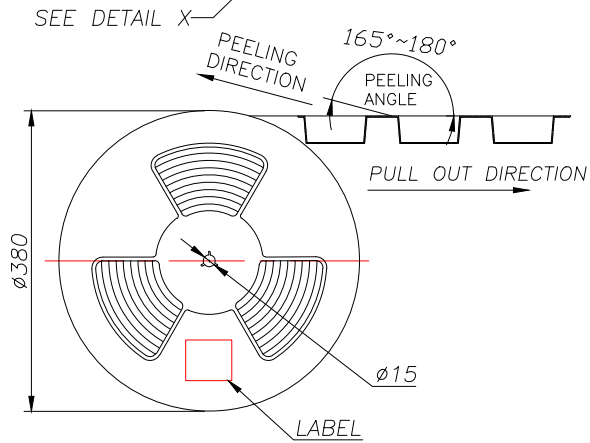
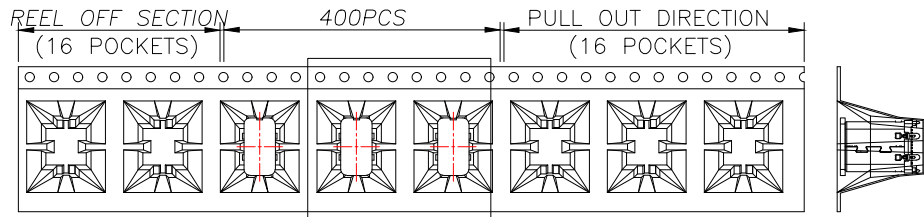


RECOMMENDED PCB LAYOUT(TOP VIEW)
THICKNESS 0.8±0.10MM;DEFAULT TOLERANCE:±0.05

TOLERANCE		NAME(INTENDED USE) CUSTOMER DRAWING	Bossie (博锡)		
X.X ±0.30	X.° ±10°	PART NO.	TITLE: Type-C 公头 立贴		
.XX ±0.20	.X° ± 8°	DESIGN:	DRAWG NO. BX-TYPE-C-GLT24P		
.XXX ±0.10	.XX° ± 5°	CHED:	SCALE	SHEET	REV.
UNITS	mm	APPD:	1:1	2/3	B
MATERILA					
FINISH					

申明: 凡是沒有產品料號或有“PRELIMINARY”標示的產品圖均為臨時圖面暫不能生產 / DECLARATION: ALL PRODUCT DRAWINGS WITHOUT THE PART NUMBER OR WITH "PRELIMINARY" LABEL ARE TEMPORARY DRAWINGS CAN NOT BE PRODUCED

REV.	ECN NO.	DESCRIPTION	DATE	DESIGN
A	ECN NO.	INITIAL RELEASED		
B	ECN NO.	UPDATE THE DRAWING		



	REEL/TRAY	CARTON
CONNECTOR (PCS)	400	4000

TOLERANCE		NAME(INTENDED USE) CUSTOMER DRAWING	Bossie (博锡)		
X.X	± 0.30	X. $^{\circ}$	$\pm 10^{\circ}$	PART NO.	
.XX	± 0.20	.X. $^{\circ}$	$\pm 8^{\circ}$	TITLE: Type-C 公头 立贴	
.XXX	± 0.10	.XX. $^{\circ}$	$\pm 5^{\circ}$	DRAWG NO. BX-TYPE-C-GLT24P	
UNITS	mm	DESIGN:	SCALE SHEET REV.		
MATERILA		CHED:	1:1	3/3	B
FINISH		APPD:			