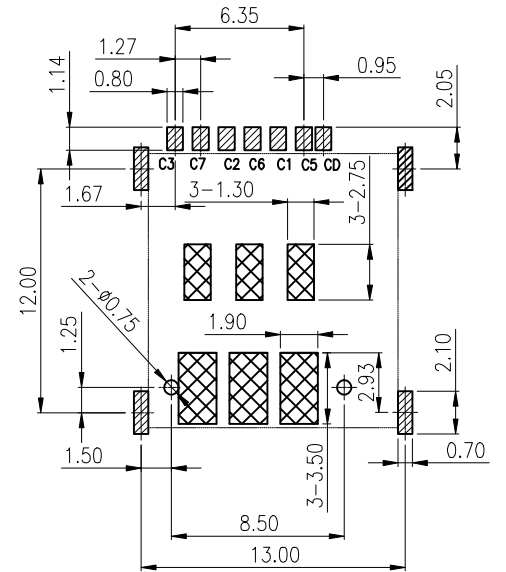
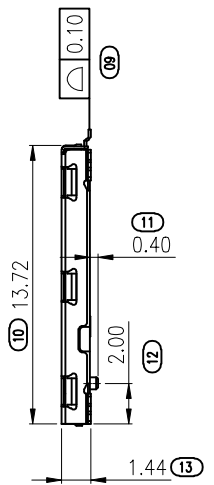
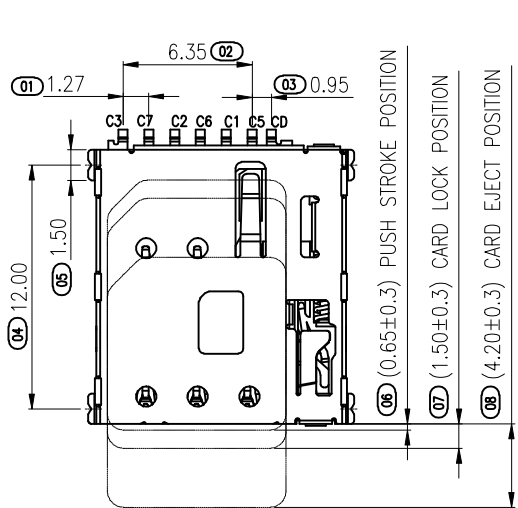
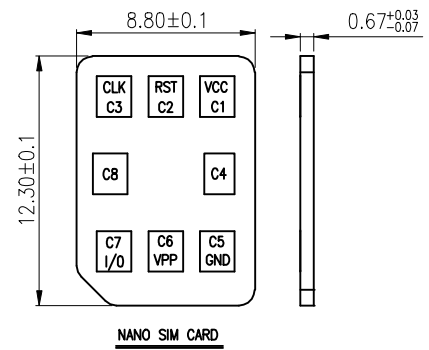
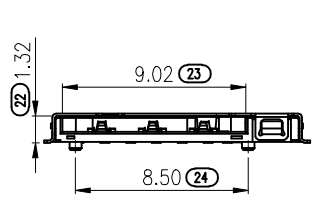
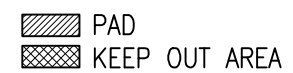


RoHS

REV.	EC#	DESCRIPTION	DATE	DRAWING	CHECKED	APPROVED
A0						



RECOMMENDED PCB LAYOUT
GENERAL TOLERANCE ±0.05

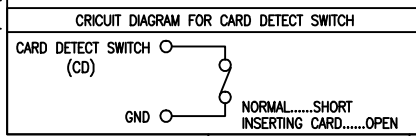


- NOTES:
- MATERIAL:**
HOUSING:HI-TEMP. PLASIC UL 94V-0
CONTACT:COPPER ALLOY
SHELL:STAINLESS STEEL
 - PLATING:**
TERMINAL:
CONTACT AREA: Au GOLD FLASH.
SOLDER AREA: AU GOLD FLASH.
UNDER PLATE: NICKEL.
SHELL: NICKEL PLATED OVER ALL.
SOLDER AREA: GOLD FLASH.
 - SPECIALITY:**
3.1 Rated current:1.0A
3.2 Rated voltage:30V
3.3 Contact Resistance:50mΩ MAX
3.4 Insulation Resistance:1000MΩ MIN 500V DC
3.5 Dielectric withstanding voltage:500V AC.
3.6 Solder ability:260±0/-5℃, 30±10s.
3.7 Durability:5000 Cycles Min.
3.8 Operating condition:Temperature-40℃~+85℃,
Humidity 80% R.H MAX

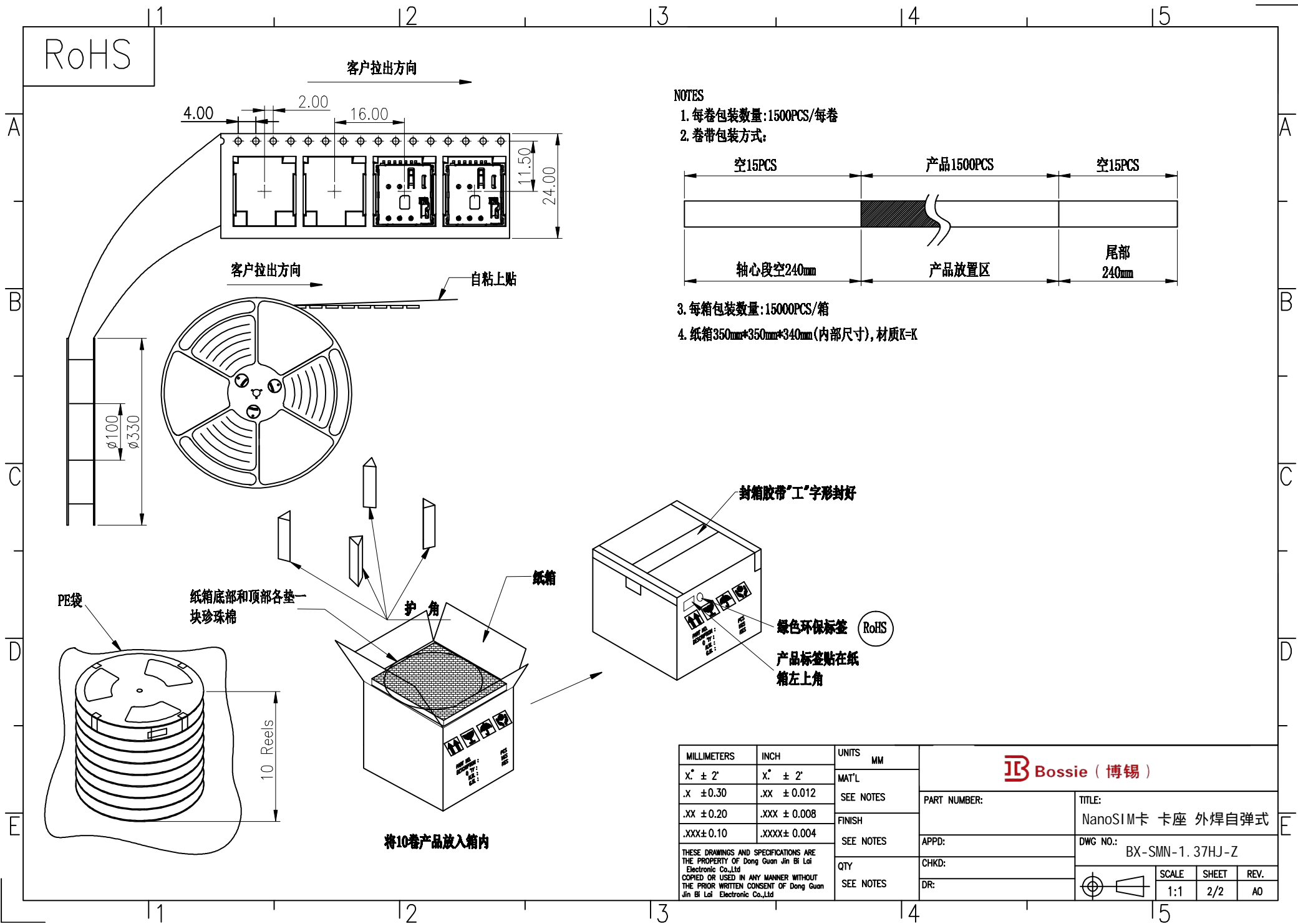
SIM pin Assignment		MILLIMETERS	INCH	UNITS
PIN#	Name	X. ^o ± Z ^o	X. ^o ± Z ^o	MM
C1	VCC	.X ± 0.30	.XX ± 0.012	MAT'L
C2	RST	.XX ± 0.20	.XXX ± 0.008	SEE NOTES
C3	CLK	.XXX± 0.10	.XXXX± 0.004	FINISH
C5	GND	THESE DRAWINGS AND SPECIFICATIONS ARE THE PROPERTY OF Dong Guan Jin Bi Lai Electronic Co.,Ltd		SEE NOTES
C6	VPP	COPIED OR USED IN ANY MANNER WITHOUT THE PRIOR WRITTEN CONSENT OF Dong Guan Jin Bi Lai Electronic Co.,Ltd		QTY
C7	I/O			SEE NOTES

Bossie (博锡)

PART NUMBER:		TITLE:	
		NanoSIM卡 卡座 外焊自弹式	
APPD:		DWG NO.:	
		BX-SMN-1.37HJ-Z	
CHKD:		SCALE	SHEET
DR:		1:1	1/2
			REV.
			A0



RoHS



NOTES

1. 每卷包装数量:1500PCS/每卷
2. 卷带包装方式:
3. 每箱包装数量:15000PCS/箱
4. 纸箱350mm*350mm*340mm(内部尺寸),材质K=K

封箱胶带“工”字形封好

绿色环保标签 RoHS
产品标签贴在纸箱左上角

将10卷产品放入箱内

MILLIMETERS	INCH	UNITS	Bossie (博锡)			
X. ± 2'	X. ± 2'	MM	PART NUMBER:		TITLE:	
.X ± 0.30	.XX ± 0.012	MAT'L			NanoSIM卡 卡座 外焊自弹式	
.XX ± 0.20	.XXX ± 0.008	SEE NOTES	APPD:		DWG NO.:	
.XXX ± 0.10	.XXXX ± 0.004	FINISH			BX-SMN-1. 37HJ-Z	
THESE DRAWINGS AND SPECIFICATIONS ARE THE PROPERTY OF Dong Guan Jin Bi Lai Electronic Co.,Ltd			QTY	CHKD:	SCALE SHEET REV.	
COPIED OR USED IN ANY MANNER WITHOUT THE PRIOR WRITTEN CONSENT OF Dong Guan Jin Bi Lai Electronic Co.,Ltd			SEE NOTES	DR:	1:1 2/2 A0	